

YANMAR

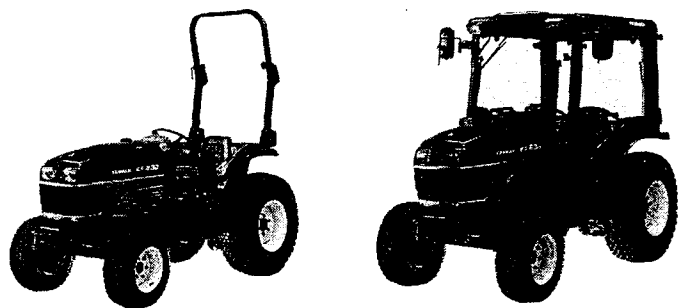


YANMAR

DIESEL TRACTOR

EF200H SERIES

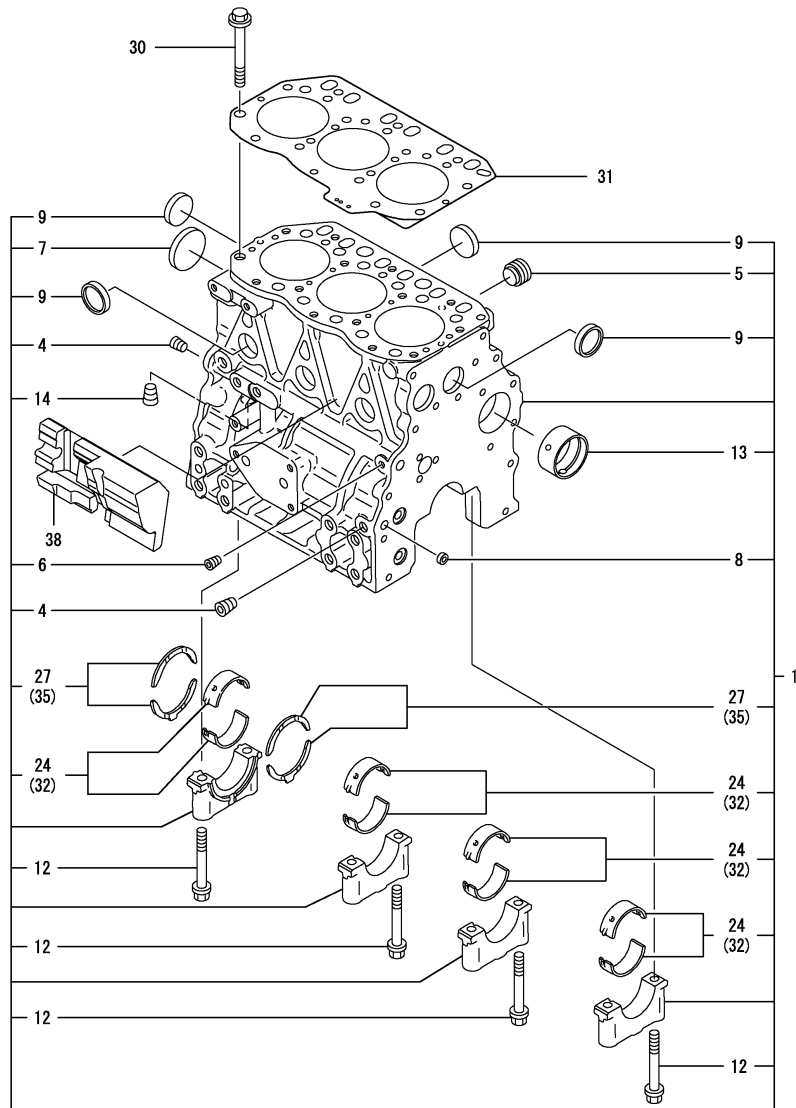
Onderdelen Boek



YANMAR AGRICULTURAL EQUIPMENT CO., LTD.

Fig.1. CYLINDER BLOCK

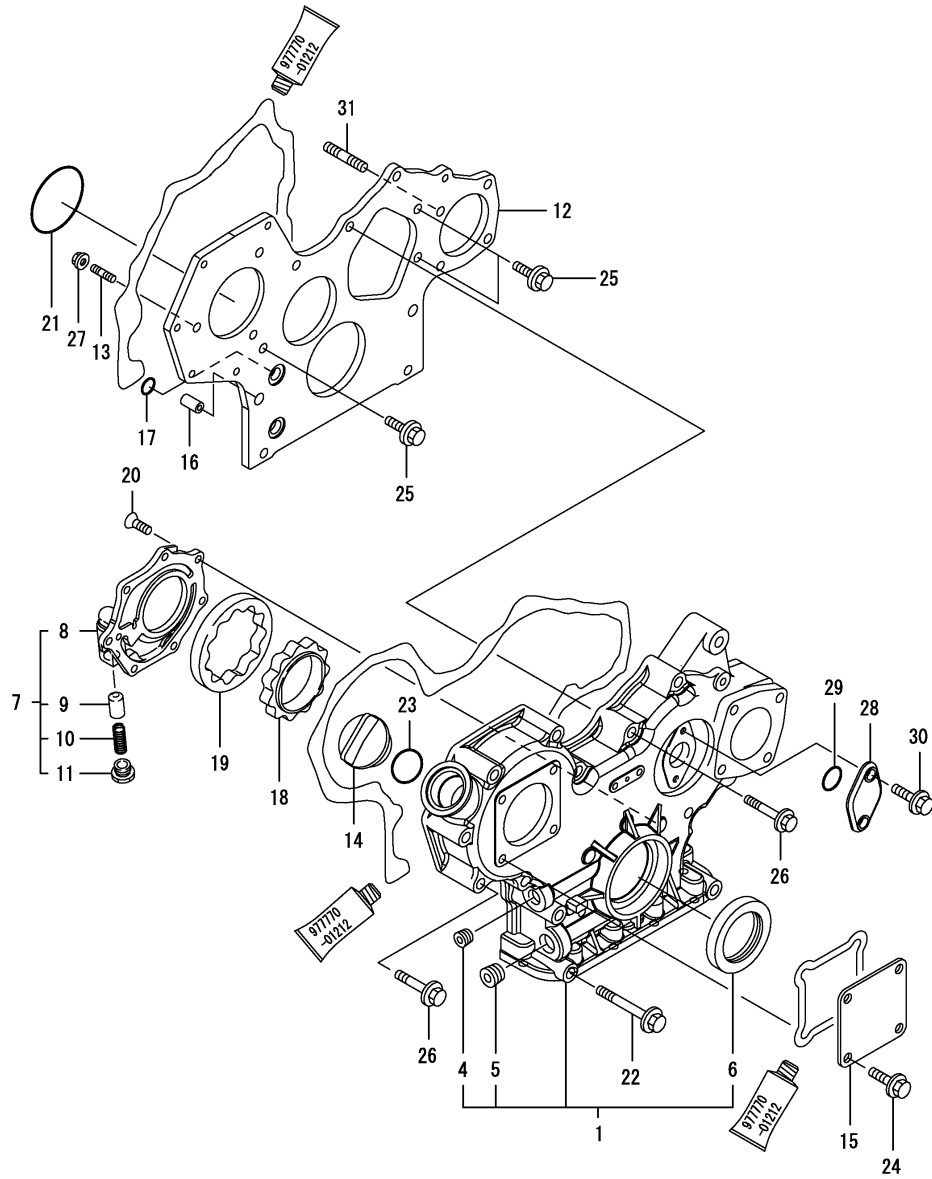
(A)=3TNV82A-NRE (D)=
 (B)= (E)=
 (C)= (F)=



REF.	LEV.	PARTS NO.	DESCRIPTION	QTY						I	R
				(A)	(B)	(C)	(D)	(E)	(F)		
1	1	719802-01560	BLOCK ASSY, CYLINDER	1							
4	2	124160-01910	PLUG PT1/4	2							
5	2	171051-01921	PLUG	1							
6	2	124060-01050	PLUG PT1/8	1							
7	2	129001-01250	PLUG 50	1							
8	2	27241-120000	PLUG 12	2							
9	2	27241-300000	PLUG 30	6							
12	2	119620-02020	BOLT	8							
13	2	129795-02411	BUSH, CAMSHAFT	1							
14	2	124160-01910	PLUG PT1/4	1							
24	2	719810-02980	METAL, MAIN (STD)	4							3
27	2	119810-02930	BEARING,THRUST(2PAIR	1							
30	1	119810-01200	BOLT, CYL. HEAD	14							
31	1	119812-01330	GASKET, HEAD	1							
32	1	119810-02870	MAIN BEARING US=0.25	4							1
35	1	119810-02940	BEARING,THRUST .25OS	2							2
38	1	119802-01190	SPACER	1							

Remarks
 (1) UNDER-SIZE(U.S=0.25)PART.
 (2) OVER-SIZE(O.S=0.25)PART.
 (3) REPAIR PART.
 (REMARKS)"EFFECTIVE MACHINE NO." OF
 ENGINE IS INDICATED ON THE
 ENGINE LABEL WHICH IS SHOWN
 IN FIG.4.

Fig.2. GEAR HOUSING



NPC-4319 2. GEAR HOUSING

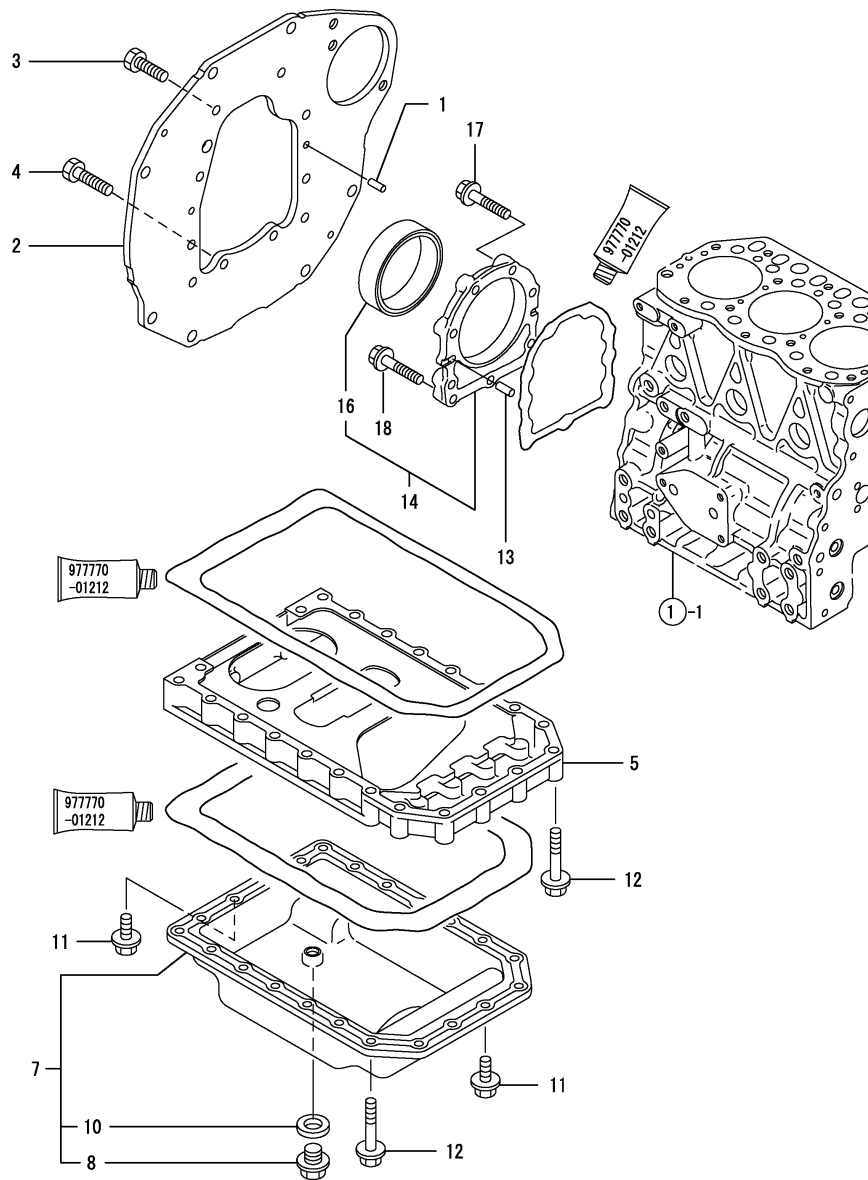
(A)=3TNV82A-NRE (D)=
 (B)= (E)=
 (C)= (F)=

REF.	LEV.	PARTS NO.	DESCRIPTION	QTY						I	R
				(A)	(B)	(C)	(D)	(E)	(F)		
1	1	729004-01500	HOUSING ASSY, GEAR	1							
4	2	23876-030000	PLUG PT3/8,SCREW	1							
5	2	23876-040000	PLUG PT 1/2	1							
6	2	129795-01800	SEAL, OIL	1							
7	1	119802-32100	COVER ASSY, PUMP	1							
8	2	119802-32070	COVER, LUB.OIL PUMP	1							
9	2	129900-32130	VALVE, RELIEF	1							
10	2	129418-32320	SPRING	1							
11	2	129001-32330	PLUG	1							
12	1	129004-01520	FRANGE, GEAR CASE	1							
13	1	119802-01560	STUD, M8X25	3							
14	1	124160-01751	COVER,FILLER	1							
15	1	124240-01871	COVER, HO-P	1							
16	1	129795-01950	PIPE, KNOCK L=18	2							
17	1	119609-32040	O-RING P16	4							
18	1	119802-32111	ROTOR, INNER	1							
19	1	119802-32120	ROTOR, OUTER	1							
20	1	119802-32130	SCREW, M6X16	7							
21	1	121850-51960	O-RING, F.I.PUMP	1							
22	1	129001-91841	BOLT M 8X 85 PLATED	3							
23	1	24311-000320	O-RING 1A P-32.0	1							
24	1	26106-080162	BOLT M 8X 16 PLATED	4							
25	1	26106-080162	BOLT M 8X 16 PLATED	3							
26	1	26106-080552	BOLT M 8X 55 PLATED	11							
27	1	26306-080002	NUT	3							
28	1	121023-01550	COVER, BLIND	1							
29	1	24341-000240	O-RING 1A S-24.0	1							
30	1	26106-060162	BOLT M 6X 16 PLATED	2							
31	1	129150-01580	STUD 8 X 30	1							

Remarks
 (REMARKS)"EFFECTIVE MACHINE NO." OF
 ENGINE IS INDICATED ON THE
 ENGINE LABEL WHICH IS SHOWN
 IN FIG.4.

(A)=3TNV82A-NRE (D)=
 (B)= (E)=
 (C)= (F)=

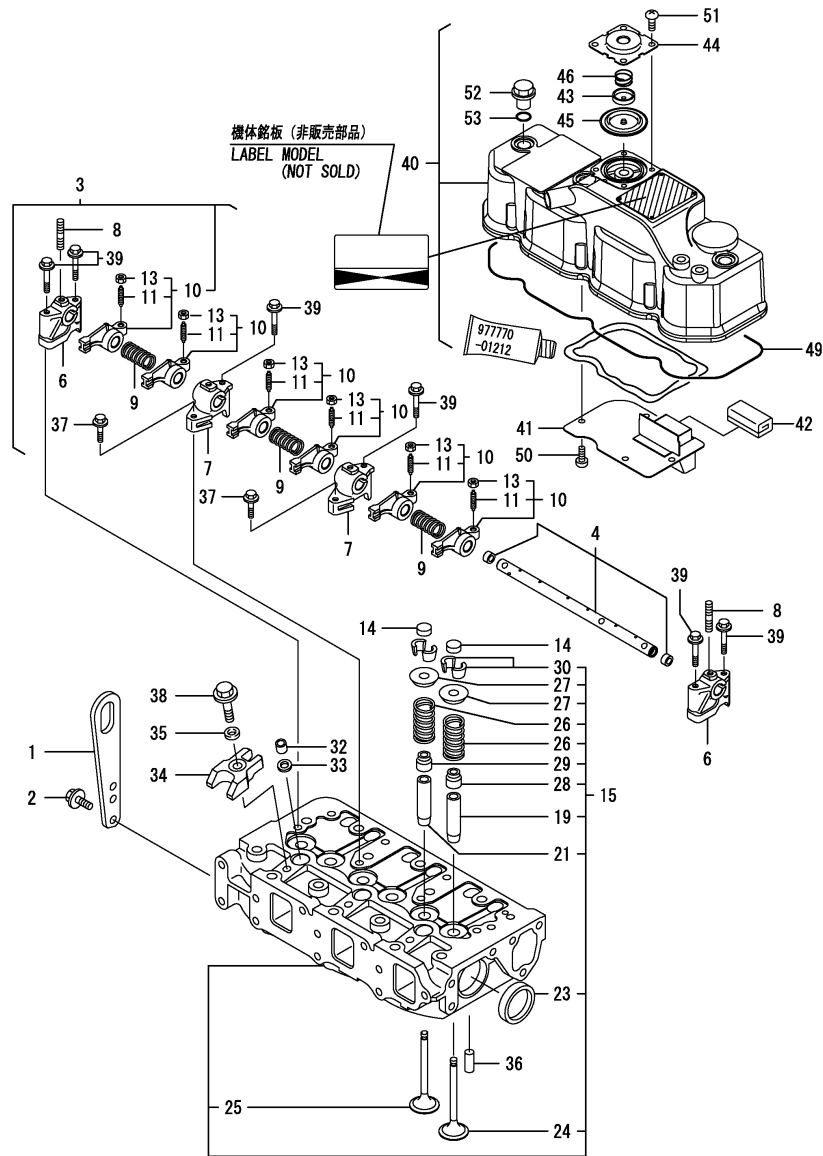
Fig.3. MOUNTING FLANGE & OIL SUMP



REF.	LEV.	PARTS NO.	DESCRIPTION	QTY						I	R	
				(A)	(B)	(C)	(D)	(E)	(F)			
1	1	129100-01580	PARALLEL PIN 8X16		2							
2	1	119852-01600	FLANGE, MOUNTING		1							
3	1	26206-100202	BOLT M10X20		6							
4	1	26206-100252	BOLT M10X25		4							
5	1	119810-01730	SPACER, L.O. SUMP		1							
7	1	119852-01770	SUMP, LUB.OIL		1							
8	2	129054-01640	DRAIN PLUG		1							
10	2	22190-120002	SEAL WASHER 12		1							
11	1	26106-080162	BOLT M 8X 16 PLATED		6							
12	1	26106-080452	BOLT M 8X 45 PLATED		22							
13	1	129100-01580	PARALLEL PIN 8X16		2							
14	1	129100-01640	CASE ASSY, OIL SEAL		1							
16	2	129795-01780	SEAL, OIL		1							
17	1	129486-01670	BOLT M8X30,COLLAR HD		6							
18	1	26106-080352	BOLT M 8X 35 PLATED		3							

Remarks
 (REMARKS)"EFFECTIVE MACHINE NO." OF
 ENGINE IS INDICATED ON THE
 ENGINE LABEL WHICH IS SHOWN
 IN FIG.4.

Fig.4. CYLINDER HEAD & BONNET

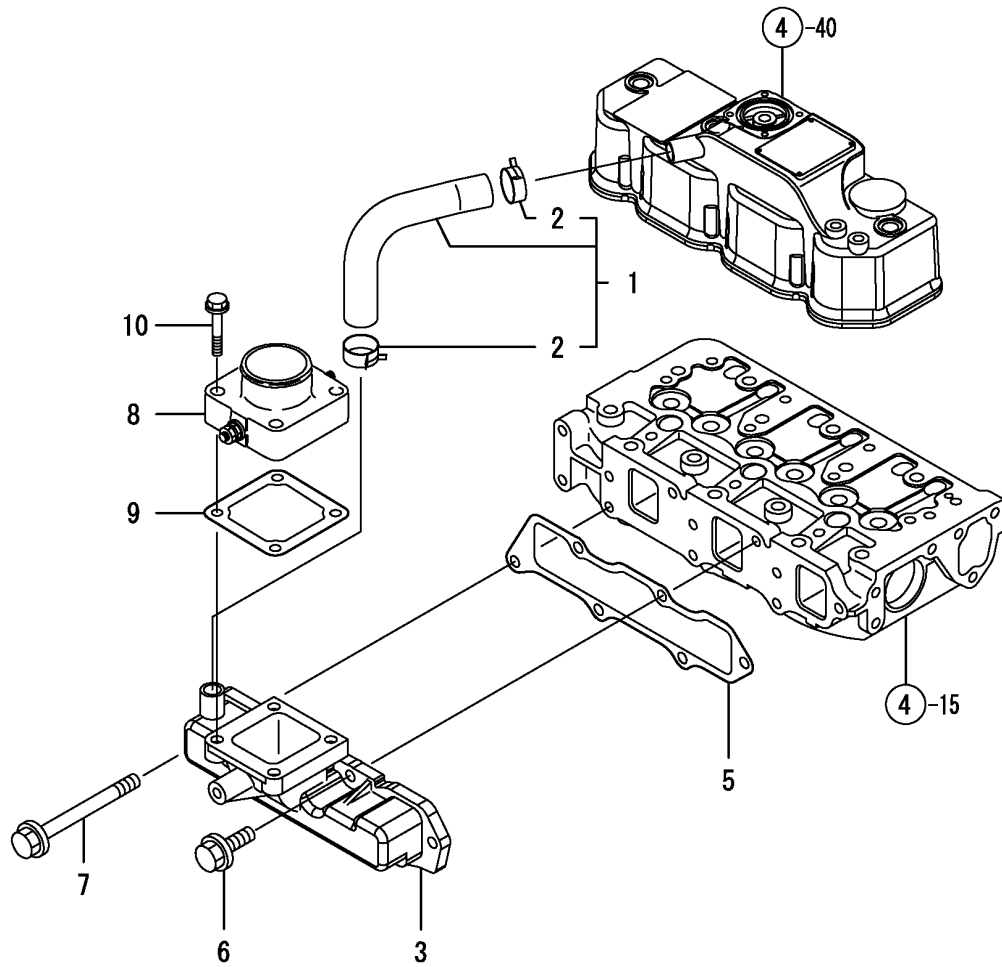


Remarks
 (1) REPAIR PART.
 (REMARKS)"EFFECTIVE MACHINE NO." OF
 ENGINE IS INDICATED ON THE
 ENGINE LABEL WHICH IS SHOWN
 IN FIG.4.

(A)=3TNV82A-NRE (D)=
 (B)= (E)=
 (C)= (F)=

REF.	LEV.	PARTS NO.	DESCRIPTION	QTY						I	R
				(A)	(B)	(C)	(D)	(E)	(F)		
1	1	129900-07900	LIFTER, ENGINE	1							
2	1	26106-080142	BOLT M 8X 14 PLATED	2							
3	1	119802-11241	SHAFT ASSY, ROCKER	1							
4	2	119802-11251	SHAFT, ROCKER ARM	1							
6	2	119802-11260	SUPPORT, ROCKER ARM	2							
7	2	119802-11270	SUPPORT, ROCKER ARM	2							
8	2	119802-11280	STUD	3							
9	2	129150-11280	SPRING	3							
10	2	119802-11650	ARM ASSY, ROCKER	6							
11	3	129150-11230	SCREW, VALVE	6							
13	3	129150-11750	NUT M8XP1.0	6							
14	1	104211-11370	CAP, VALVE	6							
15	1	119802-11700	HEAD ASSY, CYLINDER	1							
19	2	124060-11800	GUIDE, VALVE	3							1
21	2	119802-11810	GUIDE, VALVE	3							1
23	2	27241-400000	PLUG 40	2							
24	2	119802-11100	VALVE, INTAKE	3							
25	2	119802-11110	VALVE, EXHAUST	3							
26	2	119810-11120	SPRING, VALVE	6							
27	2	104211-11180	RETAINER, SPRING	6							
28	2	124160-11340	SEAL, VALVE STEM	3							
29	2	124950-11340	SEAL, VALVE STEM	3							
30	2	27310-070001	COTTER ASSY	6							
32	1	119802-11870	PROTECTOR, NOZZLE	3							
33	1	119625-11880	SEAT, NOZZLE	3							
34	1	119802-11900	RETAINER, NOZZLE	3							
35	1	120270-54410	WASHER	3							
36	1	22351-060012	SPRING PIN 6X12	2							
37	1	26106-080252	BOLT M 8X 25 PLATED	2							
38	1	26106-080452	BOLT M 8X 45 PLATED	3							
39	1	26106-080502	BOLT M 8X 50 PLATED	6							
40	1	119852-11350	BONNET ASSY, HEAD	1							
41	2	119802-03010	PLATE, BAFFLE	1							
42	2	129150-03070	BAFFLE, BREATHER	1							
43	2	119802-03110	PLATE, DIAPHRAGM	1							
44	2	119802-03121	COVER, DIAPHRAGM	1							
45	2	119802-03130	DIAPHRAGM	1							
46	2	119802-03141	SPRING, DIAPHRAGM	1							
49	2	119802-11310	GASKET, BONNET	1							
50	2	22857-500100	SCREW 5X10,TAPPING	4							
51	2	22857-500100	SCREW 5X10,TAPPING	4							
52	1	124160-11360	KNOB	3							
53	1	24311-000120	O-RING 1A P 12.0	3							

Fig.5. SUCTION MANIFOLD



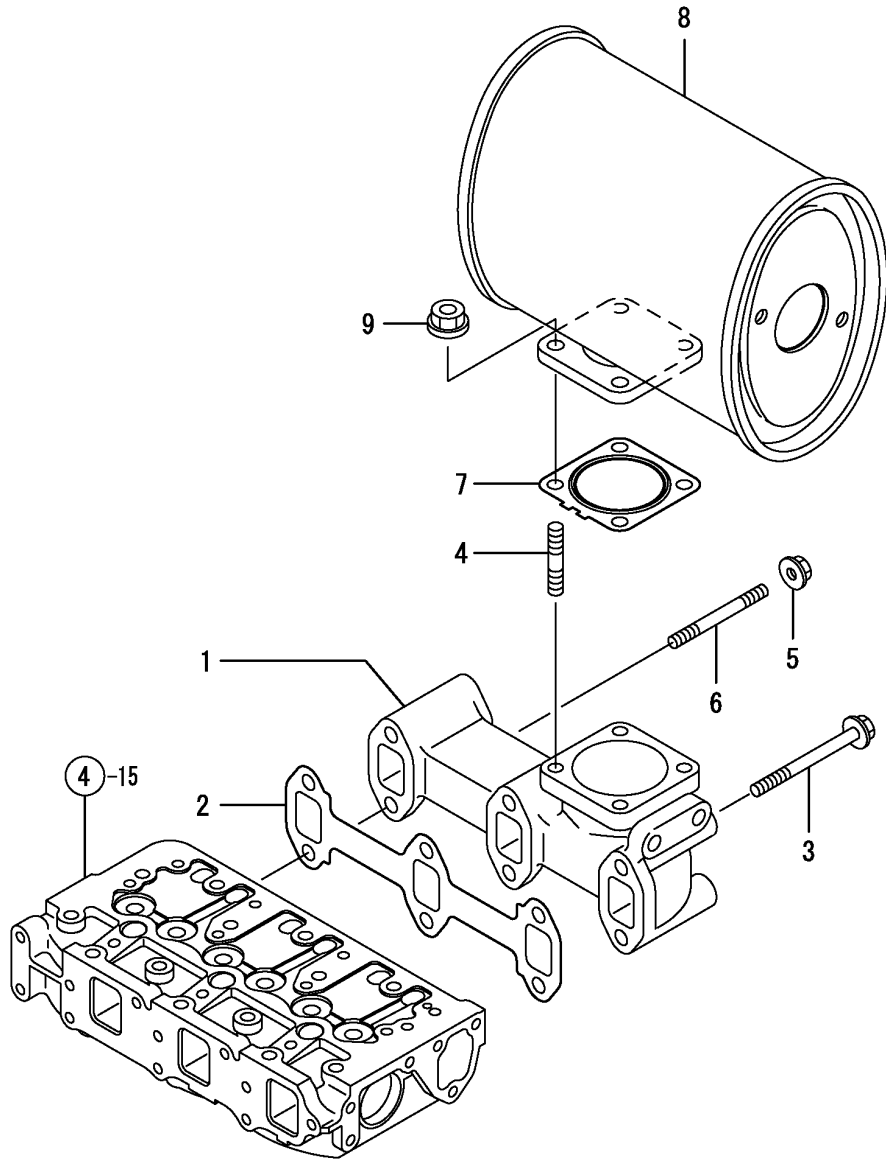
(A)=3TNV82A-NRE (D)=
 (B)= (E)=
 (C)= (F)=

REF.	LEV.	PARTS NO.	DESCRIPTION	QTY						I	R
				(A)	(B)	(C)	(D)	(E)	(F)		
1	1	129005-03080	PIPE, BREATHER	1							
2	2	129410-03990	CLAMP 24	2							
3	1	119802-12120	MANIFOLD, INTAKE	1							
5	1	119813-12110	GASKET,INT. MANIFOLD	1							
6	1	26106-080202	BOLT M 8X 20 PLATED	4							
7	1	26106-080802	BOLT M 8X 80 PLATED	2							
8	1	129120-77501	HEATER, AIR	1							
9	1	129150-77511	GASKET, (NON-ASB.)	1							
10	1	26106-080352	BOLT M 8X 35 PLATED	4							

Remarks
 (REMARKS)"EFFECTIVE MACHINE NO." OF
 ENGINE IS INDICATED ON THE
 ENGINE LABEL WHICH IS SHOWN
 IN FIG.4.

Fig.6. EXHAUST MANIFOLD & SILENCER

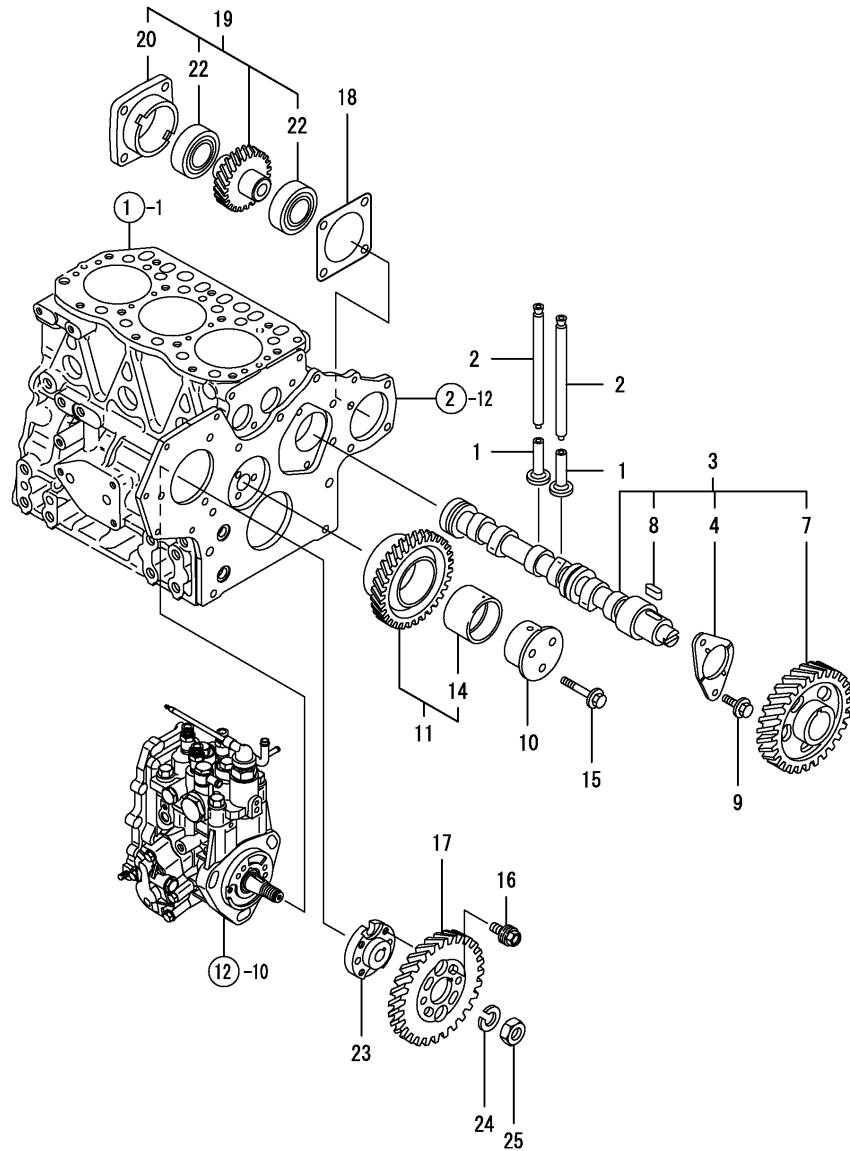
(A)=3TNV82A-NRE (D)=
 (B)= (E)=
 (C)= (F)=



REF.	LEV.	PARTS NO.	DESCRIPTION	QTY						I	R
				(A)	(B)	(C)	(D)	(E)	(F)		
1	1	119888-13101	MANIFOLD, EXHAUST	1							
2	1	119810-13110	GASKET, EXH.MANIFOLD	1							
3	1	119802-13640	BOLT, M8X60	4							
4	1	119131-18320	BOLT M 8X 22	4							
5	1	26306-080002	NUT	2							
6	1	119852-13220	STUD, M8X75	2							
7	1	129004-13200	GASKET, SILENCER	1							
8	1	119852-13520	SILENCER	1							
9	1	26306-080002	NUT	4							

Remarks
 (REMARKS)"EFFECTIVE MACHINE NO." OF
 ENGINE IS INDICATED ON THE
 ENGINE LABEL WHICH IS SHOWN
 IN FIG.4.

Fig.7. CAMSHAFT & DRIVING GEAR



NPC-4319 7. CAMSHAFT & DRIVING GEAR

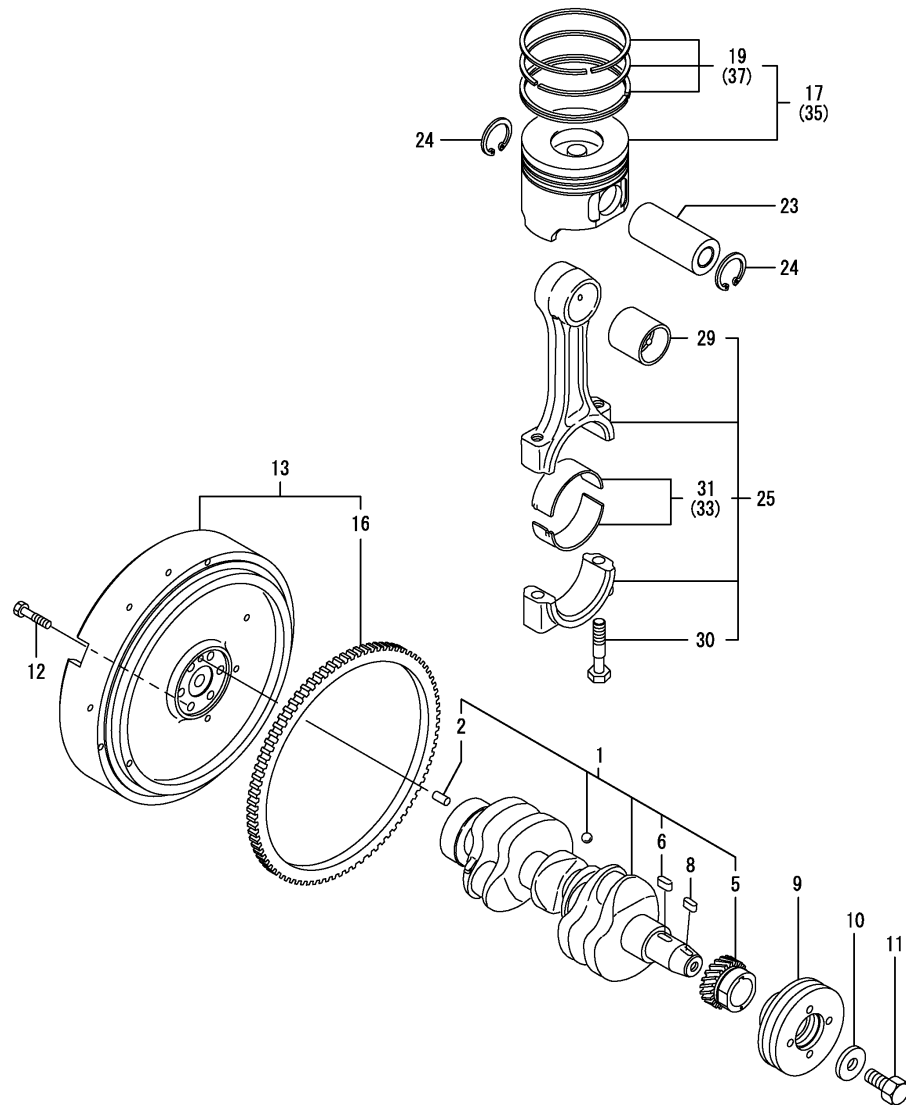
(A)=3TNV82A-NRE (D)=
 (B)= (E)=
 (C)= (F)=

REF.	LEV.	PARTS NO.	DESCRIPTION	QTY						I	R
				(A)	(B)	(C)	(D)	(E)	(F)		
1	1	129150-14200	TAPPET	6							
2	1	119810-14400	ROD, PUSH	6							
3	1	119802-14580	CAMSHFT ASSY	1							
4	2	129150-02450	METAL,THRUST(CAM	1							
7	2	129150-14101	GEAR, CAMSHAFT	1							
8	2	22512-070140	KEY 7X 14	1							
9	1	26106-080142	BOLT M 8X 14 PLATED	2							
10	1	119802-25051	SHAFT, IDLE GEAR	1							
11	1	119802-25100	GEAR ASSY, IDLE	1							
14	2	119802-25070	BUSH, IDLE GEAR	1							1
15	1	26106-080402	BOLT M 8X 40 PLATED	3							
16	1	129150-25301	BOLT,FI-P	4							
17	1	119802-25901	GEAR, PUMP	1							
18	1	129150-01881	GASKET, (NON ASB.)	1							
19	1	129150-26000	DRIVING SET, HO-PUMP	1							
20	2	129150-26050	BRACKET, HO-P	1							
22	2	24105-060064	BALL BEARING	2							
23	1	158552-51151	FLANGE	1							
24	1	22217-140000	SPRING WASHER 14	1							
25	1	26776-140002	LOCK NUT M14 PLATED	1							

Remarks
 (1) REPAIR PART.
 (REMARKS)"EFFECTIVE MACHINE NO." OF
 ENGINE IS INDICATED ON THE
 ENGINE LABEL WHICH IS SHOWN
 IN FIG.4.

Fig.8. CRANKSHAFT & PISTON

(A)=3TNV82A-NRE (D)=
 (B)= (E)=
 (C)= (F)=

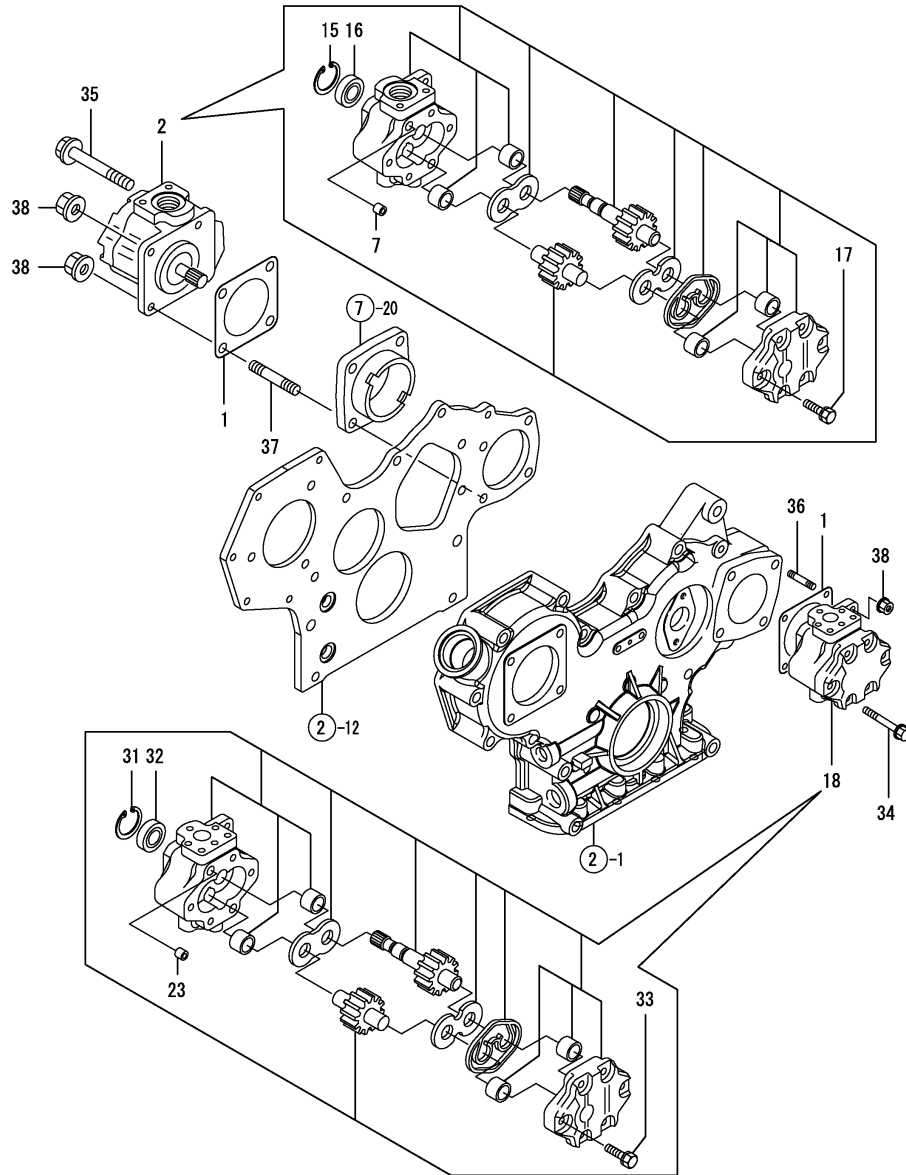


REF.	LEV.	PARTS NO.	DESCRIPTION	QTY						I	R
				(A)	(B)	(C)	(D)	(E)	(F)		
1	1	119802-21002	CRANKSHAFT ASSY	1							
2	2	129100-01580	PARALLEL PIN 8X16	1							
5	2	119802-21202	GEAR, CRANKSHAFT	1							
6	2	22512-070140	KEY 7X 14	1							
8	1	22512-070140	KEY 7X 14	1							
9	1	119852-21650	V-PULLEY, CRANKSHAFT	1							
10	1	129795-21661	WASHER	1							
11	1	121850-21680	BOLT, V-PULLEY	1							
12	1	121111-21501	BOLT, FLYWHEEL	6							
13	1	119852-21592	FLYWHEEL ASSY	1							
16	2	124550-21600	RING GEAR	1							
17	1	119802-22080	PISTON W/RING	3							
19	2	119802-22500	RING SET, PISTON	3							
23	1	119813-22300	PIN, PISTON	3							
24	1	129792-22400	CIRCLIP 23	6							
25	1	719810-23100	ROD ASSY, CONNECTING	3							
29	2	119810-23910	BUSH, PISTON PIN	3							1
30	2	119810-23200	BOLT, CONNECTING ROD	6							
31	2	119810-23600	BEARING, CRANKPIN	3							
33	1	119810-23610	BEARING, PIN U.S.=0.25	3							2
35	1	719802-22900	PISTON W/RING OS=.25	3							3
37	2	719802-22950	RING SET O.S.=0.25	3							3

Remarks
 (1) REPAIR PART.
 (2) UNDER-SIZE(U.S=0.25)PART.
 (3) OVER-SIZE(O.S=0.25)PART.
 (REMARKS)"EFFECTIVE MACHINE NO." OF
 ENGINE IS INDICATED ON THE
 ENGINE LABEL WHICH IS SHOWN
 IN FIG.4.

Fig.9. HYDRAULIC PUMP

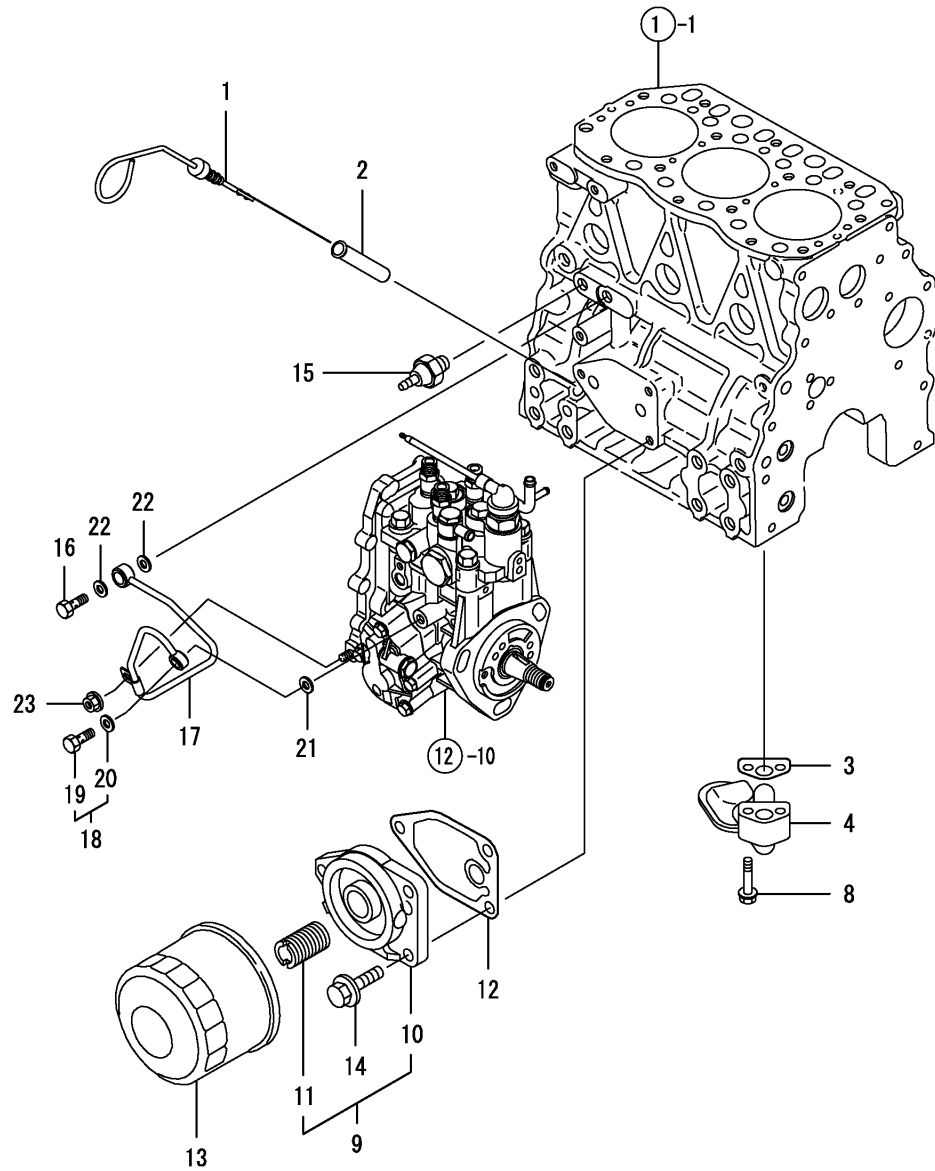
(A)=3TNV82A-NRE (D)=
 (B)= (E)=
 (C)= (F)=



REF.	LEV.	PARTS NO.	DESCRIPTION	QTY						I	R
				(A)	(B)	(C)	(D)	(E)	(F)		
1	1	124240-01883	GASKET, (NON-ASB.)	2							
2	1	198172-41110	PUMP, HYDRAULIC	1							
7	2	194521-41570	PIN 11X7	2							
15	2	22252-000320	CIRCLIP 32	1							
16	2	24421-153207	SEAL TC15 32 07, OIL	1							
17	2	26016-080352	BOLT M 8X 35	4							
18	1	198280-41150	PUMP ASSY, HYD. OIL	1							
23	2	194521-41570	PIN 11X7	2							
31	2	22252-000320	CIRCLIP 32	1							
32	2	24421-153207	SEAL TC15 32 07, OIL	1							
33	2	26016-080352	BOLT M 8X 35	4							
34	1	26106-080802	BOLT M 8X 80 PLATED	2							
35	1	26106-080952	BOLT M 8X 95 PLATED	2							
36	1	26216-080222	STUD M 8X 22 PLATED	2							
37	1	26216-080402	STUD M 8X 40 PLATED	1							
38	1	26306-080002	NUT	4							

Remarks
 (REMARKS)"EFFECTIVE MACHINE NO." OF
 ENGINE IS INDICATED ON THE
 ENGINE LABEL WHICH IS SHOWN
 IN FIG.4.

Fig.10. LUB.OIL SYSTEM

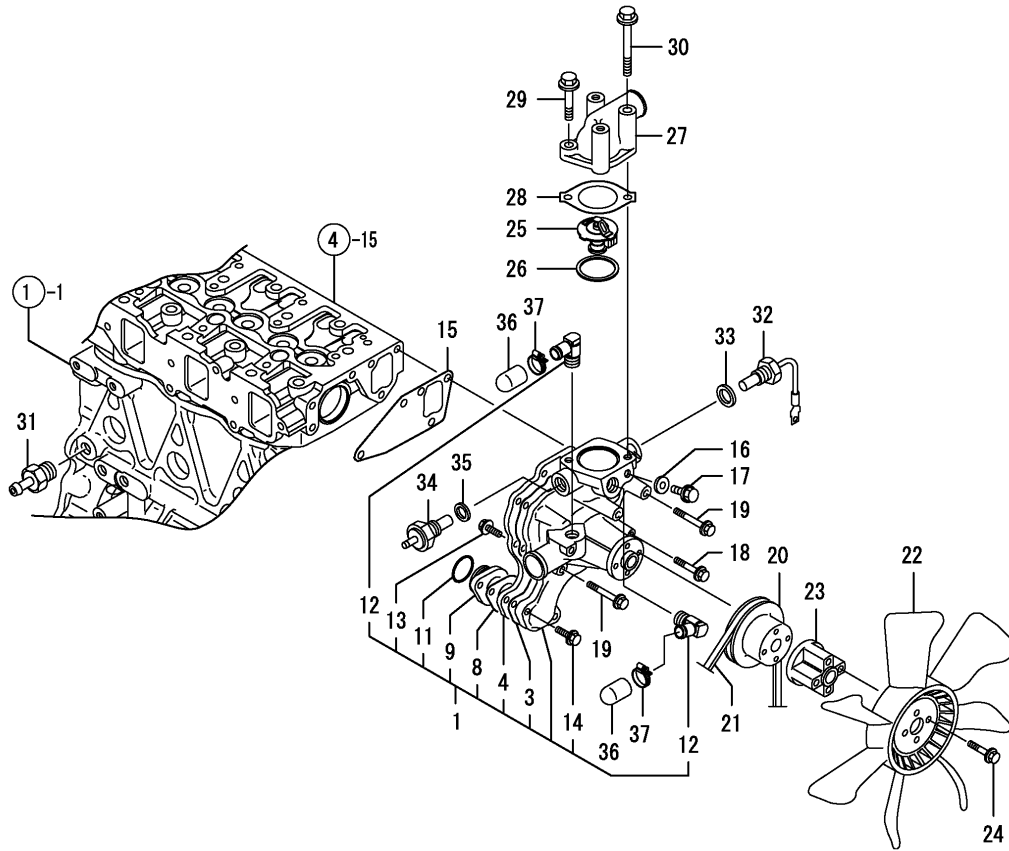


Remarks
 (REMARKS)"EFFECTIVE MACHINE NO." OF
 ENGINE IS INDICATED ON THE
 ENGINE LABEL WHICH IS SHOWN
 IN FIG.4.

(A)=3TNV82A-NRE (D)=
 (B)= (E)=
 (C)= (F)=

REF.	LEV.	PARTS NO.	DESCRIPTION	QTY						I	R
				(A)	(B)	(C)	(D)	(E)	(F)		
1	1	119852-34811	DIPSTICK, LUB.OIL	1							
2	1	121520-34810	GUIDE, DIPSTICK	1							
3	1	129150-35042	GASKET, (NON-ASB.)	1							
4	1	119810-35401	PIPE ASSY, OIL INLET	1							
8	1	26106-080352	BOLT M 8X 35 PLATED	2							
9	1	119802-35100	BRACKET ASSY, FILTER	1							
10	2	119802-35110	BRACKET, FILTER	1							
11	2	129100-35140	STUD	1							
12	1	129150-35111	GASKET, (NON-ASB.)	1							
13	1	129150-35152	FILTER 80X80L	1							
14	1	26106-080202	BOLT M 8X 20 PLATED	3							
15	1	114250-39450	SWITCH,(0.5KG)L.O.	1							
16	1	124160-39140	BOLT 10, PIPE JOINT	1							
17	1	119802-39450	PIPE ASSY, LUB. OIL	1							
18	1	129005-59830	BOLT ASSY, JOINT	1							
19	2	23857-030000	JOINT BOLT 3	1							
20	2	22190-080002	SEAL WASHER 8S	1							
21	1	22190-080002	SEAL WASHER 8S	1							
22	1	22190-100002	SEAL WASHER 10S	2							
23	1	26366-060002	NUT M 6	1							

Fig.11. COOLING WATER SYSTEM



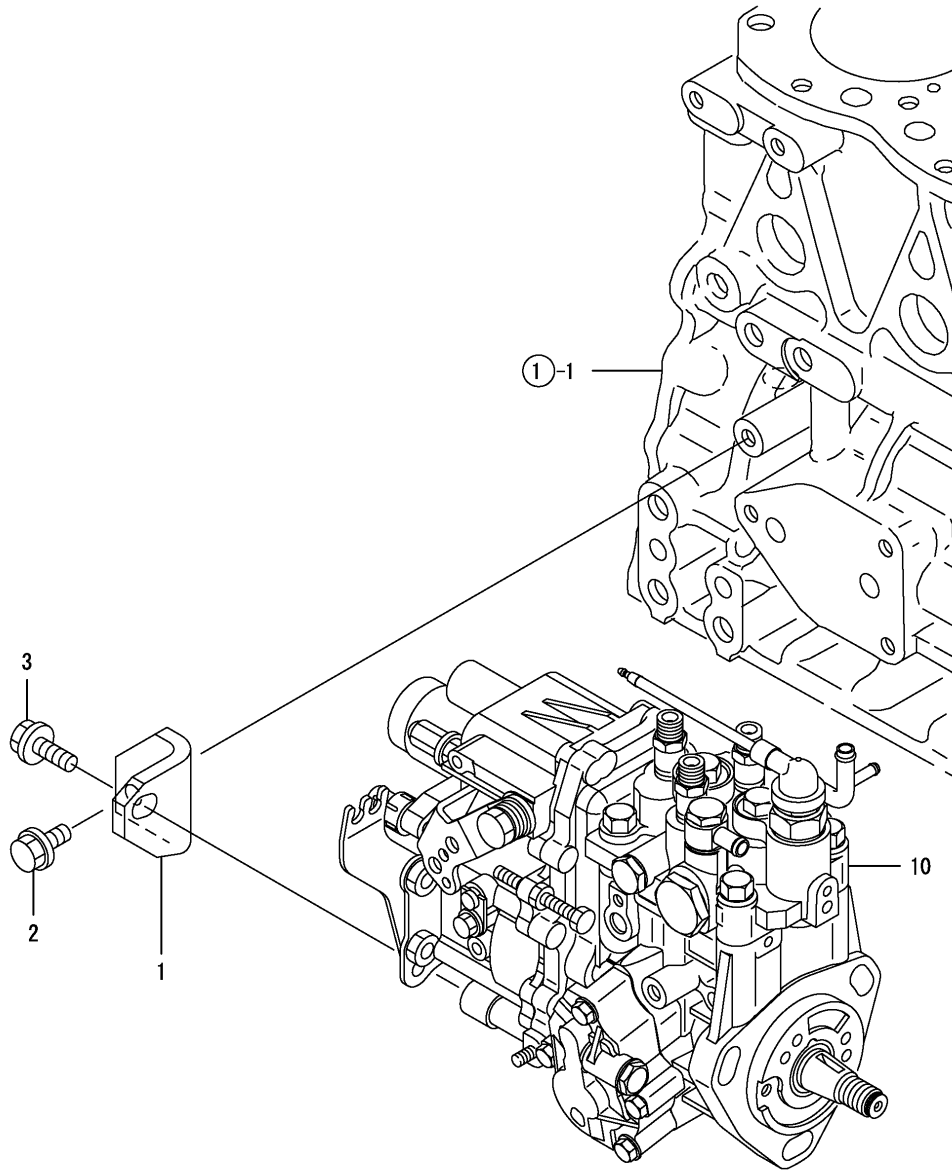
(A)=3TNV82A-NRE (D)=
 (B)= (E)=
 (C)= (F)=

REF.	LEV.	PARTS NO.	DESCRIPTION	QTY						I	R
				(A)	(B)	(C)	(D)	(E)	(F)		
1	1	119852-42010	PUMP ASSY, WATER	1							
3	2	119810-42051	GASKET, (NON-ASB.)	1							
4	2	119810-42120	PLATE	1							
8	2	119810-42281	GASKET, (NON-ASB.)	1							
9	2	119810-42290	PIPE, C.W. PUMP	1							
11	2	129054-42320	O-RING	1							
12	2	119852-49300	ELBOW R3/8	2							
13	2	26106-060142	BOLT M 6X 14 PLATED	2							
14	2	26106-060202	BOLT M 6X 20 PLATED	2							
15	1	129486-42050	GASKET	1							
16	1	23414-080000	GASKET 8, ROUND	1							
17	1	26106-080122	BOLT M 8X 12 PLATED	1							
18	1	26106-080352	BOLT M 8X 35 PLATED	1							
19	1	26106-080552	BOLT M 8X 55 PLATED	3							
20	1	129403-42380	V-PULLEY(D=110)	1							
21	1	119831-42290	V-BELT A37.5	1							
22	1	121267-44741	FAN, COOLING (D=360)	1							
23	1	119256-44760	SPACER	1							
24	1	26106-060602	BOLT M 6X 60 PLATED	4							
25	1	129457-49801	THERMOSTAT(82	1							
26	1	129150-49811	GASKET, (NON-ASB.)	1							
27	1	119852-49530	COVER, THERMOSTAT	1							
28	1	129795-49551	GASKET, (NON-ASB.)	1							
29	1	26106-080282	BOLT M 8X 28 PLATED	1							
30	1	26106-080652	BOLT M 8X 65 PLATED	1							
31	1	121550-49111	JOINT PT1/4	1							
32	1	129107-44901	SENSOR,HOT WATER	1							
33	1	124465-44950	GASKET 16	1							
34	1	124250-49351	THERMOMETER	1							
35	1	129150-49360	GASKET 10	1							
36	1	129055-49320	CAP, ELBOW	2							
37	1	23000-022000	CLAMP 22	2							

Remarks
 (REMARKS)"EFFECTIVE MACHINE NO." OF
 ENGINE IS INDICATED ON THE
 ENGINE LABEL WHICH IS SHOWN
 IN FIG.4.

Fig.12. FUEL INJECTION PUMP

(A)=3TNV82A-NRE (D)=
 (B)= (E)=
 (C)= (F)=

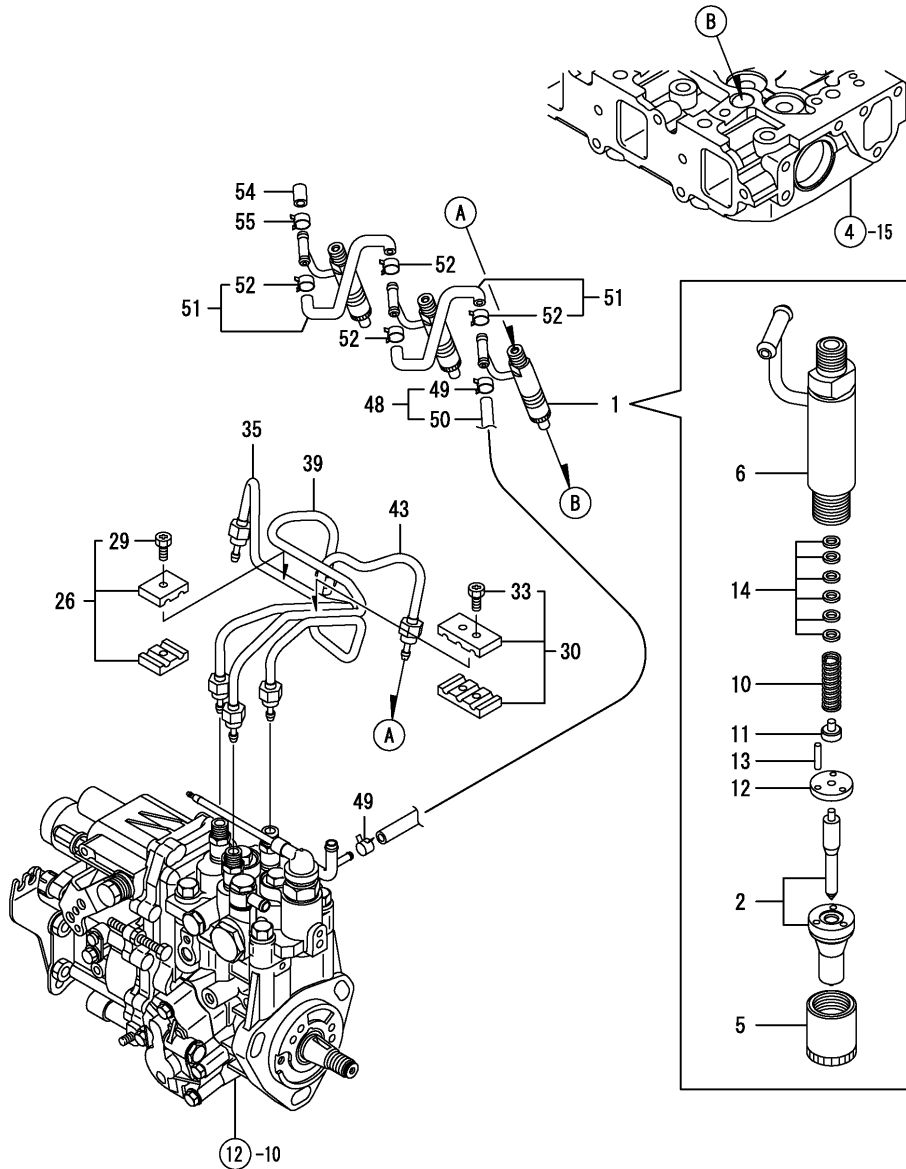


REF.	LEV.	PARTS NO.	DESCRIPTION	QTY						I	R
				(A)	(B)	(C)	(D)	(E)	(F)		
1	1	119802-51250	BRACKET, PUMP	1							
2	1	26106-080162	BOLT M 8X 16 PLATED	1							
3	1	26106-080202	BOLT M 8X 20 PLATED	1							
10	1	719852-51330	INJECTION PUMP ASSY	1							

Remarks
 (REMARKS)"EFFECTIVE MACHINE NO." OF
 ENGINE IS INDICATED ON THE
 ENGINE LABEL WHICH IS SHOWN
 IN FIG.4.

Fig.13. FUEL INJECTION VALVE

(A)=3TNV82A-NRE (D)=
 (B)= (E)=
 (C)= (F)=

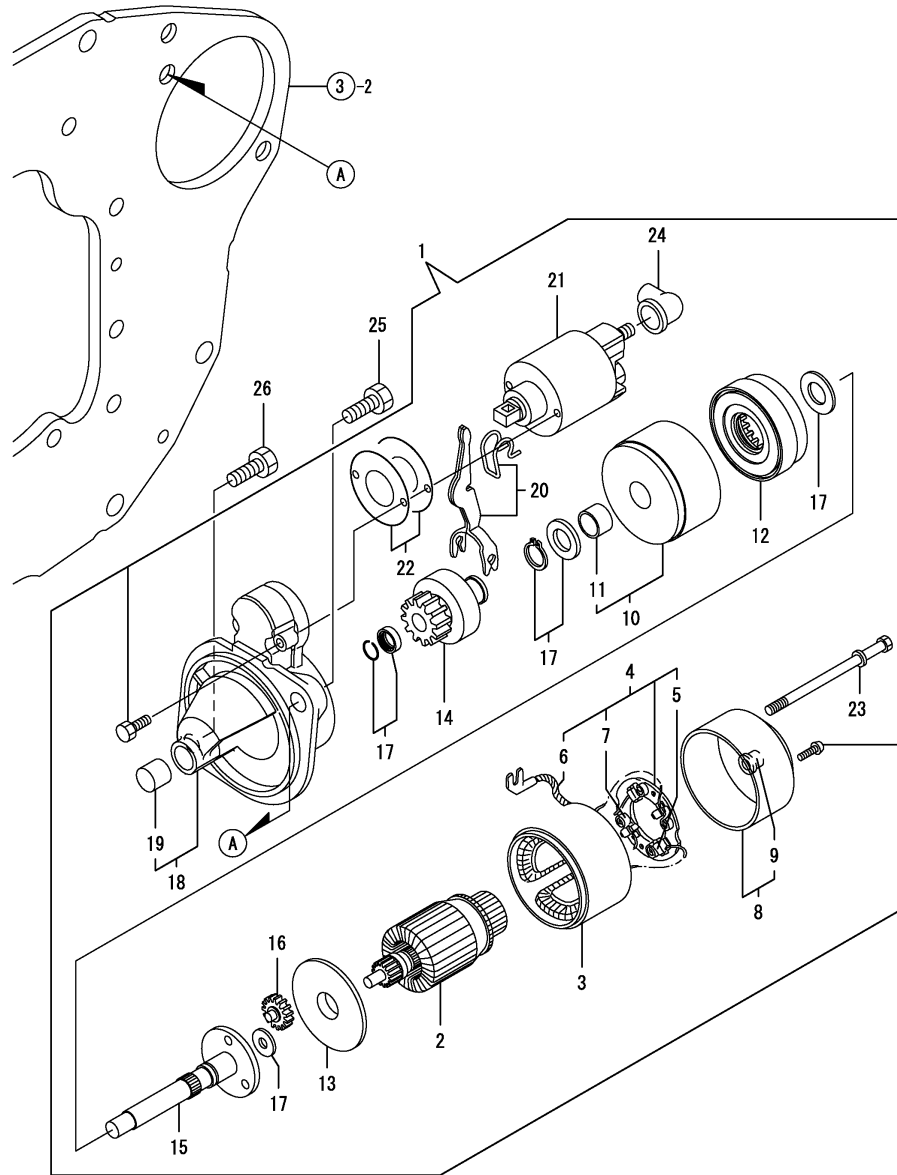


REF.	LEV.	PARTS NO.	DESCRIPTION	QTY						I	R
				(A)	(B)	(C)	(D)	(E)	(F)		
1	1	729240-53200	FUEL INJECTOR(WBJ	3							
2	2	129240-53001	NOZZLE ASSY	3							
5	2	114250-53080	NUT, NOZZLE CASE	3							
6	2	119802-53100	HOLDER ASSY, NOZZLE	3							
10	2	114250-53120	SPRING, NOZZLE	3							
11	2	114250-53130	SEAT, NOZZLE SPRING	3							
12	2	114250-53140	PLATE, STOP	3							
13	2	114250-53210	PIN	6							
14	2	114250-53400	SHIM PACK	3							
26	1	119305-59120	RETAINER	1							
29	2	129150-59131	BOLT M4X14,HEX.SCKT.	1							
30	1	129150-59120	RETAINER, INJ. PIPE	1							
33	2	129150-59131	BOLT M4X14,HEX.SCKT.	2							
35	1	119802-59810	PIPE ASSY, INJECTION	1							
39	1	119802-59820	PIPE ASSY, INJECTION	1							
43	1	119802-59830	PIPE ASSY, INJECTION	1							
48	1	119802-59550	PIPE ASSY, RETURN	1							
49	2	124722-59050	CLAMP 9	2							
50	2	119802-59560	PIPE, FUEL RETURN	1							
51	1	129486-59551	PIPE, FUEL RETURN	2							
52	2	124722-59050	CLAMP 9	4							
54	1	119593-59580	CAP	1							
55	1	124060-77680	CLAMP 10	1							

Remarks
 (REMARKS)"EFFECTIVE MACHINE NO." OF
 ENGINE IS INDICATED ON THE
 ENGINE LABEL WHICH IS SHOWN
 IN FIG.4.

Fig.14. STARTING MOTOR

(A)=3TNV82A-NRE (D)=
 (B)= (E)=
 (C)= (F)=

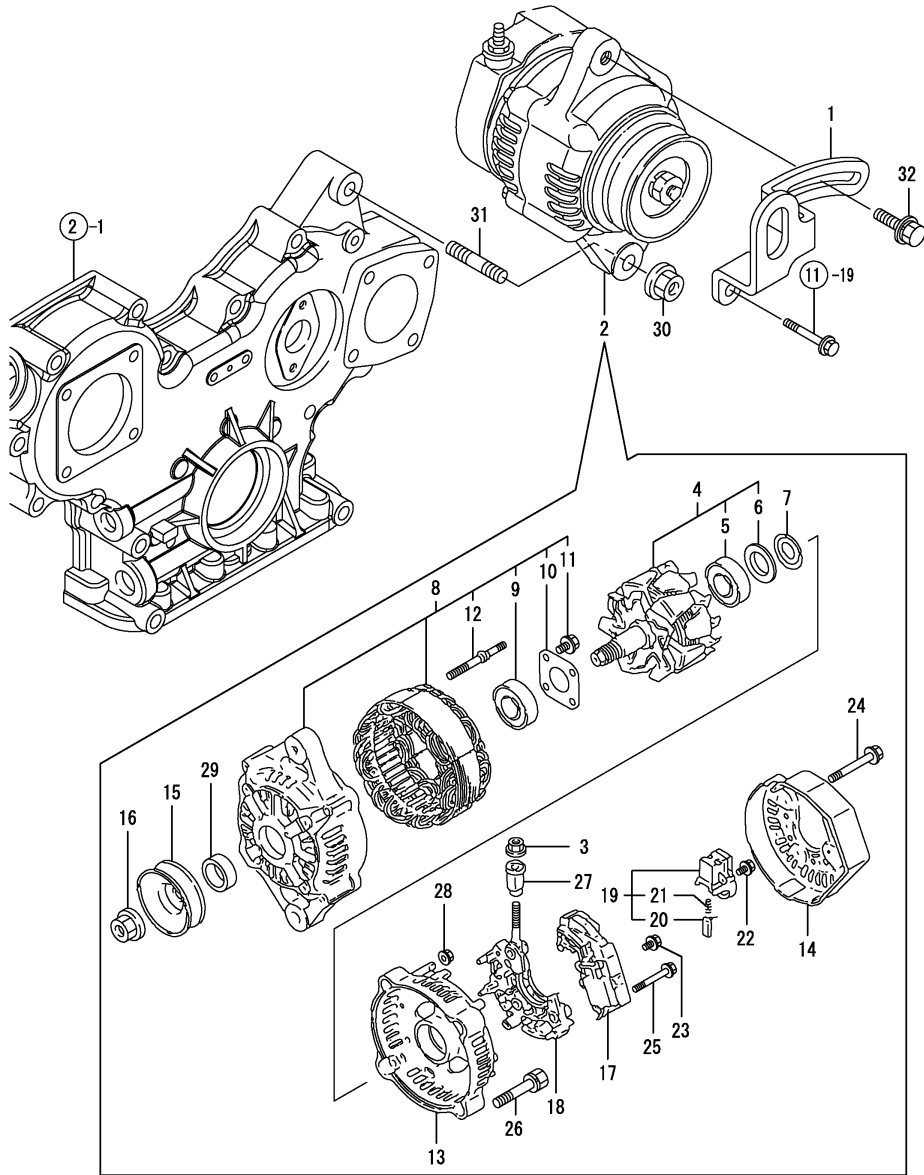


REF.	LEV.	PARTS NO.	DESCRIPTION	QTY						I	R
				(A)	(B)	(C)	(D)	(E)	(F)		
1	1	129052-77010	STARTER	1							
2	2	129698-77101	ARMATURE ASSY	1							
3	2	129698-77110	COIL ASSY, FIELD	1							
4	2	129698-77120	HOLDER ASSY, BRUSH	1							
5	3	129698-77130	BRUSH (-)	2							
6	3	129698-77140	BRUSH(+) SET	1							
7	3	129698-77150	SPRING, BRUSH	4							
8	2	129698-77161	COVER ASSY, REAR	1							
9	3	129698-77170	REAR COVER METAL	1							
10	2	129698-77180	BRACKET	1							
11	3	129698-77190	BRACKET	1							
12	2	129698-77200	INTERNAL GEAR	1							
13	2	129698-77210	BRACKET	1							
14	2	129698-77220	PINION ASSY	1							
15	2	129698-77230	SHAFT(PINION)	1							
16	2	129698-77240	GEAR	3							
17	2	129698-77250	WASHER SET	1							
18	2	129052-77030	HOUSING ASSY, GEARS	1							
19	3	X2114535200	METAL, STARTER	1							
20	2	129698-77270	LEVER, SHIFT	1							
21	2	129698-77020	MAGNETIC SWITCH ASSY	1							
22	2	129698-77280	COVER ASSY, DUST	1							
23	2	124195-77770	THROUGH BOLT	2							
24	2	X2114274200	COVER, TERMINAL	1							
25	1	129155-77060	BOLT, STARTER	1							
26	1	26116-120202	BOLT M12X 20 PLATED	1							

Remarks
 (REMARKS)"EFFECTIVE MACHINE NO." OF
 ENGINE IS INDICATED ON THE
 ENGINE LABEL WHICH IS SHOWN
 IN FIG.4.

Fig.15. GENERATOR

(A)=3TNV82A-NRE (D)=
 (B)= (E)=
 (C)= (F)=



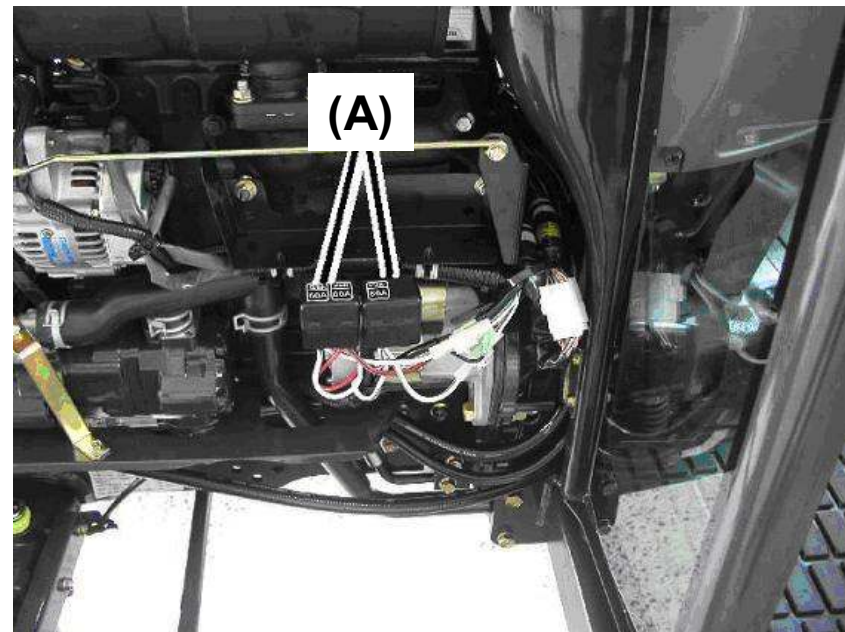
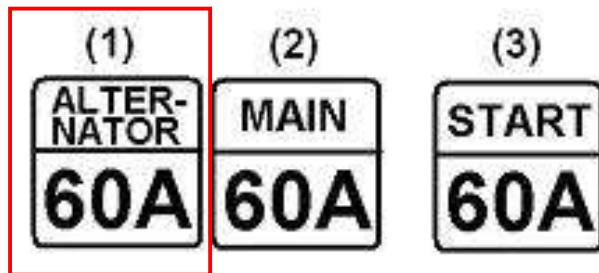
REF.	LEV.	PARTS NO.	DESCRIPTION	QTY						I	R
				(A)	(B)	(C)	(D)	(E)	(F)		
1	1	119852-77330	ADJUSTER, BELT	1							
2	1	129423-77200	GENERATOR	1							
3	2	X9490561001	NUT	1							
4	2	119620-77380	ROTOR ASSY	1							
5	3	123501-79240	BALL BEARING	1							
6	3	119620-79250	COVER, BEARING	1							
7	2	119620-79360	THRUST WASHER	1							
8	2	119620-77421	FLAME ASSY, DRIVE	1							
9	3	119620-79200	BALL BEARING	1							
10	3	119620-79210	PLATE	1							
11	3	119620-79220	SCREW	4							
12	3	119620-79230	BOLT, STUD	2							
13	2	119620-77440	FLAME ASSY, REAR	1							
14	2	129423-77450	COVER	1							
15	2	119620-77461	PULLEY	1							
16	2	119620-77471	NUT	1							
17	2	129423-77710	REGULATOR ASSY	1							
18	2	119620-79260	HOLDER	1							
19	2	129052-79270	HOLDER, BRUSH	1							
20	3	119620-77480	BRUSH ASSY	2							
21	3	119620-79280	SPRING	2							
22	2	119620-79290	SCREW	6							
23	2	119620-79300	SCREW	1							
24	2	119620-79310	BOLT	3							
25	2	119620-79320	SCREW W/WASHER	2							
26	2	119620-79330	BOLT	2							
27	2	119620-79340	INSULATION BUSH	1							
28	2	119620-79350	NUT	2							
29	2	119620-77490	COLLAR	1							
30	1	26306-100002	NUT	1							
31	1	129795-01900	STUD	1							
32	1	119810-77340	BOLT	1							

Remarks
 (REMARKS)"EFFECTIVE MACHINE NO." OF
 ENGINE IS INDICATED ON THE
 ENGINE LABEL WHICH IS SHOWN
 IN FIG.4.

1. Replace the slow blow fuse

Remove negative cable from battery.

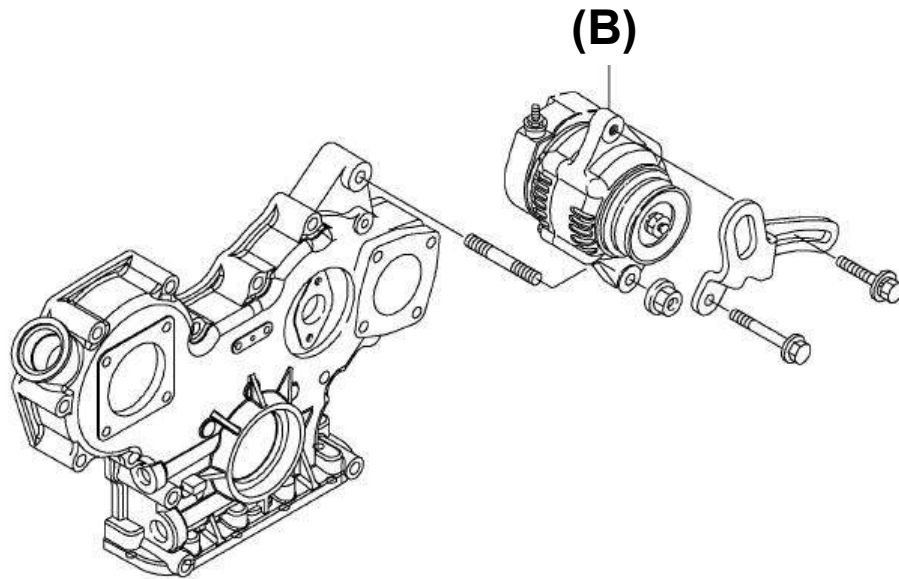
Replace the ALTERNATOR SLOW BLOW FUSE (1) to 80A fuse which is supplied with alternator.



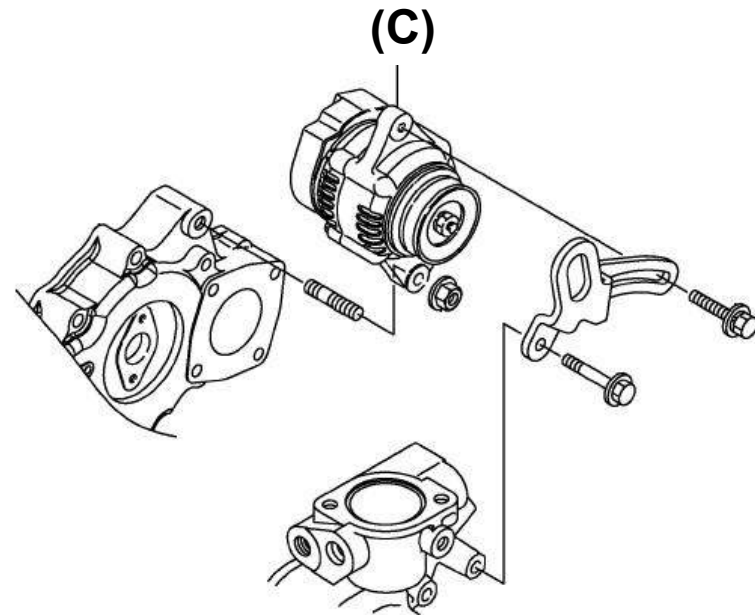
(A) – SLOW BLOW FUSE

2. Replace the alternator.

Replace to the large capacity alternator (C), 119626-77210.
Attach negative cable to battery.



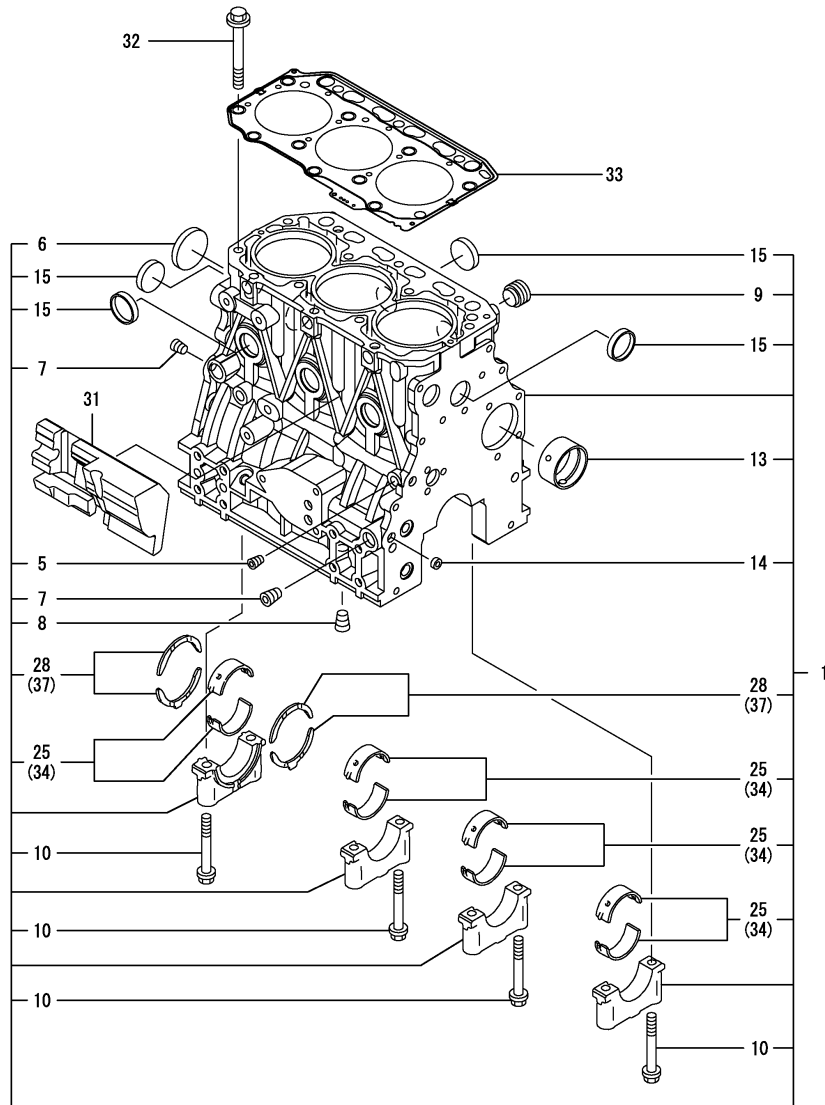
NORMAL
(B) 129423-77200 / GENERATOR, 12V-40A



LARGE CAPACITY
(C) 119626-77210 / ALTERNATOR 12V-55A

Fig.1. CYLINDER BLOCK

(A)=3TNV84-NRE (D)=
 (B)= (E)=
 (C)= (F)=

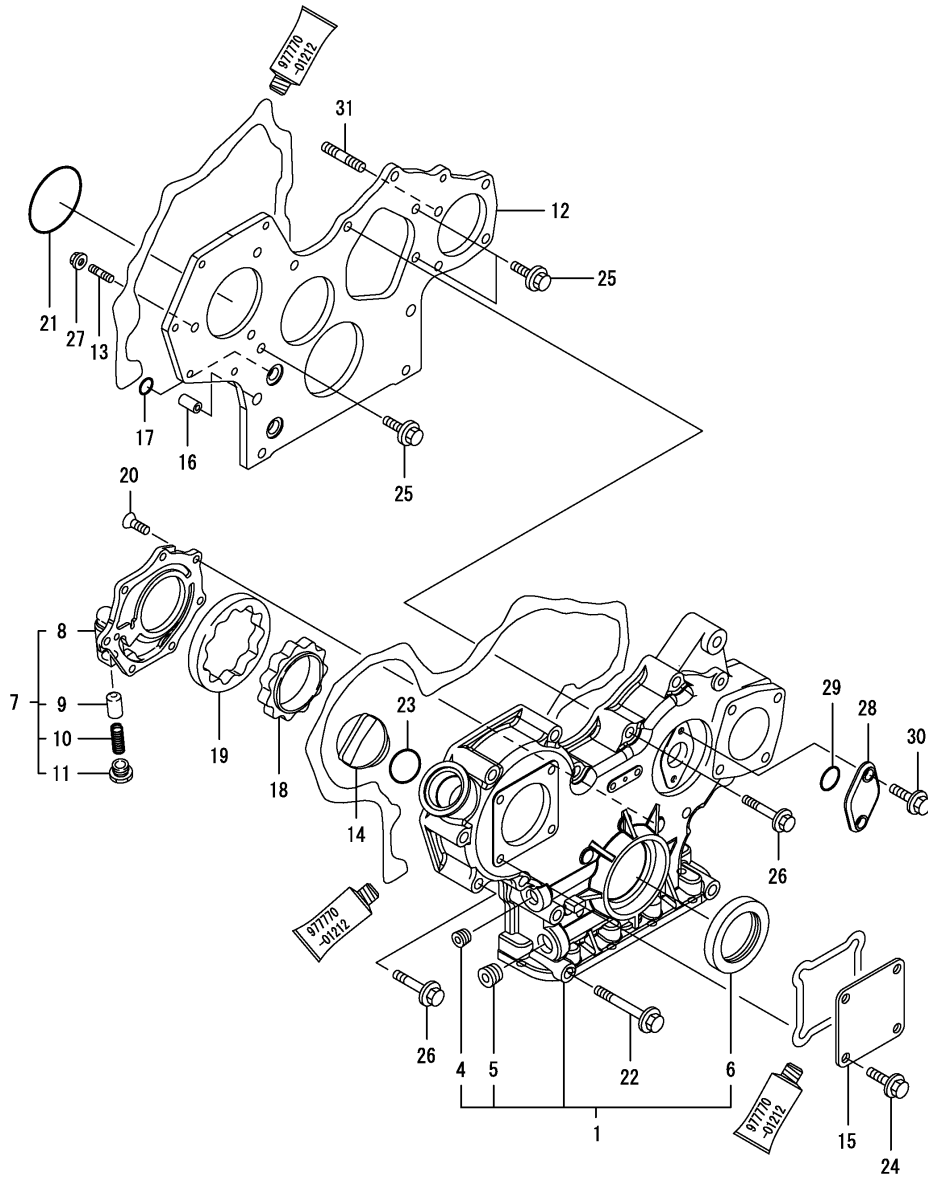


REF.	LEV.	PARTS NO.	DESCRIPTION	QTY						I	R
				(A)	(B)	(C)	(D)	(E)	(F)		
1	1	729004-01560	BLOCK ASSY, CYLINDER	1							
5	2	124060-01050	PLUG PT1/8	1							
6	2	129001-01250	PLUG 50	1							
7	2	124160-01910	PLUG PT1/4	2							
8	2	124160-01910	PLUG PT1/4	1							
9	2	171051-01921	PLUG	1							
10	2	129150-02020	BOLT, METAL CAP	8							
13	2	129795-02411	BUSH, CAMSHAFT	1							
14	2	27241-120000	PLUG 12	2							
15	2	27241-300000	PLUG 30	6							
25	2	129001-02930	MAIN BEARING SET	4							3
28	2	129150-02930	METAL, THRUST	2							
31	1	129004-01190	SPACER	1							
32	1	129150-01200	STUD, CYL. HEAD	14							
33	1	129002-01331	GASKET, CYL. HEAD	1							
34	1	129150-02870	MAIN METAL US=0.25	4							1
37	1	129150-02940	METAL, THRUST.25(2PIE	1							2

Remarks
 (1) UNDER-SIZE(U.S=0.25)PART.
 (2) OVER-SIZE(O.S=0.25)PART.
 (3) REPAIR PART.
 (REMARKS)"EFFECTIVE MACHINE NO." OF
 ENGINE IS INDICATED ON THE
 ENGINE LABEL WHICH IS SHOWN
 IN FIG.4.

Fig.2. GEAR HOUSING

(A)=3TNV84-NRE (D)=
 (B)= (E)=
 (C)= (F)=

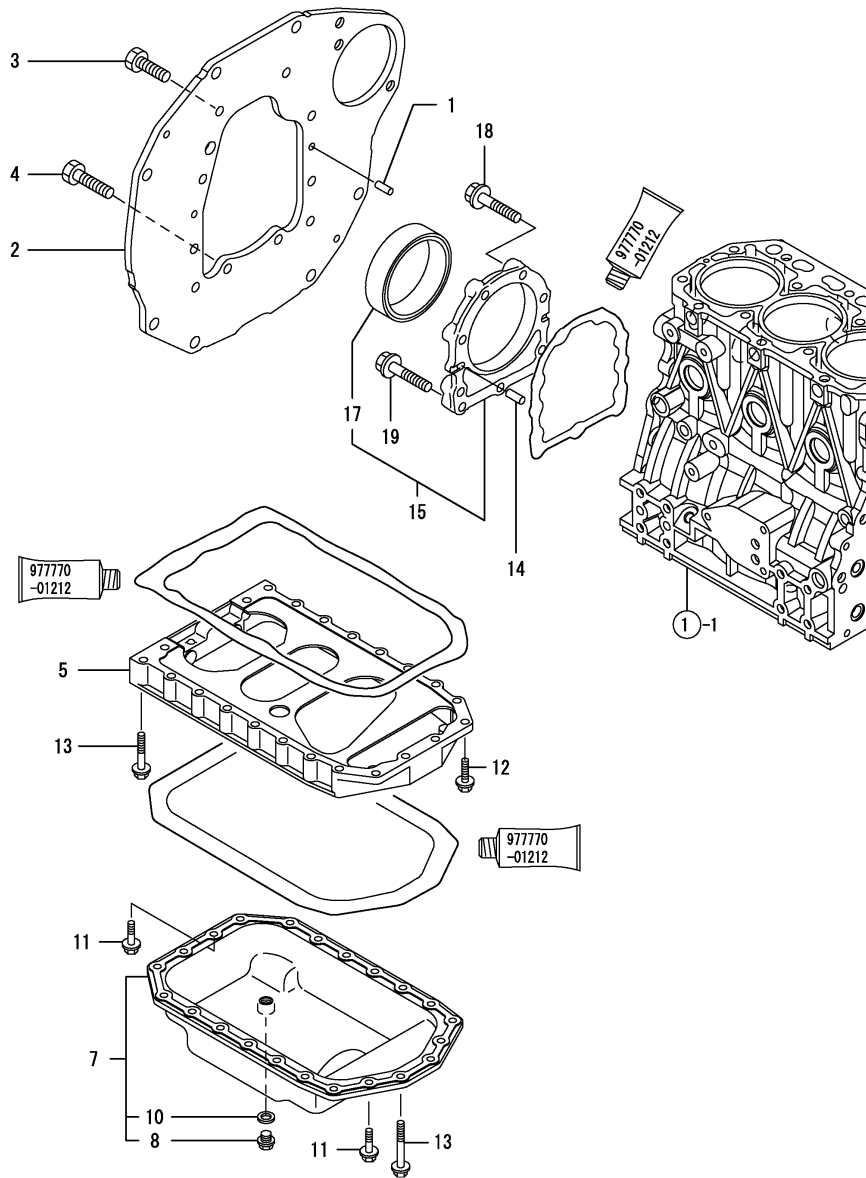


REF.	LEV.	PARTS NO.	DESCRIPTION	QTY						I	R
				(A)	(B)	(C)	(D)	(E)	(F)		
1	1	729004-01500	HOUSING ASSY, GEAR	1							
4	2	23876-030000	PLUG PT3/8,SCREW	1							
5	2	23876-040000	PLUG PT 1/2	1							
6	2	129795-01800	SEAL, OIL	1							
7	1	119802-32100	COVER ASSY, PUMP	1							
8	2	119802-32070	COVER, LUB.OIL PUMP	1							
9	2	129900-32130	VALVE, RELIEF	1							
10	2	129418-32320	SPRING	1							
11	2	129001-32330	PLUG	1							
12	1	129004-01520	FRANGE, GEAR CASE	1							
13	1	119802-01560	STUD, M8X25	3							
14	1	124160-01751	COVER,FILLER	1							
15	1	124240-01871	COVER, HO-P	1							
16	1	129795-01950	PIPE, KNOCK L=18	2							
17	1	119609-32040	O-RING P16	4							
18	1	119802-32111	ROTOR, INNER	1							
19	1	119802-32120	ROTOR, OUTER	1							
20	1	119802-32130	SCREW, M6X16	7							
21	1	121850-51960	O-RING, F.I.PUMP	1							
22	1	129001-91841	BOLT M 8X 85 PLATED	3							
23	1	24311-000320	O-RING 1A P-32.0	1							
24	1	26106-080162	BOLT M 8X 16 PLATED	4							
25	1	26106-080162	BOLT M 8X 16 PLATED	3							
26	1	26106-080552	BOLT M 8X 55 PLATED	11							
27	1	26306-080002	NUT	3							
28	1	121023-01550	COVER, BLIND	1							
29	1	24341-000240	O-RING 1A S-24.0	1							
30	1	26106-060162	BOLT M 6X 16 PLATED	2							
31	1	129150-01580	STUD 8 X 30	1							

Remarks
 (REMARKS)"EFFECTIVE MACHINE NO." OF
 ENGINE IS INDICATED ON THE
 ENGINE LABEL WHICH IS SHOWN
 IN FIG.4.

(A)=3TNV84-NRE (D)=
 (B)= (E)=
 (C)= (F)=

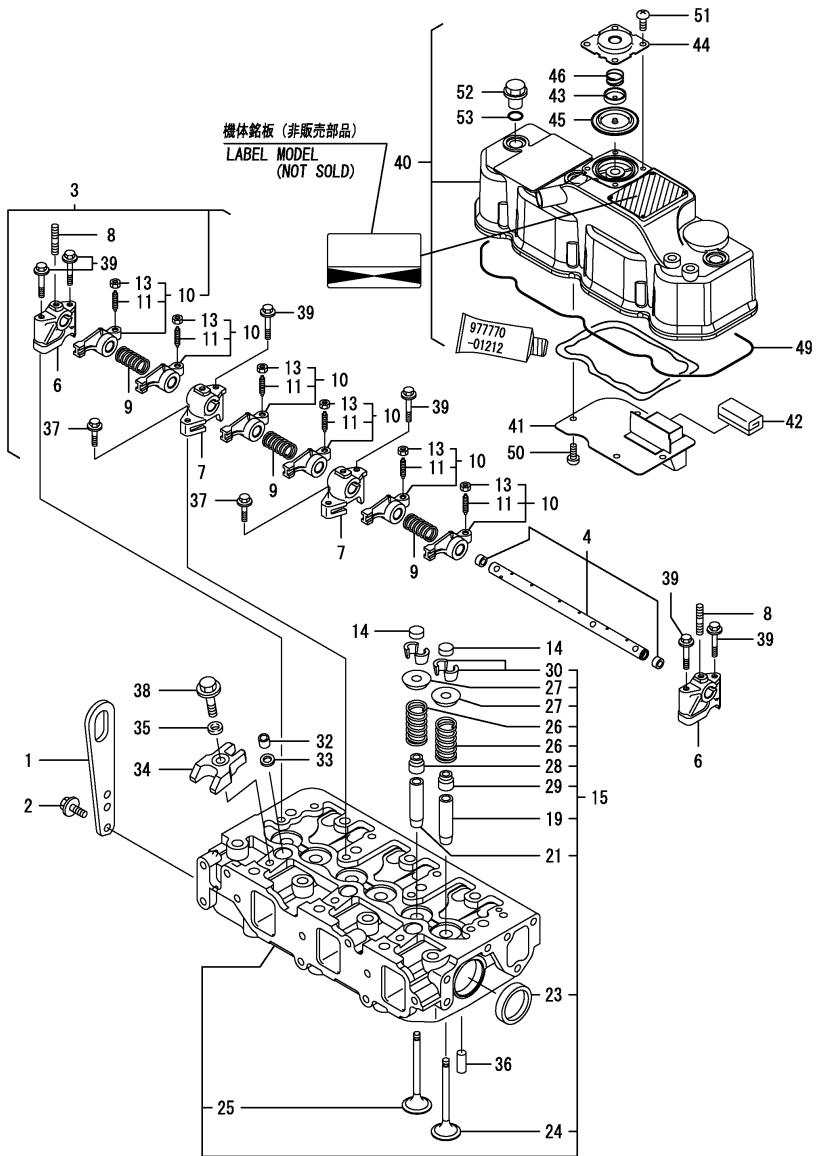
Fig.3. MOUNTING FLANGE & OIL SUMP



REF.	LEV.	PARTS NO.	DESCRIPTION	QTY						I	R	
				(A)	(B)	(C)	(D)	(E)	(F)			
1	1	129100-01580	PARALLEL PIN 8X16		2							
2	1	119852-01600	FLANGE, MOUNTING		1							
3	1	26206-100202	BOLT M10X20		6							
4	1	26206-100252	BOLT M10X25		4							
5	1	129100-01730	SPACER, OIL SUMP		1							
7	1	129055-01770	SUMP, LUB.OIL		1							
8	2	129054-01640	DRAIN PLUG		1							
10	2	22190-120002	SEAL WASHER 12		1							
11	1	26106-080162	BOLT M 8X 16 PLATED		4							
12	1	26106-080252	BOLT M 8X 25 PLATED		2							
13	1	26106-080452	BOLT M 8X 45 PLATED		20							
14	1	129100-01580	PARALLEL PIN 8X16		2							
15	1	129100-01640	CASE ASSY, OIL SEAL		1							
17	2	129795-01780	SEAL, OIL		1							
18	1	129486-01670	BOLT M8X30,COLLAR HD		6							
19	1	26106-080352	BOLT M 8X 35 PLATED		3							

Remarks
 (REMARKS)"EFFECTIVE MACHINE NO." OF
 ENGINE IS INDICATED ON THE
 ENGINE LABEL WHICH IS SHOWN
 IN FIG.4.

Fig.4. CYLINDER HEAD & BONNET

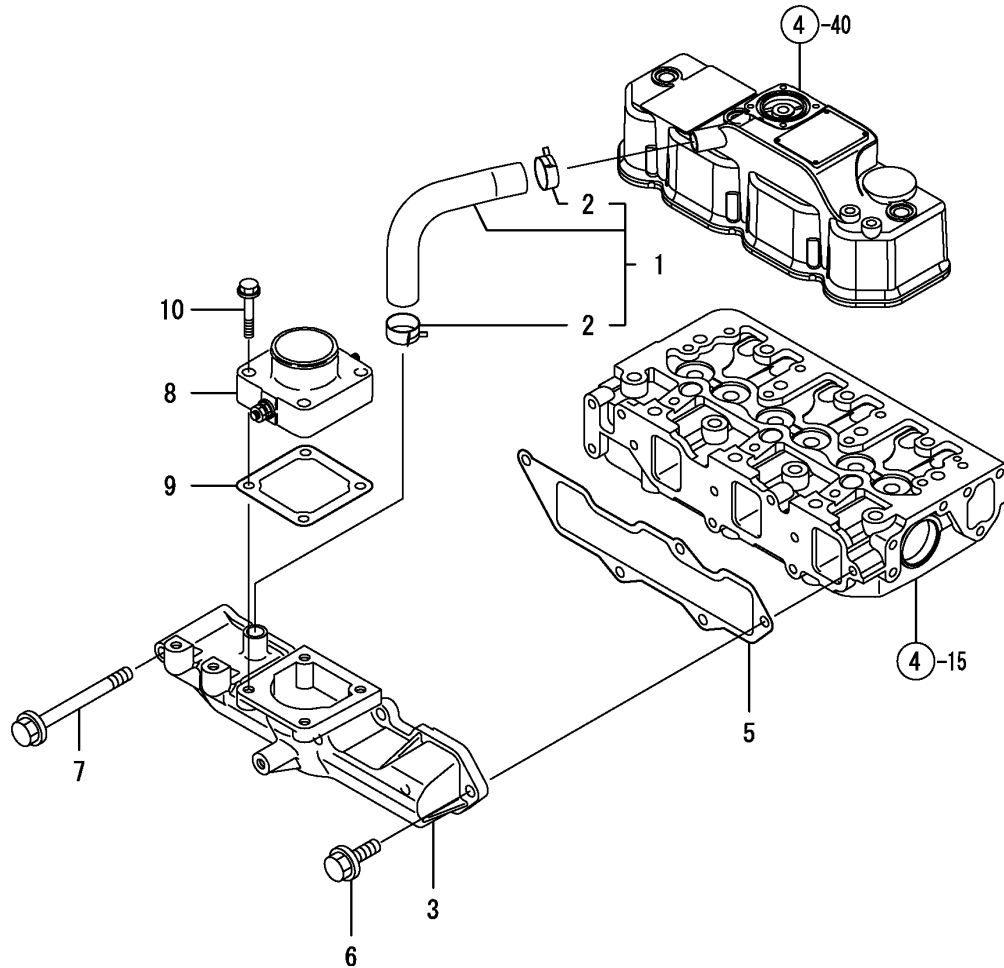


Remarks
 (1) REPAIR PART.
 (REMARKS)"EFFECTIVE MACHINE NO." OF
 ENGINE IS INDICATED ON THE
 ENGINE LABEL WHICH IS SHOWN
 IN FIG.4.

(A)=3TNV84-NRE (D)=
 (B)= (E)=
 (C)= (F)=

REF.	LEV.	PARTS NO.	DESCRIPTION	QTY						I	R
				(A)	(B)	(C)	(D)	(E)	(F)		
1	1	129900-07900	LIFTER, ENGINE	1							
2	1	26106-080142	BOLT M 8X 14 PLATED	2							
3	1	129004-11241	SHAFT ASSY, ROCKER	1							
4	2	129004-11251	SHAFT, ROCKER ARM	1							
6	2	119802-11260	SUPPORT, ROCKER ARM	2							
7	2	119802-11270	SUPPORT, ROCKER ARM	2							
8	2	119802-11280	STUD	3							
9	2	129150-11280	SPRING	3							
10	2	129004-11650	ARM ASSY, ROCKER	6							
11	3	129150-11230	SCREW, VALVE	6							
13	3	129150-11750	NUT M8XP1.0	6							
14	1	129150-11370	CAP, VALVE	6							
15	1	129004-11700	HEAD ASSY, CYLINDER	1							
19	2	120130-11860	GUIDE, VALVE	3							1
21	2	129150-11810	GUIDE, VALVE	3							1
23	2	27241-400000	PLUG 40	2							
24	2	129004-11101	VALVE, INTAKE	3							
25	2	129100-11111	VALVE, EXHAUST	3							
26	2	129795-11120	SPRING, VALVE	6							
27	2	129795-11180	RETAINER, SPRING	6							
28	2	121400-11340	SEAL, VALVE STEM	3							
29	2	124460-11340	SEAL, VALVE STEM	3							
30	2	27310-080001	COTTER 8	6							
32	1	119802-11870	PROTECTOR, NOZZLE	3							
33	1	119625-11880	SEAT, NOZZLE	3							
34	1	129004-11900	RETAINER, NOZZLE	3							
35	1	120270-54410	WASHER	3							
36	1	22351-060012	SPRING PIN 6X12	2							
37	1	26106-080252	BOLT M 8X 25 PLATED	2							
38	1	26106-080352	BOLT M 8X 35 PLATED	3							
39	1	26106-080502	BOLT M 8X 50 PLATED	6							
40	1	129055-11350	BONNET ASSY, HEAD	1							
41	2	129004-03010	PLATE, BAFFLE	1							
42	2	129150-03070	BAFFLE, BREATHER	1							
43	2	119802-03110	PLATE, DIAPHRAGM	1							
44	2	119802-03121	COVER, DIAPHRAGM	1							
45	2	119802-03130	DIAPHRAGM	1							
46	2	119802-03141	SPRING, DIAPHRAGM	1							
49	2	129004-11310	GASKET, BONNET	1							
50	2	22857-500100	SCREW 5X10,TAPPING	4							
51	2	22857-500100	SCREW 5X10,TAPPING	4							
52	1	124160-11360	KNOB	3							
53	1	24311-000120	O-RING 1A P 12.0	3							

Fig.5. SUCTION MANIFOLD



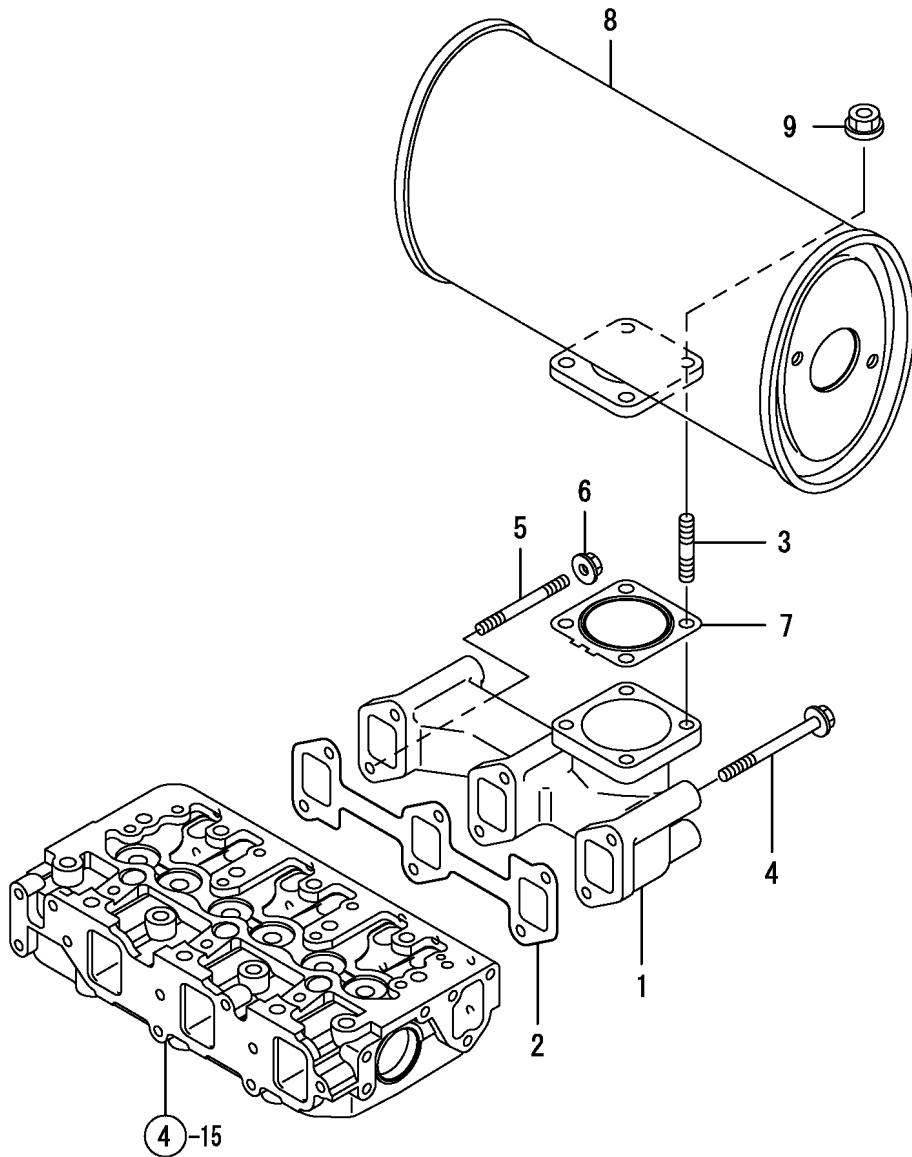
NPC-4320 5. SUCTION MANIFOLD

(A)=3TNV84-NRE (D)=
 (B)= (E)=
 (C)= (F)=

REF.	LEV.	PARTS NO.	DESCRIPTION	QTY						I	R
				(A)	(B)	(C)	(D)	(E)	(F)		
1	1	129005-03080	PIPE, BREATHER		1						
2	2	129410-03990	CLAMP 24		2						
3	1	129005-12100	MANIFOLD, INTAKE		1						
5	1	129001-12110	GASKET,INT. MANIFOLD		1						
6	1	26106-080202	BOLT M 8X 20 PLATED		4						
7	1	26106-080802	BOLT M 8X 80 PLATED		1						
8	1	129120-77501	HEATER, AIR		1						
9	1	129150-77511	GASKET, (NON-ASB.)		1						
10	1	26106-080352	BOLT M 8X 35 PLATED		4						

Remarks
 (REMARKS)"EFFECTIVE MACHINE NO." OF
 ENGINE IS INDICATED ON THE
 ENGINE LABEL WHICH IS SHOWN
 IN FIG.4.

Fig.6. EXHAUST MANIFOLD & SILENCER



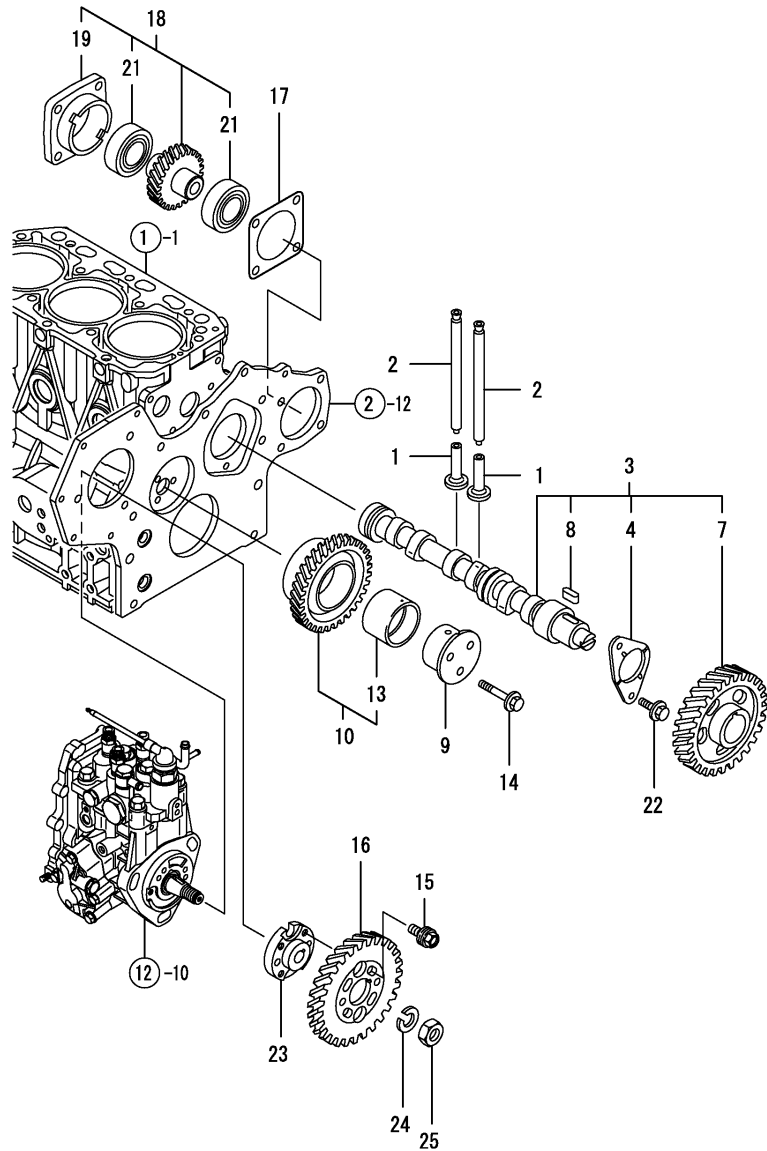
NPC-4320 6. EXHAUST MANIFOLD & SILENCER

(A)=3TNV84-NRE (D)=
 (B)= (E)=
 (C)= (F)=

REF.	LEV.	PARTS NO.	DESCRIPTION	QTY						I	R	
				(A)	(B)	(C)	(D)	(E)	(F)			
1	1	171350-13100	MANIFOLD, EXHAUST	1								
2	1	129150-13110	GASKET, EXH.MANIFOLD	1								
3	1	119131-18320	BOLT M 8X 22	4								
4	1	123900-13630	BOLT 8X80	4								
5	1	129263-13220	BOLT M8X95	2								
6	1	26306-080002	NUT	2								
7	1	129004-13200	GASKET, SILENCER	1								
8	1	129055-13521	SILENCER	1								
9	1	26306-080002	NUT	4								

Remarks
 (REMARKS)"EFFECTIVE MACHINE NO." OF
 ENGINE IS INDICATED ON THE
 ENGINE LABEL WHICH IS SHOWN
 IN FIG.4.

Fig.7. CAMSHAFT & DRIVING GEAR



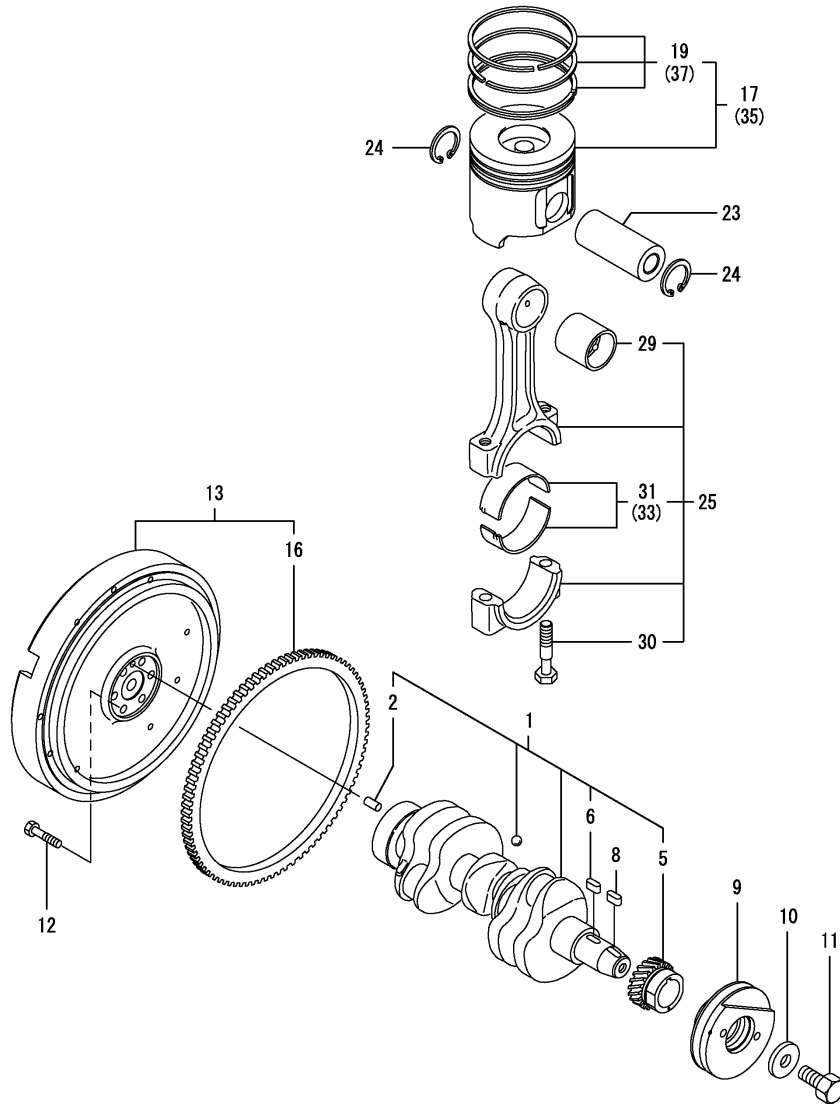
NPC-4320 7. CAMSHAFT & DRIVING GEAR

(A)=3TNV84-NRE (D)=
 (B)= (E)=
 (C)= (F)=

REF.	LEV.	PARTS NO.	DESCRIPTION	QTY						I	R
				(A)	(B)	(C)	(D)	(E)	(F)		
1	1	129150-14200	TAPPET		6						
2	1	129150-14400	ROD, PUSH		6						
3	1	129129-14580	CAMSHAFT ASSY		1						
4	2	129150-02450	METAL,THRUST(CAM		1						
7	2	129150-14101	GEAR, CAMSHAFT		1						
8	2	22512-070140	KEY 7X 14		1						
9	1	119802-25051	SHAFT, IDLE GEAR		1						
10	1	119802-25100	GEAR ASSY, IDLE		1						
13	2	119802-25070	BUSH, IDLE GEAR		1						1
14	1	26106-080402	BOLT M 8X 40 PLATED		3						
15	1	129150-25301	BOLT,FI-P		4						
16	1	119802-25901	GEAR, PUMP		1						
17	1	129150-01881	GASKET, (NON ASB.)		1						
18	1	129150-26000	DRIVING SET, HO-PUMP		1						
19	2	129150-26050	BRACKET, HO-P		1						
21	2	24105-060064	BALL BEARING		2						
22	1	26106-080142	BOLT M 8X 14 PLATED		2						
23	1	158552-51151	FLANGE		1						
24	1	22217-140000	SPRING WASHER 14		1						
25	1	26776-140002	LOCK NUT M14 PLATED		1						

Remarks
 (1) REPAIR PART.
 (REMARKS)"EFFECTIVE MACHINE NO." OF
 ENGINE IS INDICATED ON THE
 ENGINE LABEL WHICH IS SHOWN
 IN FIG.4.

Fig.8. CRANKSHAFT & PISTON



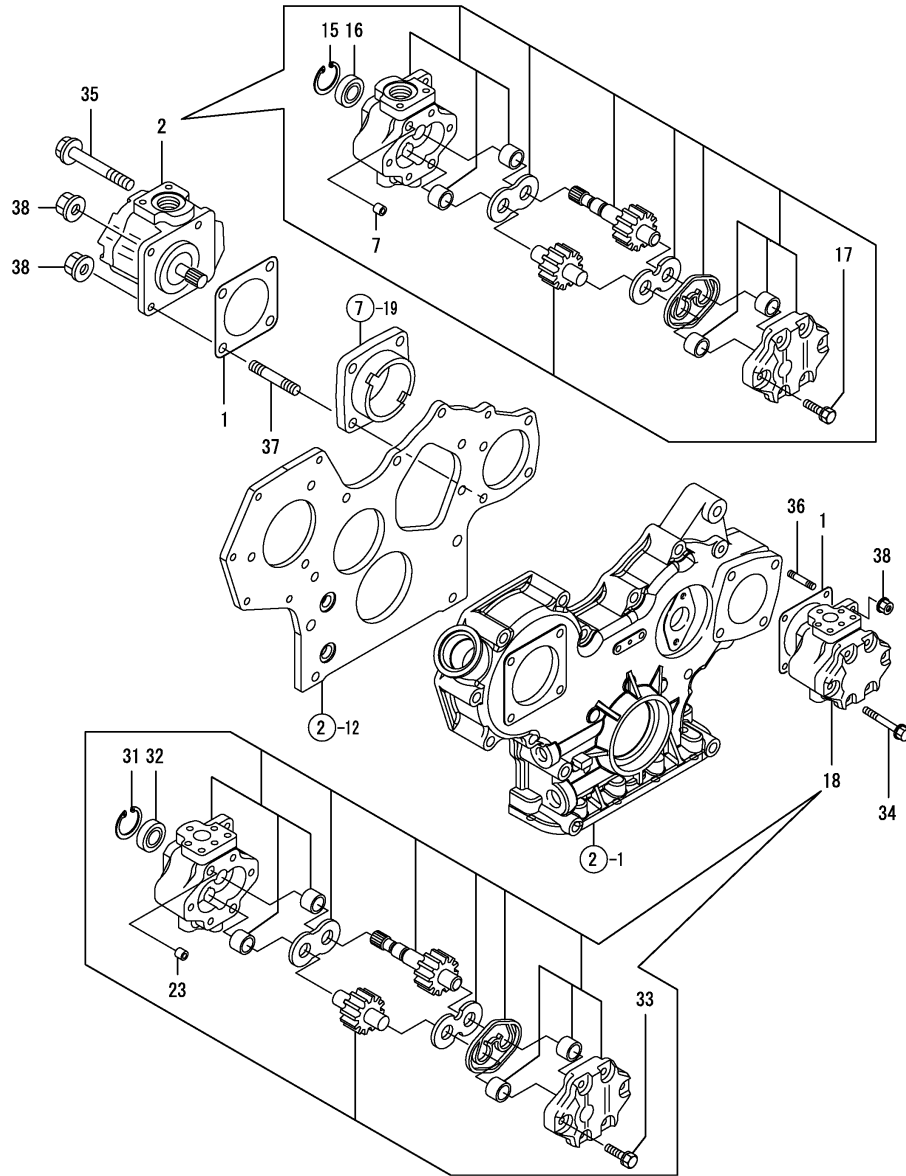
NPC-4320 8. CRANKSHAFT & PISTON

(A)=3TNV84-NRE (D)=
 (B)= (E)=
 (C)= (F)=

REF.	LEV.	PARTS NO.	DESCRIPTION	QTY						I	R
				(A)	(B)	(C)	(D)	(E)	(F)		
1	1	129004-21002	CRANKSHAFT ASSY	1							
2	2	129100-01580	PARALLEL PIN 8X16	1							
5	2	119802-21202	GEAR, CRANKSHAFT	1							
6	2	22512-070140	KEY 7X 14	1							
8	1	22512-070140	KEY 7X 14	1							
9	1	129055-21650	V-PULLEY, CRANKSHAFT	1							
10	1	129795-21661	WASHER	1							
11	1	121850-21680	BOLT, V-PULLEY	1							
12	1	121111-21501	BOLT, FLYWHEEL	6							
13	1	129055-21592	FLYWHEEL ASSY	1							
16	2	124550-21600	RING GEAR	1							
17	1	129004-22080	PISTON W/RING	3							
19	2	129004-22500	RING SET	3							
23	1	129202-22300	PIN, PISTON(D26,L70)	3							
24	1	22252-000260	CIRCLIP 26	6							
25	1	729402-23100	ROD ASSY, CONNECTING	3							
29	2	129100-23910	BUSH, PISTON PIN	3							1
30	2	121550-23200	BOLT, CONNECTING ROD	6							
31	2	129150-23600	BEARING, CRANKPIN	3							
33	1	129150-23610	METAL.PIN US=0.25	3							2
35	1	129004-22900	PISTON W/RING OS=.25	3							3
37	2	129004-22950	RING SET O.S=0.25	3							3

Remarks
 (1) REPAIR PART.
 (2) UNDER-SIZE(U.S=0.25)PART.
 (3) OVER-SIZE(O.S=0.25)PART.
 (REMARKS)"EFFECTIVE MACHINE NO." OF
 ENGINE IS INDICATED ON THE
 ENGINE LABEL WHICH IS SHOWN
 IN FIG.4.

Fig.9. HYDRAULIC PUMP



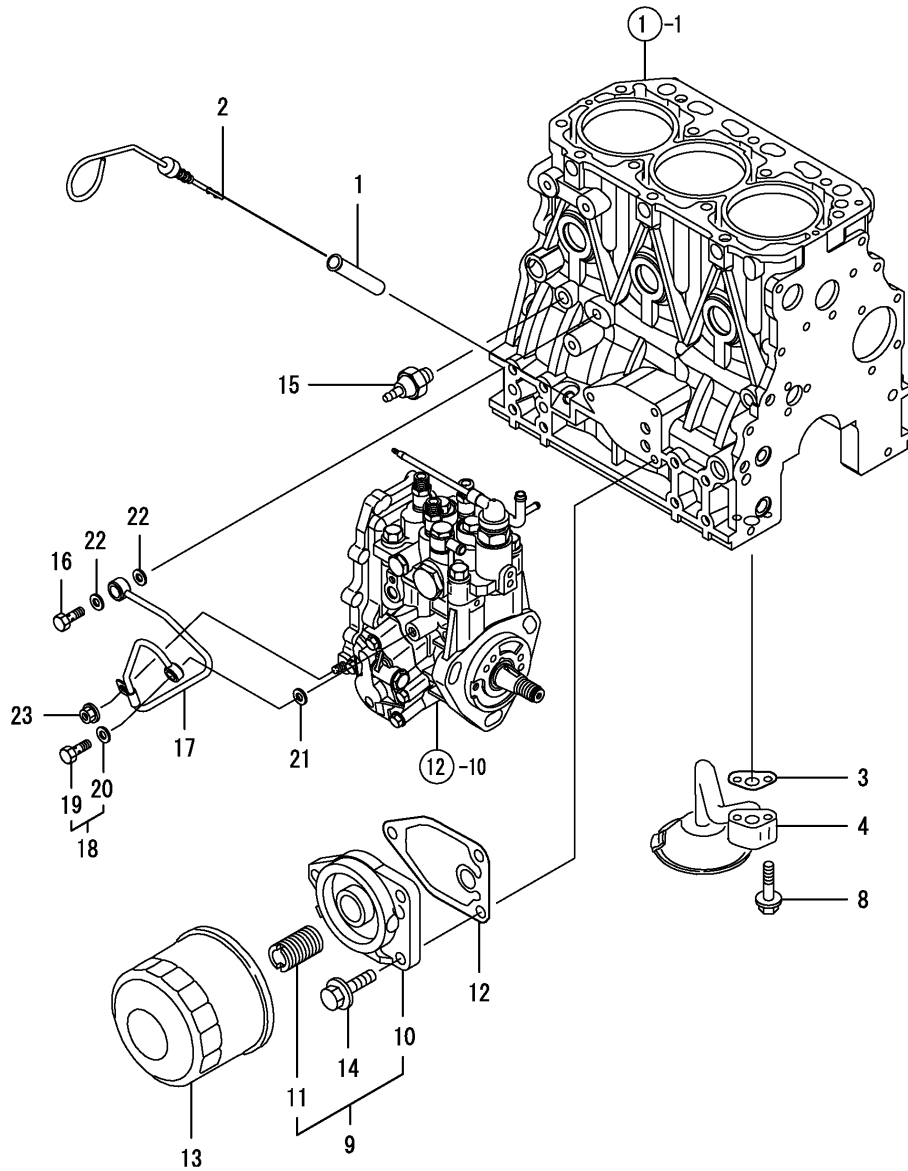
(A)=3TNV84-NRE (D)=
 (B)= (E)=
 (C)= (F)=

REF.	LEV.	PARTS NO.	DESCRIPTION	QTY						I	R
				(A)	(B)	(C)	(D)	(E)	(F)		
1	1	124240-01883	GASKET, (NON-ASB.)	2							
2	1	198172-41110	PUMP, HYDRAULIC	1							
7	2	194521-41570	PIN 11X7	2							
15	2	22252-000320	CIRCLIP 32	1							
16	2	24421-153207	SEAL TC15 32 07, OIL	1							
17	2	26016-080352	BOLT M 8X 35	4							
18	1	198280-41150	PUMP ASSY, HYD. OIL	1							
23	2	194521-41570	PIN 11X7	2							
31	2	22252-000320	CIRCLIP 32	1							
32	2	24421-153207	SEAL TC15 32 07, OIL	1							
33	2	26016-080352	BOLT M 8X 35	4							
34	1	26106-080802	BOLT M 8X 80 PLATED	2							
35	1	26106-080952	BOLT M 8X 95 PLATED	2							
36	1	26216-080222	STUD M 8X 22 PLATED	2							
37	1	26216-080402	STUD M 8X 40 PLATED	1							
38	1	26306-080002	NUT	4							

Remarks
 (REMARKS)"EFFECTIVE MACHINE NO." OF
 ENGINE IS INDICATED ON THE
 ENGINE LABEL WHICH IS SHOWN
 IN FIG.4.

Fig.10. LUB.OIL SYSTEM

(A)=3TNV84-NRE (D)=
 (B)= (E)=
 (C)= (F)=

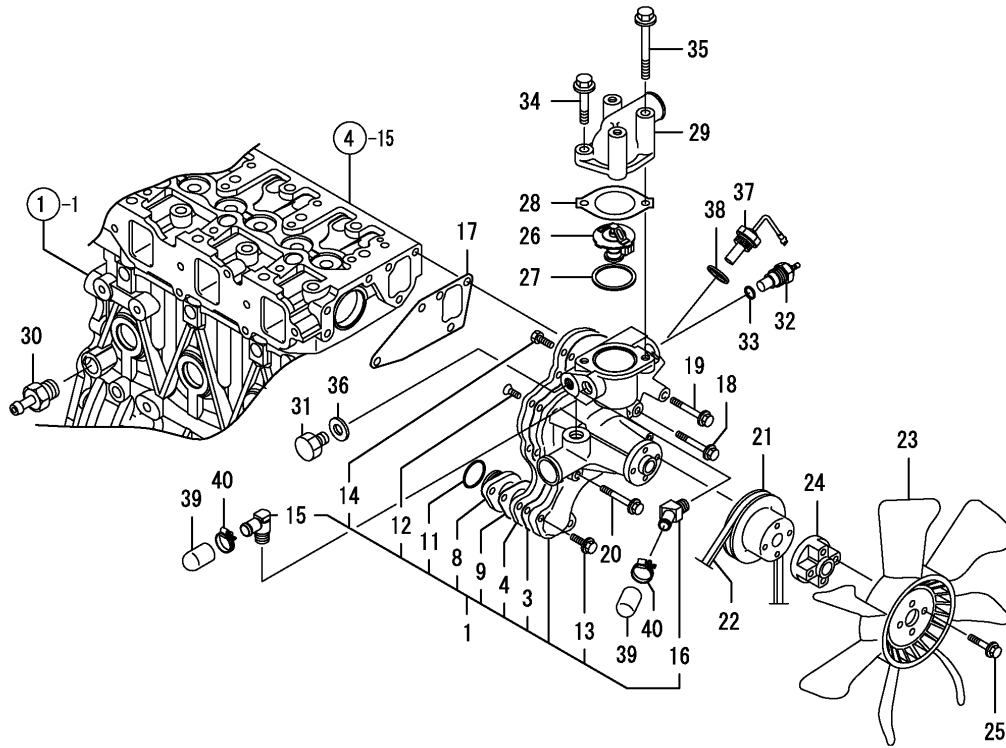


REF.	LEV.	PARTS NO.	DESCRIPTION	QTY						I	R
				(A)	(B)	(C)	(D)	(E)	(F)		
1	1	121520-34810	GUIDE, DIPSTICK	1							
2	1	129055-34811	DIPSTICK, LUB.OIL	1							
3	1	129150-35042	GASKET, (NON-ASB.)	1							
4	1	129150-35091	PIPE ASSY, OIL INLET	1							
8	1	26106-080352	BOLT M 8X 35 PLATED	2							
9	1	119802-35100	BRACKET ASSY, FILTER	1							
10	2	119802-35110	BRACKET, FILTER	1							
11	2	129100-35140	STUD	1							
12	1	129150-35111	GASKET, (NON-ASB.)	1							
13	1	129150-35152	FILTER 80X80L	1							
14	1	26106-080202	BOLT M 8X 20 PLATED	3							
15	1	114250-39450	SWITCH,(0.5KG)L.O.	1							
16	1	124160-39140	BOLT 10, PIPE JOINT	1							
17	1	119802-39450	PIPE ASSY, LUB. OIL	1							
18	1	129005-59830	BOLT ASSY, JOINT	1							
19	2	23857-030000	JOINT BOLT 3	1							
20	2	22190-080002	SEAL WASHER 8S	1							
21	1	22190-080002	SEAL WASHER 8S	1							
22	1	22190-100002	SEAL WASHER 10S	2							
23	1	26366-060002	NUT M 6	1							

Remarks
 (REMARKS)"EFFECTIVE MACHINE NO." OF
 ENGINE IS INDICATED ON THE
 ENGINE LABEL WHICH IS SHOWN
 IN FIG.4.

(A)=3TNV84-NRE (D)=
 (B)= (E)=
 (C)= (F)=

Fig.11. COOLING WATER SYSTEM

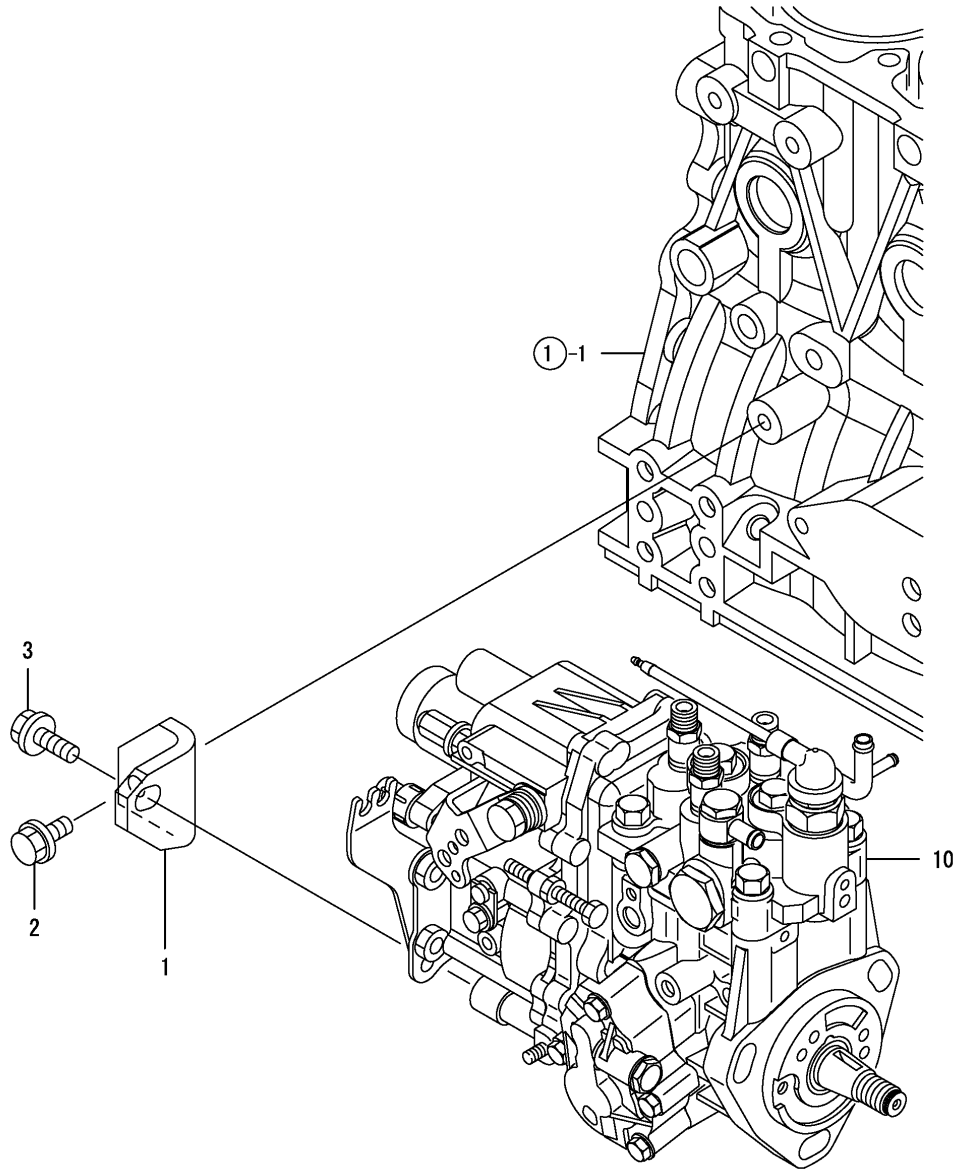


REF.	LEV.	PARTS NO.	DESCRIPTION	QTY						I	R
				(A)	(B)	(C)	(D)	(E)	(F)		
1	1	129055-42010	PUMP ASSY, WATER	1							
3	2	129457-42050	PACKING	1							
4	2	129457-42120	PLATE	1							
8	2	129150-42300	PIPE, C. W. PUMP	1							
9	2	129150-42311	GASKET, (NON-ASB.)	1							
11	2	129054-42320	O-RING	1							
12	2	121850-42410	SCREW	1							
13	2	26106-060202	BOLT M 6X 20 PLATED	2							
14	2	26116-060162	BOLT M 6X16	5							
15	2	119852-49300	ELBOW R3/8	1							
16	2	129055-49300	ELBOW, R3/8	1							
17	1	129486-42050	GASKET	1							
18	1	26106-080552	BOLT M 8X 55 PLATED	2							
19	1	26106-080602	BOLT M 8X 60 PLATED	1							
20	1	26106-080702	BOLT M 8X 70 PLATED	1							
21	1	129550-42350	V-PULLEY(D=120)	1							
22	1	25132-003900	V-BELT (A-39)	1							
23	1	129556-44740	FAN, COOLING	1							
24	1	171353-44760	SPACER	1							
25	1	26106-060402	BOLT M 6X 40 PLATED	4							
26	1	129457-49801	THERMOSTAT(82)	1							
27	1	129150-49811	GASKET, (NON-ASB.)	1							
28	1	129795-49551	GASKET, (NON-ASB.)	1							
29	1	119852-49530	COVER, THERMOSTAT	1							
30	1	121550-49111	JOINT PT1/4	1							
31	1	129054-42450	PLUG, M12X1.5	1							
32	1	124250-49351	THERMOMETER	1							
33	1	129150-49360	GASKET 10	1							
34	1	26106-080282	BOLT M 8X 28 PLATED	1							
35	1	26106-080652	BOLT M 8X 65 PLATED	1							
36	1	22190-120002	SEAL WASHER 12	1							
37	1	129107-44901	SENSOR,HOT WATER	1							
38	1	124465-44950	GASKET 16	1							
39	1	129055-49320	CAP, ELBOW	2							
40	1	23000-022000	CLAMP 22	2							

Remarks
 (REMARKS)"EFFECTIVE MACHINE NO." OF
 ENGINE IS INDICATED ON THE
 ENGINE LABEL WHICH IS SHOWN
 IN FIG.4.

Fig.12. FUEL INJECTION PUMP

(A)=3TNV84-NRE (D)=
 (B)= (E)=
 (C)= (F)=

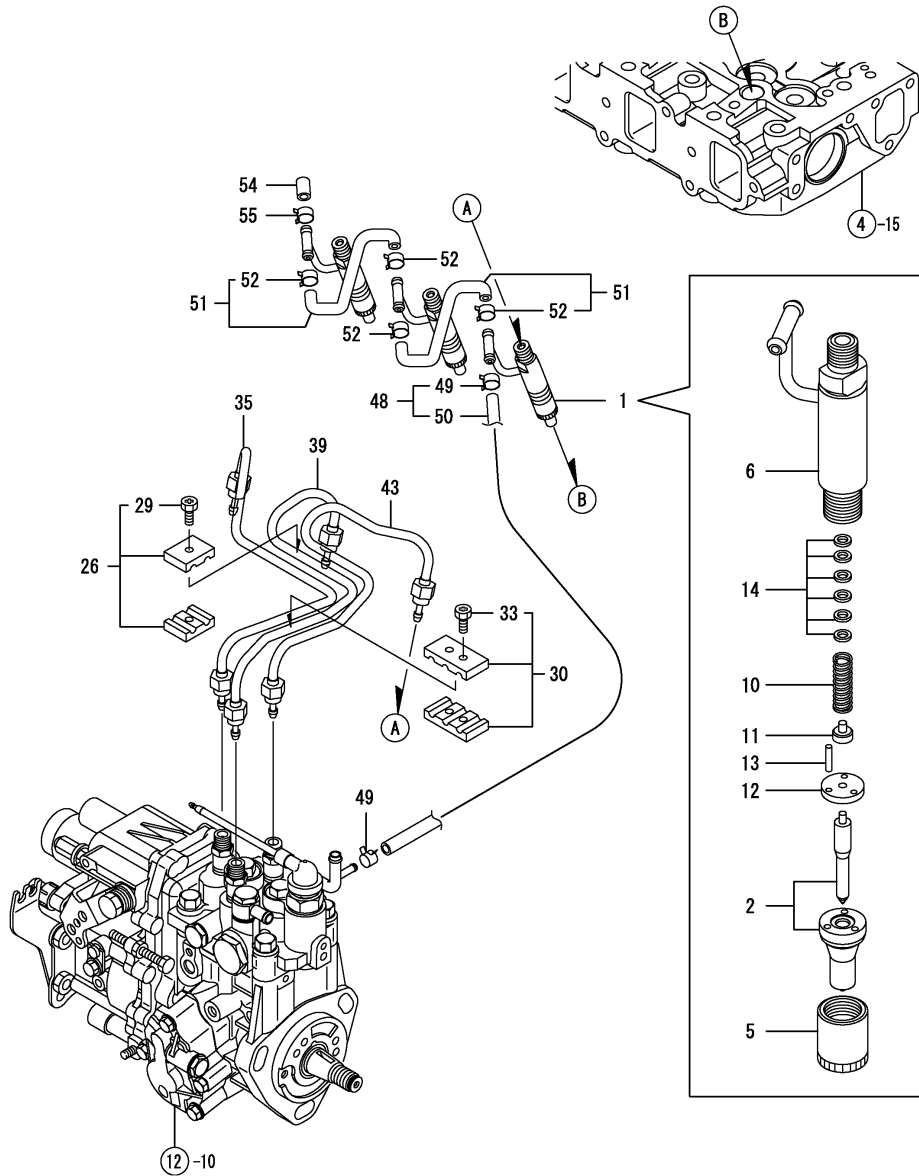


REF.	LEV.	PARTS NO.	DESCRIPTION	QTY						I	R
				(A)	(B)	(C)	(D)	(E)	(F)		
1	1	119802-51250	BRACKET, PUMP	1							
2	1	26106-080162	BOLT M 8X 16 PLATED	1							
3	1	26106-080202	BOLT M 8X 20 PLATED	1							
10	1	729055-51350	INJECTION PUMP ASSY	1							

Remarks
 (REMARKS)"EFFECTIVE MACHINE NO." OF
 ENGINE IS INDICATED ON THE
 ENGINE LABEL WHICH IS SHOWN
 IN FIG.4.

Fig.13. FUEL INJECTION VALVE

(A)=3TNV84-NRE (D)=
 (B)= (E)=
 (C)= (F)=

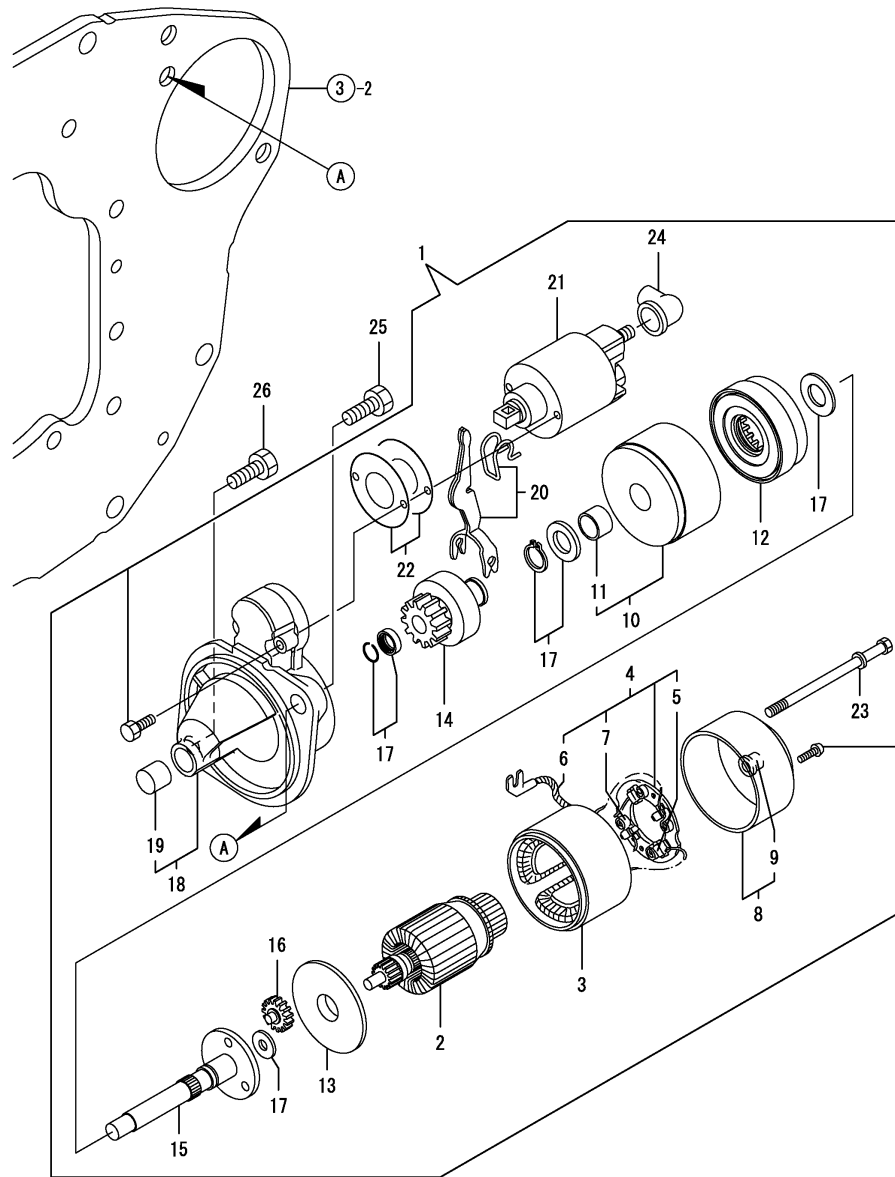


REF.	LEV.	PARTS NO.	DESCRIPTION	QTY						I	R
				(A)	(B)	(C)	(D)	(E)	(F)		
1	1	729244-53100	FUEL INJECTOR(WBC	3							
2	2	129234-53001	NOZZLE CMP	3							
5	2	114250-53080	NUT, NOZZLE CASE	3							
6	2	119802-53100	HOLDER ASSY, NOZZLE	3							
10	2	114250-53120	SPRING, NOZZLE	3							
11	2	114250-53130	SEAT, NOZZLE SPRING	3							
12	2	114250-53140	PLATE, STOP	3							
13	2	114250-53210	PIN	6							
14	2	114250-53400	SHIM PACK	3							
26	1	119305-59120	RETAINER	1							
29	2	129150-59131	BOLT M4X14,HEX.SCKT.	1							
30	1	129150-59120	RETAINER, INJ. PIPE	1							
33	2	129150-59131	BOLT M4X14,HEX.SCKT.	2							
35	1	129004-59810	PIPE ASSY, INJECTION	1							
39	1	129004-59820	PIPE ASSY, INJECTION	1							
43	1	129004-59830	PIPE ASSY, INJECTION	1							
48	1	119802-59550	PIPE ASSY, RETURN	1							
49	2	124722-59050	CLAMP 9	2							
50	2	119802-59560	PIPE, FUEL RETURN	1							
51	1	129486-59551	PIPE, FUEL RETURN	2							
52	2	124722-59050	CLAMP 9	4							
54	1	119593-59580	CAP	1							
55	1	124060-77680	CLAMP 10	1							

Remarks
 (REMARKS)"EFFECTIVE MACHINE NO." OF
 ENGINE IS INDICATED ON THE
 ENGINE LABEL WHICH IS SHOWN
 IN FIG.4.

Fig.14. STARTING MOTOR

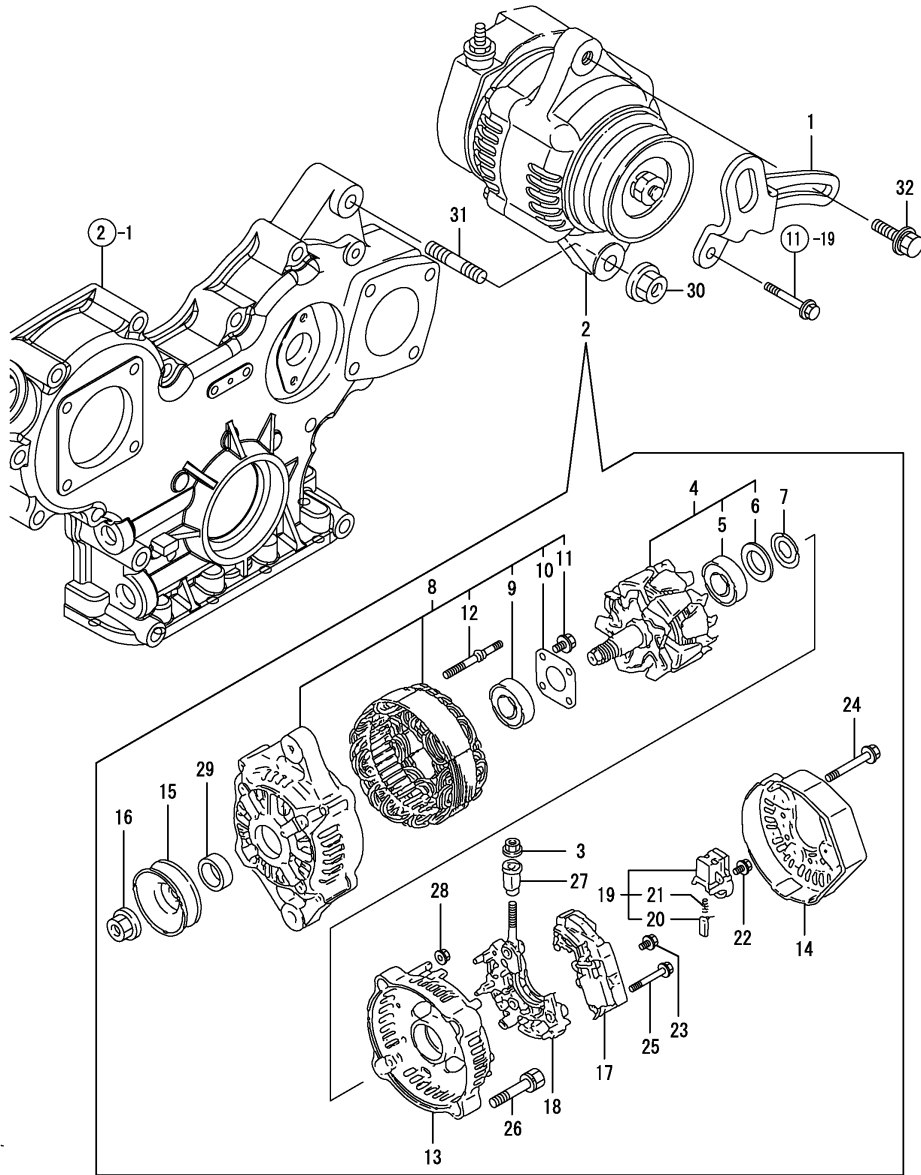
(A)=3TNV84-NRE (D)=
 (B)= (E)=
 (C)= (F)=



REF.	LEV.	PARTS NO.	DESCRIPTION	QTY						I	R
				(A)	(B)	(C)	(D)	(E)	(F)		
1	1	129052-77010	STARTER	1							
2	2	129698-77101	ARMATURE ASSY	1							
3	2	129698-77110	COIL ASSY, FIELD	1							
4	2	129698-77120	HOLDER ASSY,BRUSH	1							
5	3	129698-77130	BRUSH (-)	2							
6	3	129698-77140	BRUSH(+) SET	1							
7	3	129698-77150	SPRING, BRUSH	4							
8	2	129698-77161	COVER ASSY, REAR	1							
9	3	129698-77170	REAR COVER METAL	1							
10	2	129698-77180	BRACKET	1							
11	3	129698-77190	BRACKET	1							
12	2	129698-77200	INTERNAL GEAR	1							
13	2	129698-77210	BRACKET	1							
14	2	129698-77220	PINION ASSY	1							
15	2	129698-77230	SHAFT(PINION)	1							
16	2	129698-77240	GEAR	3							
17	2	129698-77250	WASHER SET	1							
18	2	129052-77030	HOUSING ASSY, GEARS	1							
19	3	X2114535200	METAL, STARTER	1							
20	2	129698-77270	LEVER, SHIFT	1							
21	2	129698-77020	MAGNETIC SWITCH ASSY	1							
22	2	129698-77280	COVER ASSY, DUST	1							
23	2	124195-77770	THROUGH BOLT	2							
24	2	X2114274200	COVER, TERMINAL	1							
25	1	129155-77060	BOLT, STARTER	1							
26	1	26116-120202	BOLT M12X 20 PLATED	1							

Remarks
 (REMARKS)"EFFECTIVE MACHINE NO." OF
 ENGINE IS INDICATED ON THE
 ENGINE LABEL WHICH IS SHOWN
 IN FIG.4.

Fig.15. GENERATOR



(A)=3TNV84-NRE (D)=
 (B)= (E)=
 (C)= (F)=

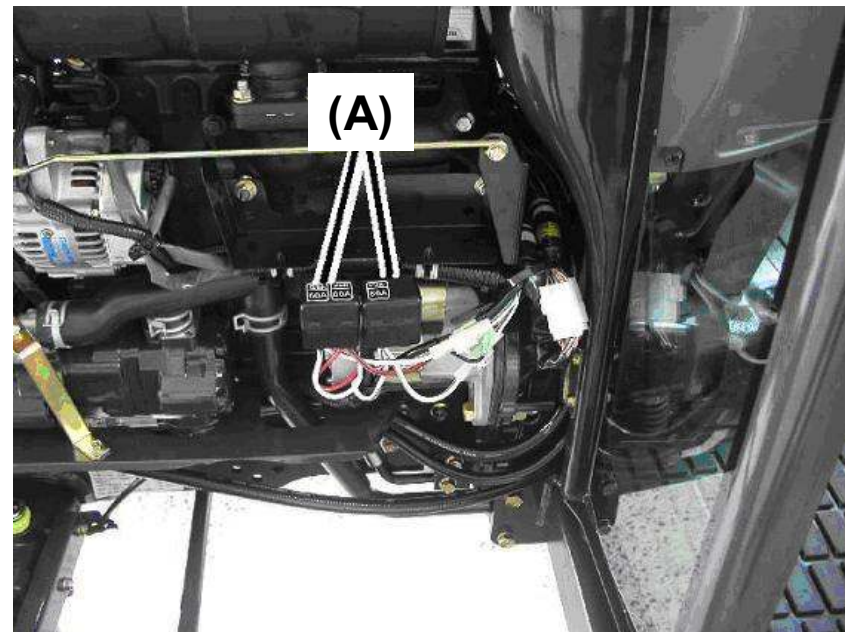
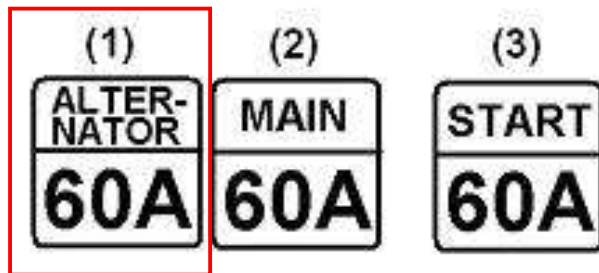
REF.	LEV.	PARTS NO.	DESCRIPTION	QTY						I	R
				(A)	(B)	(C)	(D)	(E)	(F)		
1	1	129263-77330	ADJUSTER, BELT	1							
2	1	129423-77200	GENERATOR	1							
3	2	X9490561001	NUT	1							
4	2	119620-77380	ROTOR ASSY	1							
5	3	123501-79240	BALL BEARING	1							
6	3	119620-79250	COVER, BEARING	1							
7	2	119620-79360	THRUST WASHER	1							
8	2	119620-77421	FLAME ASSY, DRIVE	1							
9	3	119620-79200	BALL BEARING	1							
10	3	119620-79210	PLATE	1							
11	3	119620-79220	SCREW	4							
12	3	119620-79230	BOLT, STUD	2							
13	2	119620-77440	FLAME ASSY, REAR	1							
14	2	129423-77450	COVER	1							
15	2	119620-77461	PULLEY	1							
16	2	119620-77471	NUT	1							
17	2	129423-77710	REGULATOR ASSY	1							
18	2	119620-79260	HOLDER	1							
19	2	129052-79270	HOLDER, BRUSH	1							
20	3	119620-77480	BRUSH ASSY	2							
21	3	119620-79280	SPRING	2							
22	2	119620-79290	SCREW	1							
23	2	119620-79300	SCREW	1							
24	2	119620-79310	BOLT	3							
25	2	119620-79320	SCREW W/WASHER	2							
26	2	119620-79330	BOLT	2							
27	2	119620-79340	INSULATION BUSH	1							
28	2	119620-79350	NUT	2							
29	2	119620-77490	COLLAR	1							
30	1	26306-100002	NUT	1							
31	1	129795-01900	STUD	1							
32	1	119810-77340	BOLT	1							

Remarks
 (REMARKS)"EFFECTIVE MACHINE NO." OF
 ENGINE IS INDICATED ON THE
 ENGINE LABEL WHICH IS SHOWN
 IN FIG.4.

1. Replace the slow blow fuse

Remove negative cable from battery.

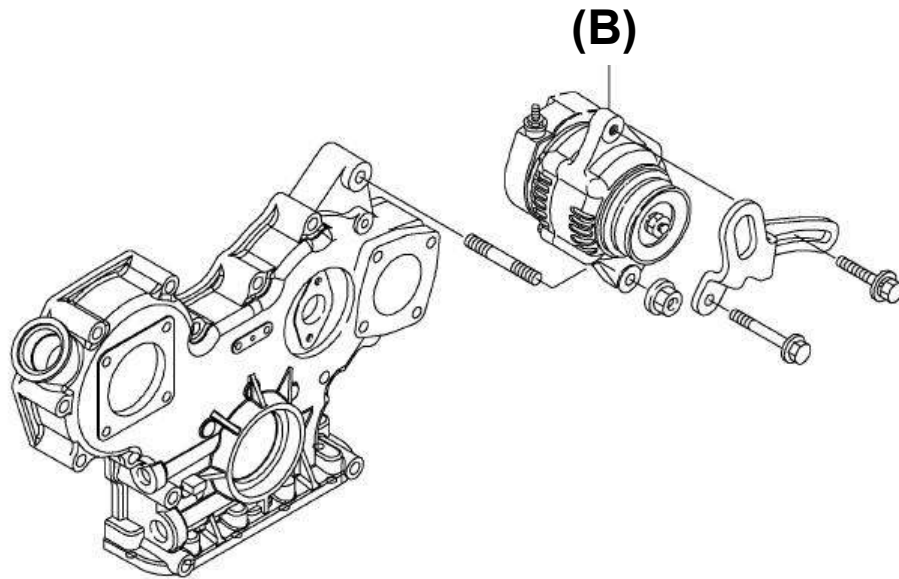
Replace the ALTERNATOR SLOW BLOW FUSE (1) to 80A fuse which is supplied with alternator.



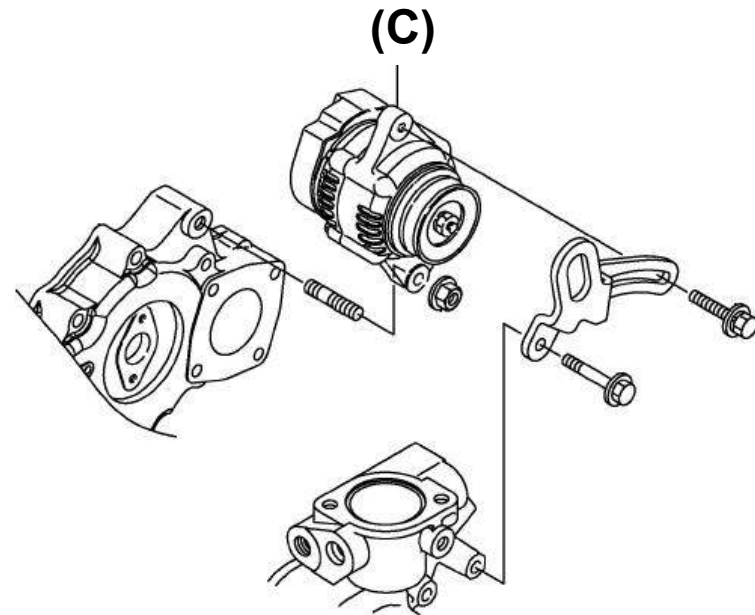
(A) – SLOW BLOW FUSE

2. Replace the alternator.

Replace to the large capacity alternator (C), 119626-77210.
Attach negative cable to battery.



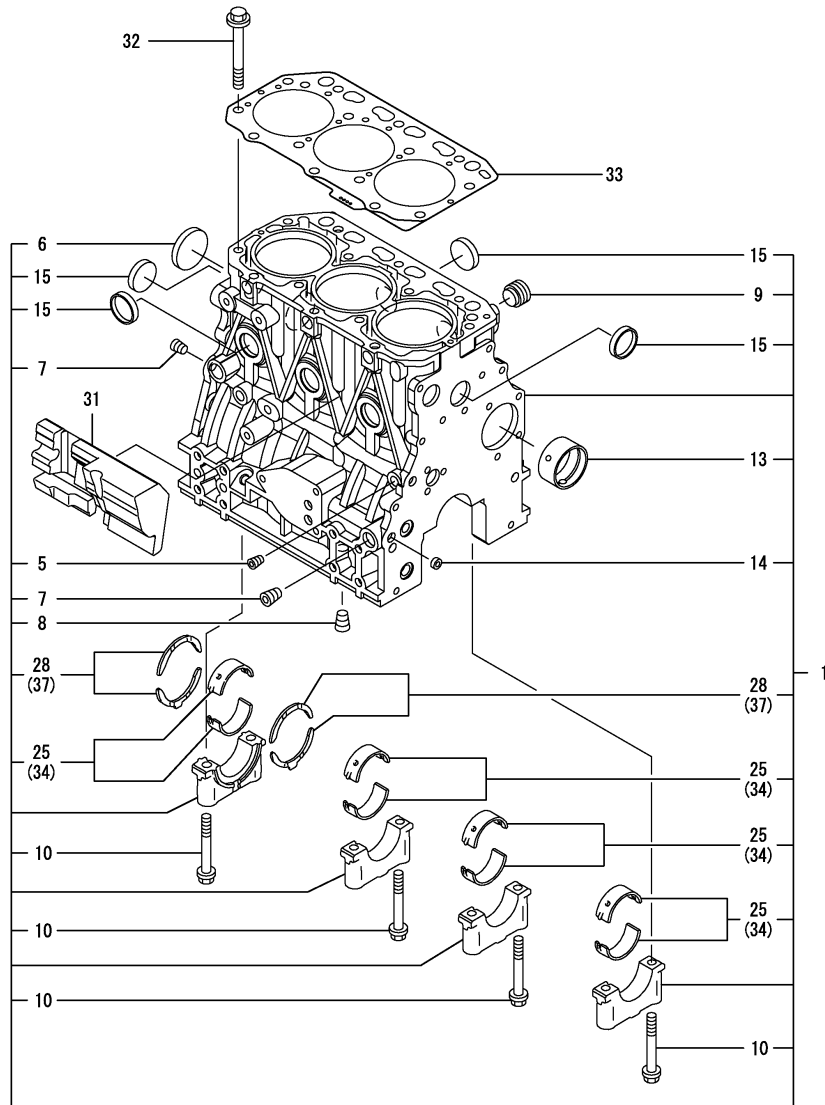
NORMAL
(B) 129423-77200 / GENERATOR, 12V-40A



LARGE CAPACITY
(C) 119626-77210 / ALTERNATOR 12V-55A

Fig.1. CYLINDER BLOCK

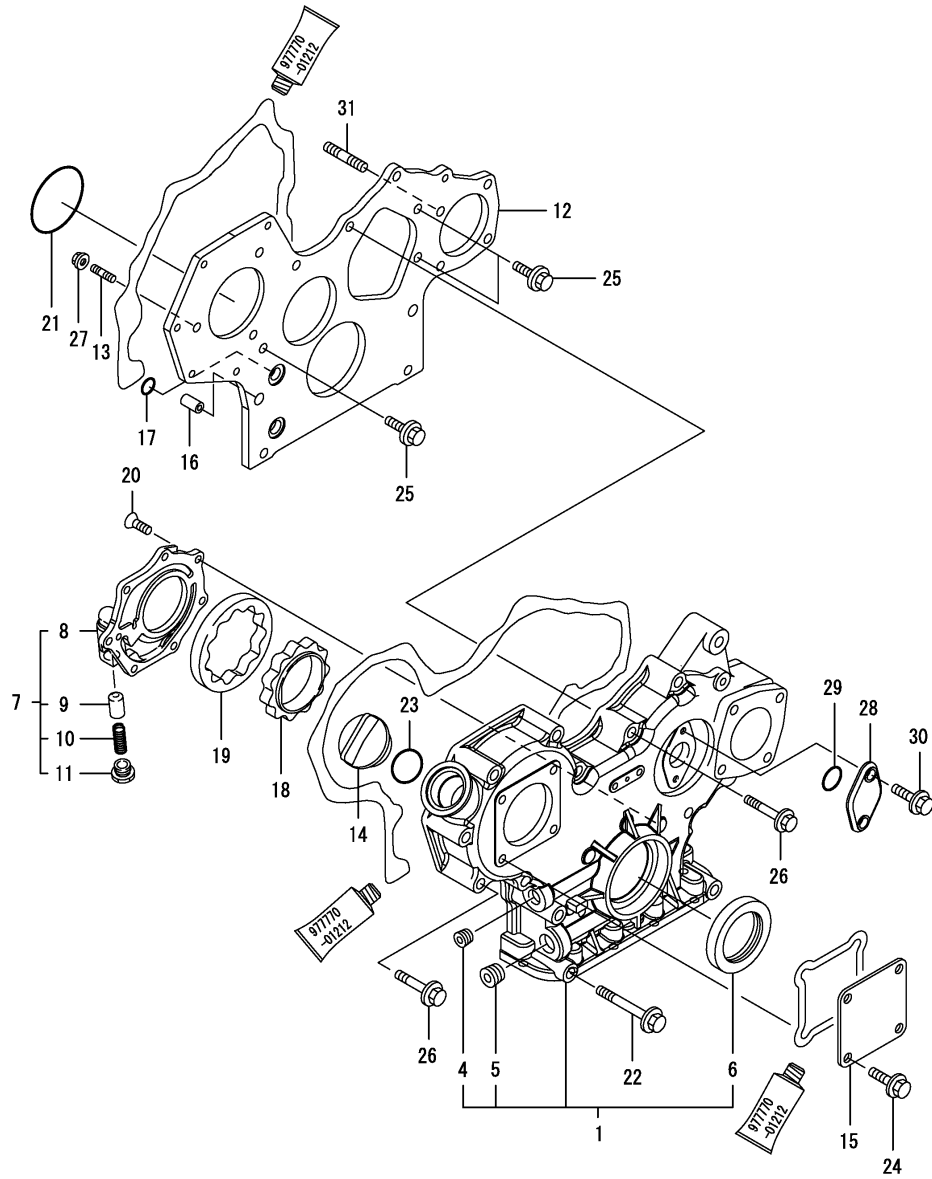
(A)=3TNV88-NRE (D)=
 (B)=3TNV88-MRE (E)=
 (C)= (F)=



REF.	LEV.	PARTS NO.	DESCRIPTION	QTY						I	R
				(A)	(B)	(C)	(D)	(E)	(F)		
1	1	729005-01560	BLOCK ASSY, CYLINDER	1	1						
5	2	124060-01050	PLUG PT1/8	1	1						
6	2	129001-01250	PLUG 50	1	1						
7	2	124160-01910	PLUG PT1/4	2	2						
8	2	124160-01910	PLUG PT1/4	1	1						
9	2	171051-01921	PLUG	1	1						
10	2	129150-02020	BOLT, METAL CAP	8	8						
13	2	129795-02411	BUSH, CAMSHAFT	1	1						
14	2	27241-120000	PLUG 12	2	2						
15	2	27241-300000	PLUG 30	6	6						
25	2	129001-02930	MAIN BEARING SET	4	4						3
28	2	129150-02930	METAL, THRUST	2	2						
31	1	129004-01190	SPACER	1	1						
32	1	129150-01200	STUD, CYL. HEAD	14	14						
33	1	129001-01340	GASKET, (NON-ASB.)	1	1						
34	1	129150-02870	MAIN METAL US=0.25	4	4						1
37	1	129150-02940	METAL, THRUST.25(2PIE	1	1						2

Remarks
 (1) UNDER-SIZE(U.S=0.25)PART.
 (2) OVER-SIZE(O.S=0.25)PART.
 (3) REPAIR PART.
 (REMARKS)"EFFECTIVE MACHINE NO." OF
 ENGINE IS INDICATED ON THE
 ENGINE LABEL WHICH IS SHOWN
 IN FIG.4.

Fig.2. GEAR HOUSING

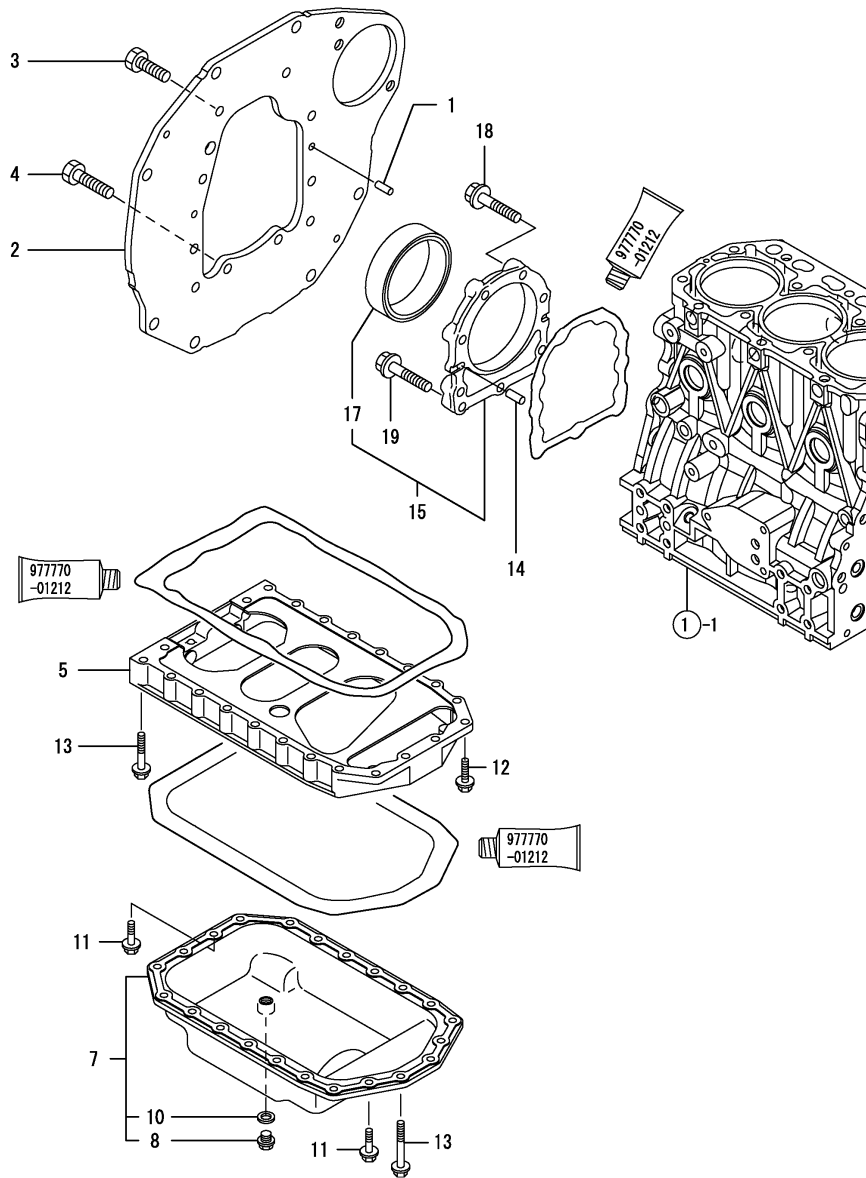


(A)=3TNV88-NRE (D)=
 (B)=3TNV88-MRE (E)=
 (C)= (F)=

REF.	LEV.	PARTS NO.	DESCRIPTION	QTY						
				(A)	(B)	(C)	(D)	(E)	(F)	
1	1	729004-01500	HOUSING ASSY, GEAR	1	1					
4	2	23876-030000	PLUG PT3/8,SCREW	1	1					
5	2	23876-040000	PLUG PT 1/2	1	1					
6	2	129795-01800	SEAL, OIL	1	1					
7	1	119802-32100	COVER ASSY, PUMP	1	1					
8	2	119802-32070	COVER, LUB.OIL PUMP	1	1					
9	2	129900-32130	VALVE, RELIEF	1	1					
10	2	129418-32320	SPRING	1	1					
11	2	129001-32330	PLUG	1	1					
12	1	129004-01520	FRANGE, GEAR CASE	1	1					
13	1	119802-01560	STUD, M8X25	3	3					
14	1	124160-01751	COVER,FILLER	1	1					
15	1	124240-01871	COVER, HO-P	1	1					
16	1	129795-01950	PIPE, KNOCK L=18	2	2					
17	1	119609-32040	O-RING P16	4	4					
18	1	119802-32111	ROTOR, INNER	1	1					
19	1	119802-32120	ROTOR, OUTER	1	1					
20	1	119802-32130	SCREW, M6X16	7	7					
21	1	121850-51960	O-RING, F.I.PUMP	1	1					
22	1	129001-91841	BOLT M 8X 85 PLATED	3	3					
23	1	24311-000320	O-RING 1A P-32.0	1	1					
24	1	26106-080162	BOLT M 8X 16 PLATED	4	4					
25	1	26106-080162	BOLT M 8X 16 PLATED	3	3					
26	1	26106-080552	BOLT M 8X 55 PLATED	11	11					
27	1	26306-080002	NUT	3	3					
28	1	121023-01550	COVER, BLIND	1	1					
29	1	24341-000240	O-RING 1A S-24.0	1	1					
30	1	26106-060162	BOLT M 6X 16 PLATED	2	2					
31	1	129150-01580	STUD 8 X 30	1	1					

Remarks
 (REMARKS)"EFFECTIVE MACHINE NO." OF
 ENGINE IS INDICATED ON THE
 ENGINE LABEL WHICH IS SHOWN
 IN FIG.4.

Fig.3. MOUNTING FLANGE & OIL SUMP



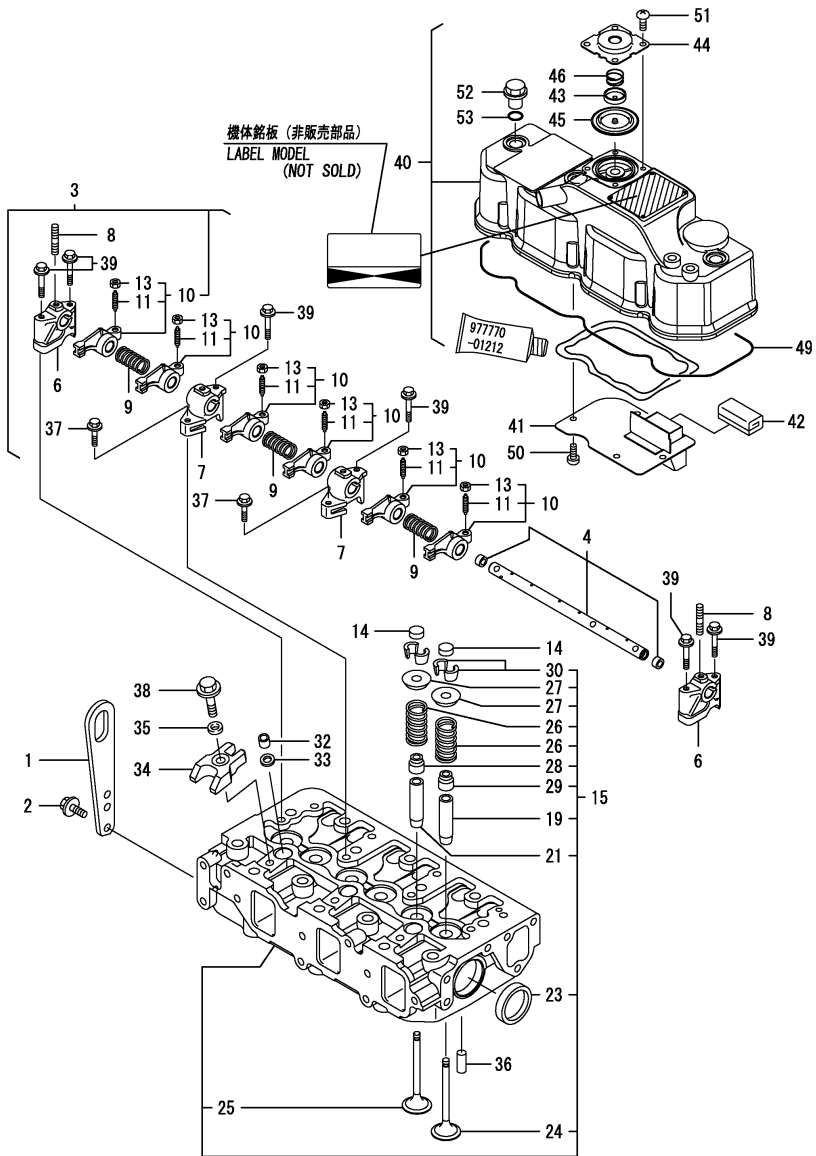
NPC-4321 3. MOUNTING FLANGE & OIL SUMP

(A)=3TNV88-NRE (D)=
 (B)=3TNV88-MRE (E)=
 (C)= (F)=

REF.	LEV.	PARTS NO.	DESCRIPTION	QTY						
				(A)	(B)	(C)	(D)	(E)	(F)	
1	1	129100-01580	PARALLEL PIN 8X16	2	2					
2	1	119852-01600	FLANGE, MOUNTING	1	1					
3	1	26206-100202	BOLT M10X20	6	6					
4	1	26206-100252	BOLT M10X25	4	4					
5	1	129100-01730	SPACER, OIL SUMP	1	1					
7	1	129055-01770	SUMP, LUB.OIL	1	1					
8	2	129054-01640	DRAIN PLUG	1	1					
10	2	22190-120002	SEAL WASHER 12	1	1					
11	1	26106-080162	BOLT M 8X 16 PLATED	4	4					
12	1	26106-080252	BOLT M 8X 25 PLATED	2	2					
13	1	26106-080452	BOLT M 8X 45 PLATED	20	20					
14	1	129100-01580	PARALLEL PIN 8X16	2	2					
15	1	129100-01640	CASE ASSY, OIL SEAL	1	1					
17	2	129795-01780	SEAL, OIL	1	1					
18	1	129486-01670	BOLT M8X30,COLLAR HD	6	6					
19	1	26106-080352	BOLT M 8X 35 PLATED	3	3					

Remarks
 (REMARKS)"EFFECTIVE MACHINE NO." OF
 ENGINE IS INDICATED ON THE
 ENGINE LABEL WHICH IS SHOWN
 IN FIG.4.

Fig.4. CYLINDER HEAD & BONNET

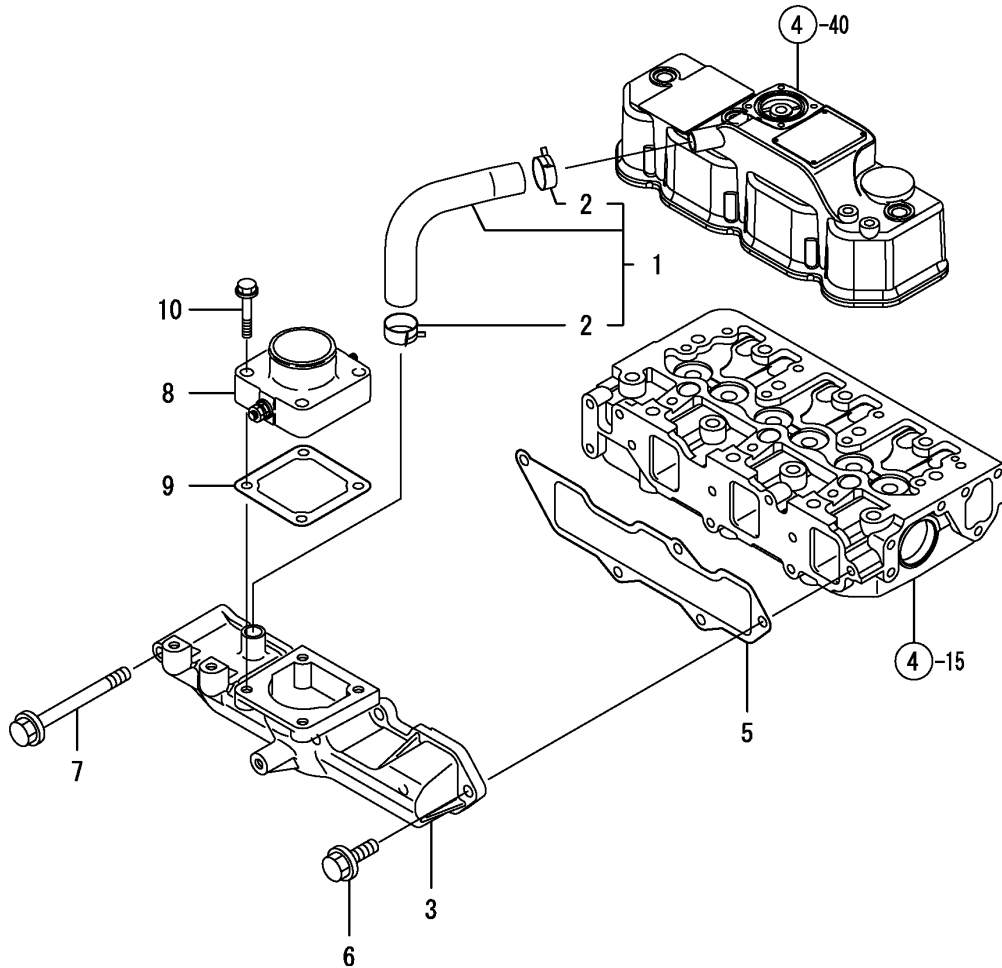


Remarks
 (1) REPAIR PART.
 (REMARKS)"EFFECTIVE MACHINE NO." OF
 ENGINE IS INDICATED ON THE
 ENGINE LABEL WHICH IS SHOWN
 IN FIG.4.

(A)=3TNV88-NRE (D)=
 (B)=3TNV88-MRE (E)=
 (C)= (F)=

REF.	LEV.	PARTS NO.	DESCRIPTION	QTY						I	R
				(A)	(B)	(C)	(D)	(E)	(F)		
1	1	129900-07900	LIFTER, ENGINE	1	1						
2	1	26106-080142	BOLT M 8X 14 PLATED	2	2						
3	1	129004-11241	SHAFT ASSY, ROCKER	1	1						
4	2	129004-11251	SHAFT, ROCKER ARM	1	1						
6	2	119802-11260	SUPPORT, ROCKER ARM	2	2						
7	2	119802-11270	SUPPORT, ROCKER ARM	2	2						
8	2	119802-11280	STUD	3	3						
9	2	129150-11280	SPRING	3	3						
10	2	129004-11650	ARM ASSY, ROCKER	6	6						
11	3	129150-11230	SCREW, VALVE	6	6						
13	3	129150-11750	NUT M8XP1.0	6	6						
14	1	129150-11370	CAP, VALVE	6	6						
15	1	129004-11700	HEAD ASSY, CYLINDER	1	1						
19	2	120130-11860	GUIDE, VALVE	3	3						1
21	2	129150-11810	GUIDE, VALVE	3	3						1
23	2	27241-400000	PLUG 40	2	2						
24	2	129004-11101	VALVE, INTAKE	3	3						
25	2	129100-11111	VALVE, EXHAUST	3	3						
26	2	129795-11120	SPRING, VALVE	6	6						
27	2	129795-11180	RETAINER, SPRING	6	6						
28	2	121400-11340	SEAL, VALVE STEM	3	3						
29	2	124460-11340	SEAL, VALVE STEM	3	3						
30	2	27310-080001	COTTER 8	6	6						
32	1	119802-11870	PROTECTOR, NOZZLE	3	3						
33	1	119625-11880	SEAT, NOZZLE	3	3						
34	1	129004-11900	RETAINER, NOZZLE	3	3						
35	1	120270-54410	WASHER	3	3						
36	1	22351-060012	SPRING PIN 6X12	2	2						
37	1	26106-080252	BOLT M 8X 25 PLATED	2	2						
38	1	26106-080352	BOLT M 8X 35 PLATED	3	3						
39	1	26106-080502	BOLT M 8X 50 PLATED	6	6						
40	1	129055-11350	BONNET ASSY, HEAD	1	1						
41	2	129004-03010	PLATE, BAFFLE	1	1						
42	2	129150-03070	BAFFLE, BREATHER	1	1						
43	2	119802-03110	PLATE, DIAPHRAGM	1	1						
44	2	119802-03121	COVER, DIAPHRAGM	1	1						
45	2	119802-03130	DIAPHRAGM	1	1						
46	2	119802-03141	SPRING, DIAPHRAGM	1	1						
49	2	129004-11310	GASKET, BONNET	1	1						
50	2	22857-500100	SCREW 5X10,TAPPING	4	4						
51	2	22857-500100	SCREW 5X10,TAPPING	4	4						
52	1	124160-11360	KNOB	3	3						
53	1	24311-000120	O-RING 1A P 12.0	3	3						

Fig.5. SUCTION MANIFOLD



NPC-4321 5. SUCTION MANIFOLD

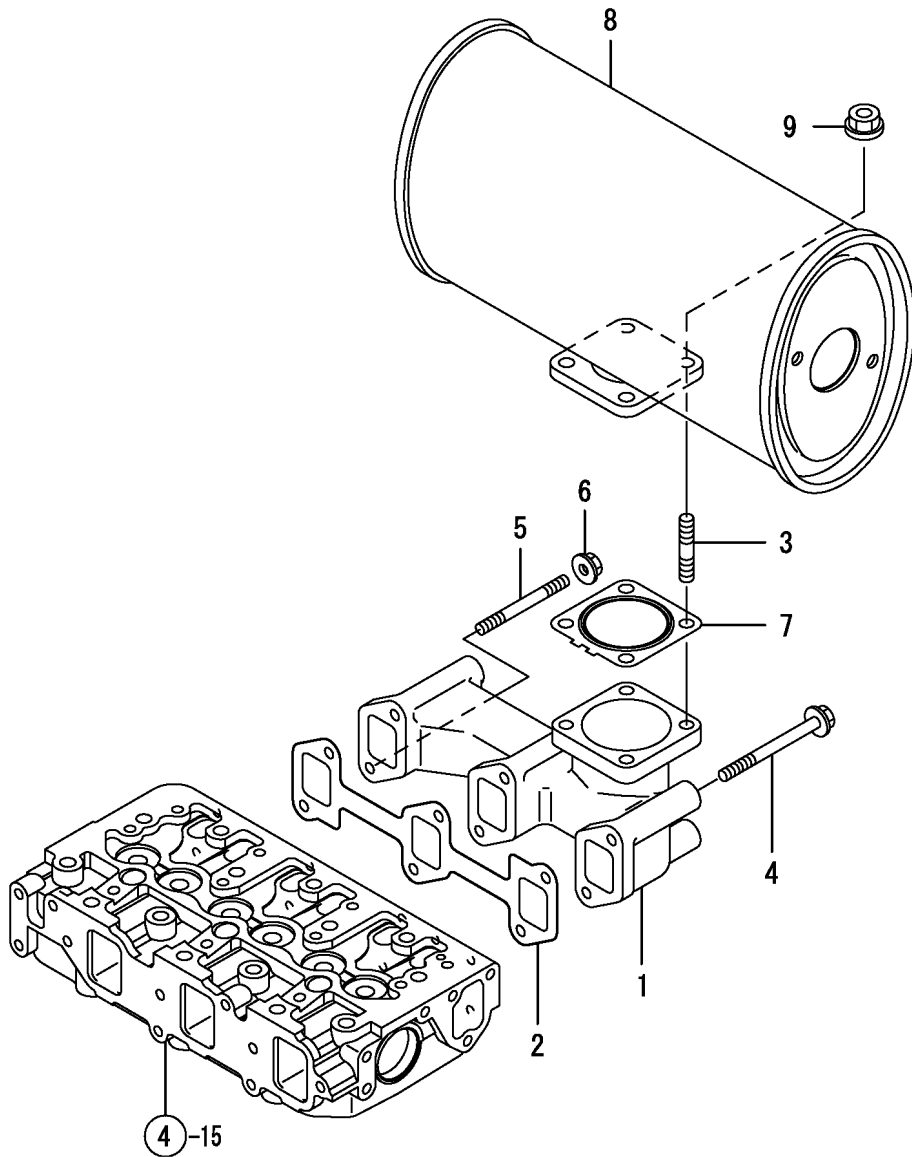
(A)=3TNV88-NRE (D)=
 (B)=3TNV88-MRE (E)=
 (C)= (F)=

REF.	LEV.	PARTS NO.	DESCRIPTION	QTY						I	R
				(A)	(B)	(C)	(D)	(E)	(F)		
1	1	129005-03080	PIPE, BREATHER	1	1						
2	2	129410-03990	CLAMP 24	2	2						
3	1	129005-12100	MANIFOLD, INTAKE	1	1						
5	1	129001-12110	GASKET,INT. MANIFOLD	1	1						
6	1	26106-080202	BOLT M 8X 20 PLATED	4	4						
7	1	26106-080802	BOLT M 8X 80 PLATED	1	1						
8	1	129120-77501	HEATER, AIR	1	1						
9	1	129150-77511	GASKET, (NON-ASB.)	1	1						
10	1	26106-080352	BOLT M 8X 35 PLATED	4	4						

Remarks
 (REMARKS)"EFFECTIVE MACHINE NO." OF
 ENGINE IS INDICATED ON THE
 ENGINE LABEL WHICH IS SHOWN
 IN FIG.4.

Fig.6. EXHAUST MANIFOLD & SILENCER

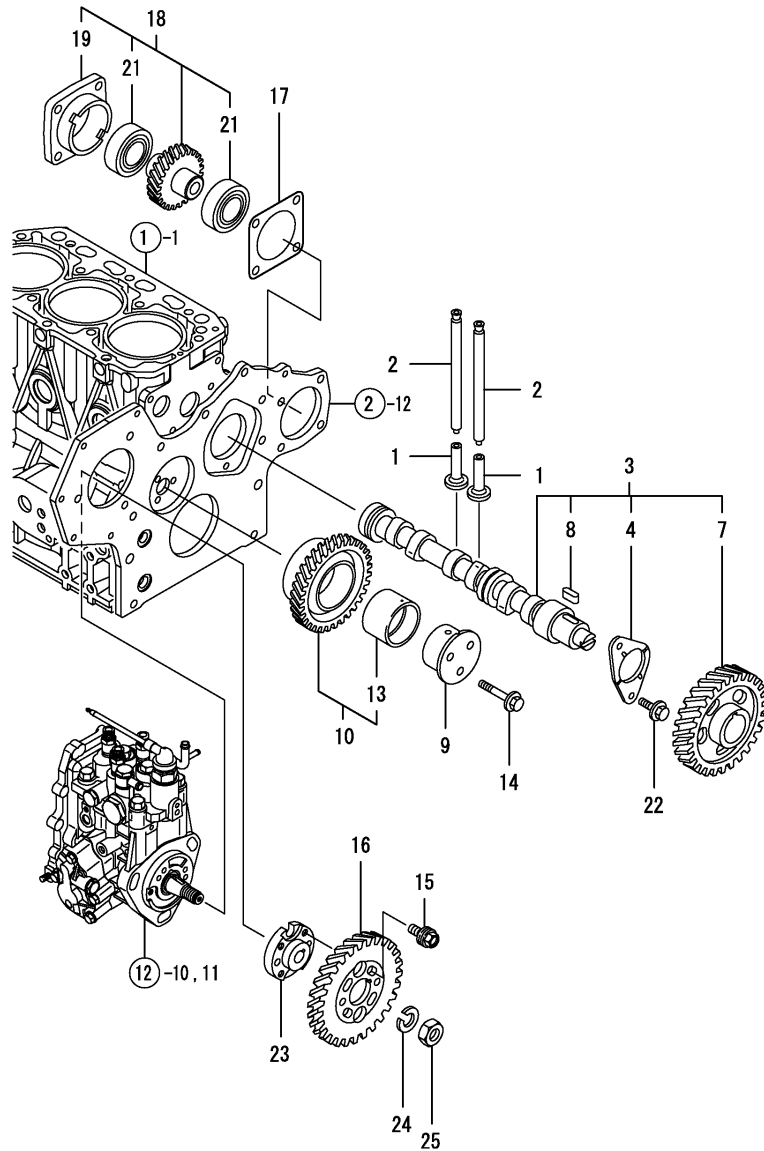
(A)=3TNV88-NRE (D)=
 (B)=3TNV88-MRE (E)=
 (C)= (F)=



REF.	LEV.	PARTS NO.	DESCRIPTION	QTY						I	R
				(A)	(B)	(C)	(D)	(E)	(F)		
1	1	171350-13100	MANIFOLD, EXHAUST	1	1						
2	1	129150-13110	GASKET, EXH.MANIFOLD	1	1						
3	1	119131-18320	BOLT M 8X 22	4	4						
4	1	123900-13630	BOLT 8X80	4	4						
5	1	129263-13220	BOLT M8X95	2	2						
6	1	26306-080002	NUT	2	2						
7	1	129004-13200	GASKET, SILENCER	1	1						
8	1	129055-13521	SILENCER	1	1						
9	1	26306-080002	NUT	4	4						

Remarks
 (REMARKS)"EFFECTIVE MACHINE NO." OF
 ENGINE IS INDICATED ON THE
 ENGINE LABEL WHICH IS SHOWN
 IN FIG.4.

Fig.7. CAMSHAFT & DRIVING GEAR

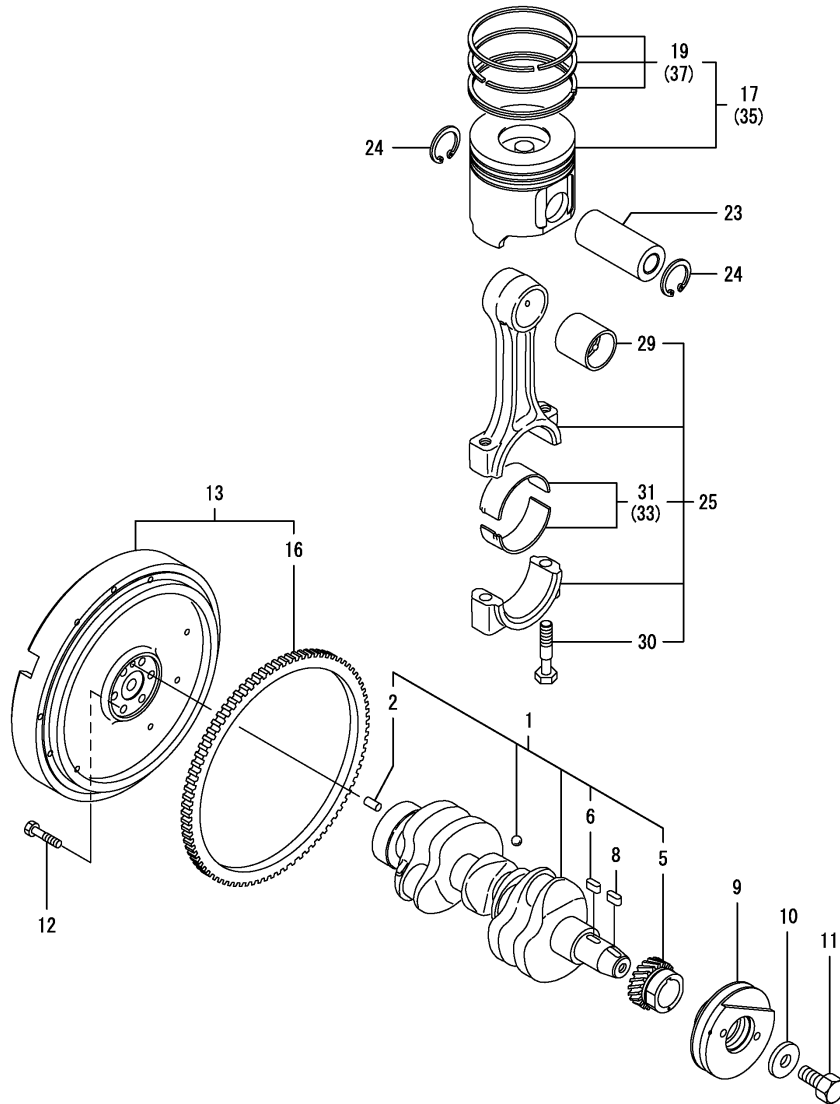


(A)=3TNV88-NRE (D)=
 (B)=3TNV88-MRE (E)=
 (C)= (F)=

REF.	LEV.	PARTS NO.	DESCRIPTION	QTY						I	R
				(A)	(B)	(C)	(D)	(E)	(F)		
1	1	129150-14200	TAPPET	6	6						
2	1	129150-14400	ROD, PUSH	6	6						
3	1	129129-14580	CAMSHAFT ASSY	1	1						
4	2	129150-02450	METAL,THRUST(CAM	1	1						
7	2	129150-14101	GEAR, CAMSHAFT	1	1						
8	2	22512-070140	KEY 7X 14	1	1						
9	1	119802-25051	SHAFT, IDLE GEAR	1	1						
10	1	119802-25100	GEAR ASSY, IDLE	1	1						
13	2	119802-25070	BUSH, IDLE GEAR	1	1						1
14	1	26106-080402	BOLT M 8X 40 PLATED	3	3						
15	1	129150-25301	BOLT,FI-P	4	4						
16	1	119802-25901	GEAR, PUMP	1	1						
17	1	129150-01881	GASKET, (NON ASB.)	1	1						
18	1	129150-26000	DRIVING SET, HO-PUMP	1	1						
19	2	129150-26050	BRACKET, HO-P	1	1						
21	2	24105-060064	BALL BEARING	2	2						
22	1	26106-080142	BOLT M 8X 14 PLATED	2	2						
23	1	158552-51151	FLANGE	1	1						
24	1	22217-140000	SPRING WASHER 14	1	1						
25	1	26776-140002	LOCK NUT M14 PLATED	1	1						

Remarks
 (1) REPAIR PART.
 (REMARKS)"EFFECTIVE MACHINE NO." OF
 ENGINE IS INDICATED ON THE
 ENGINE LABEL WHICH IS SHOWN
 IN FIG.4.

Fig.8. CRANKSHAFT & PISTON



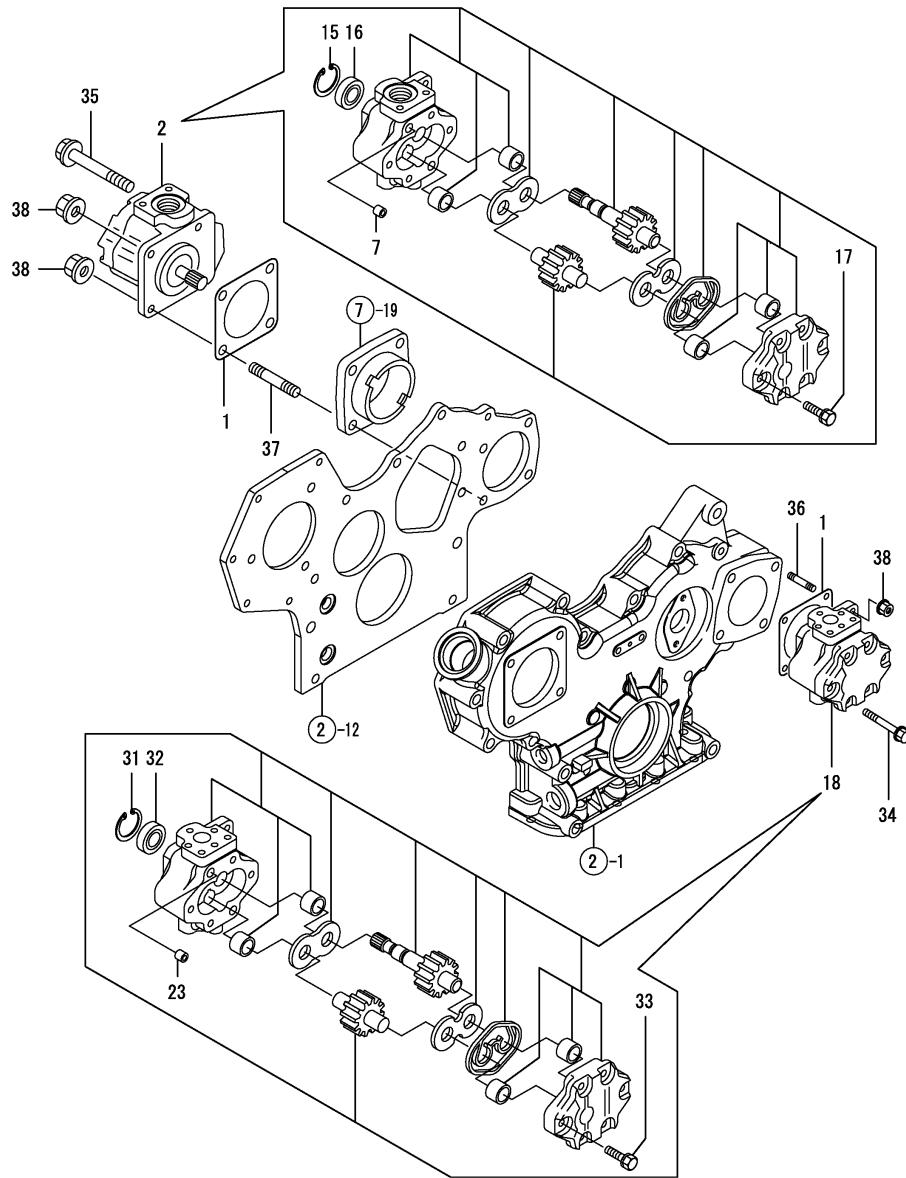
NPC-4321 8. CRANKSHAFT & PISTON

(A)=3TNV88-NRE (D)=
 (B)=3TNV88-MRE (E)=
 (C)= (F)=

REF.	LEV.	PARTS NO.	DESCRIPTION	QTY						I	R
				(A)	(B)	(C)	(D)	(E)	(F)		
1	1	129004-21002	CRANKSHAFT ASSY	1	1						
2	2	129100-01580	PARALLEL PIN 8X16	1	1						
5	2	119802-21202	GEAR, CRANKSHAFT	1	1						
6	2	22512-070140	KEY 7X 14	1	1						
8	1	22512-070140	KEY 7X 14	1	1						
9	1	129055-21650	V-PULLEY, CRANKSHAFT	1	1						
10	1	129795-21661	WASHER	1	1						
11	1	121850-21680	BOLT, V-PULLEY	1	1						
12	1	121111-21501	BOLT, FLYWHEEL	6	6						
13	1	129055-21592	FLYWHEEL ASSY	1	1						
16	2	124550-21600	RING GEAR	1	1						
17	1	129005-22080	PISTON ASSY	3	3						
19	2	129005-22500	RING SET, PISTON	3	3						
23	1	129202-22300	PIN, PISTON(D26,L70)	3	3						
24	1	22252-000260	CIRCLIP 26	6	6						
25	1	729402-23100	ROD ASSY, CONNECTING	3	3						
29	2	129100-23910	BUSH, PISTON PIN	3	3						1
30	2	121550-23200	BOLT, CONNECTING ROD	6	6						
31	2	129150-23600	BEARING, CRANKPIN	3	3						
33	1	129150-23610	METAL.PIN US=0.25	3	3						2
35	1	129005-22900	PISTON W/RING OS=.25	3	3						3
37	2	129005-22950	RING SET O.S=0.25	3	3						3

Remarks
 (1) REPAIR PART.
 (2) UNDER-SIZE(U.S=0.25)PART.
 (3) OVER-SIZE(O.S=0.25)PART.
 (REMARKS)"EFFECTIVE MACHINE NO." OF
 ENGINE IS INDICATED ON THE
 ENGINE LABEL WHICH IS SHOWN
 IN FIG.4.

Fig.9. HYDRAULIC PUMP



NPC-4321 9. HYDRAULIC PUMP

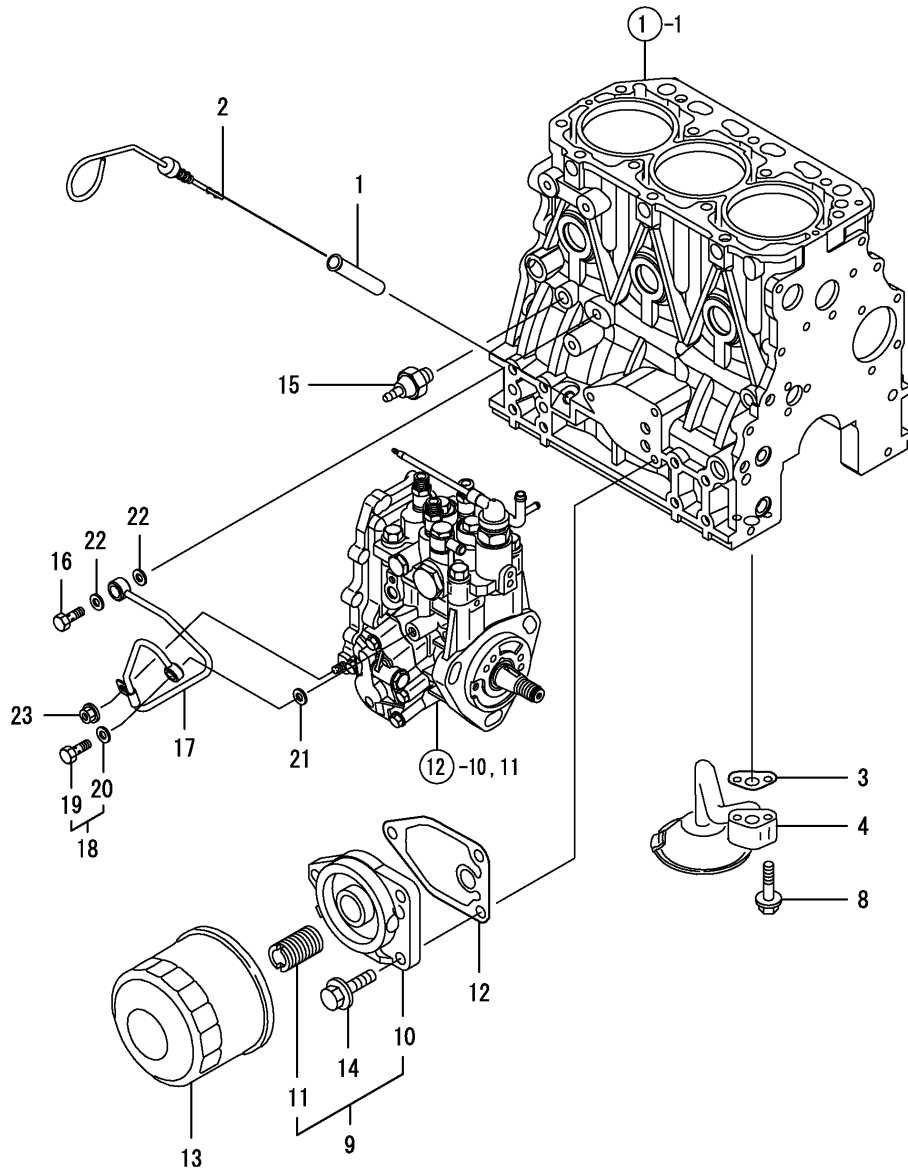
(A)=3TNV88-NRE (D)=
 (B)=3TNV88-MRE (E)=
 (C)= (F)=

REF.	LEV.	PARTS NO.	DESCRIPTION	QTY						I	R
				(A)	(B)	(C)	(D)	(E)	(F)		
1	1	124240-01883	GASKET, (NON-ASB.)	2	2						
2	1	198172-41110	PUMP, HYDRAULIC	1	1						
7	2	194521-41570	PIN 11X7	2	2						
15	2	22252-000320	CIRCLIP 32	1	1						
16	2	24421-153207	SEAL TC15 32 07, OIL	1	1						
17	2	26016-080352	BOLT M 8X 35	4	4						
18	1	198280-41150	PUMP ASSY, HYD. OIL	1	1						
23	2	194521-41570	PIN 11X7	2	2						
31	2	22252-000320	CIRCLIP 32	1	1						
32	2	24421-153207	SEAL TC15 32 07, OIL	1	1						
33	2	26016-080352	BOLT M 8X 35	4	4						
34	1	26106-080802	BOLT M 8X 80 PLATED	2	2						
35	1	26106-080952	BOLT M 8X 95 PLATED	2	2						
36	1	26216-080222	STUD M 8X 22 PLATED	2	2						
37	1	26216-080402	STUD M 8X 40 PLATED	1	1						
38	1	26306-080002	NUT	4	4						

Remarks
 (REMARKS)"EFFECTIVE MACHINE NO." OF
 ENGINE IS INDICATED ON THE
 ENGINE LABEL WHICH IS SHOWN
 IN FIG.4.

Fig.10. LUB.OIL SYSTEM

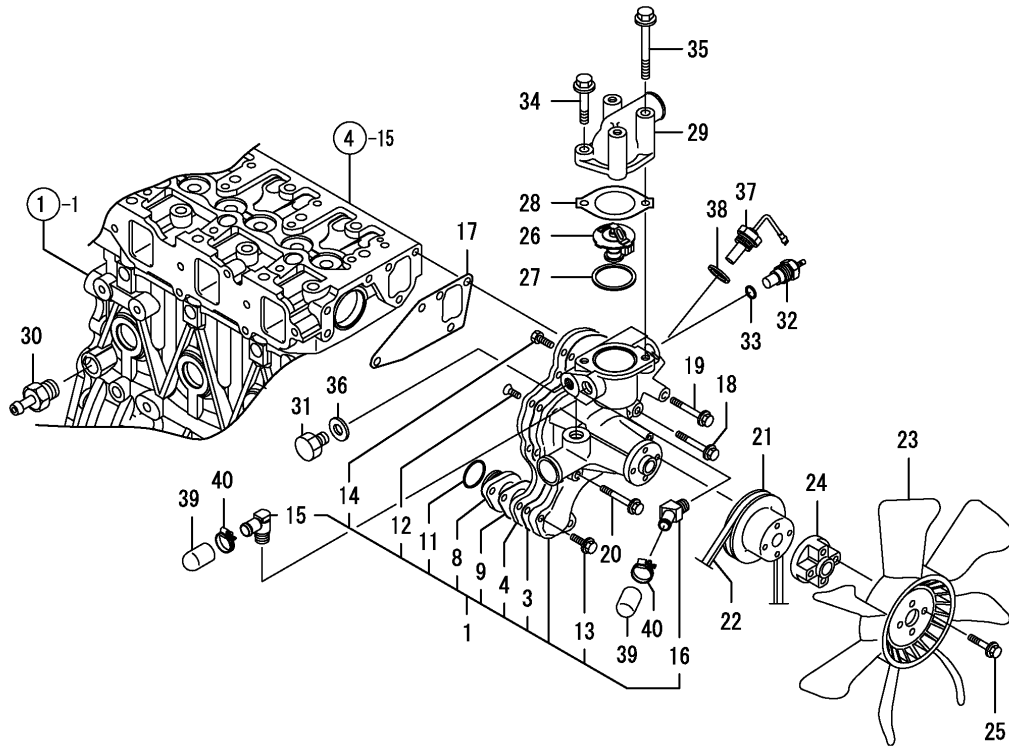
(A)=3TNV88-NRE (D)=
 (B)=3TNV88-MRE (E)=
 (C)= (F)=



REF.	LEV.	PARTS NO.	DESCRIPTION	QTY						I	R
				(A)	(B)	(C)	(D)	(E)	(F)		
1	1	121520-34810	GUIDE, DIPSTICK	1	1						
2	1	129055-34811	DIPSTICK, LUB.OIL	1	1						
3	1	129150-35042	GASKET, (NON-ASB.)	1	1						
4	1	129150-35091	PIPE ASSY, OIL INLET	1	1						
8	1	26106-080352	BOLT M 8X 35 PLATED	2	2						
9	1	119802-35100	BRACKET ASSY, FILTER	1	1						
10	2	119802-35110	BRACKET, FILTER	1	1						
11	2	129100-35140	STUD	1	1						
12	1	129150-35111	GASKET, (NON-ASB.)	1	1						
13	1	129150-35152	FILTER 80X80L	1	1						
14	1	26106-080202	BOLT M 8X 20 PLATED	3	3						
15	1	114250-39450	SWITCH,(0.5KG)L.O.	1	1						
16	1	124160-39140	BOLT 10, PIPE JOINT	1	1						
17	1	119802-39450	PIPE ASSY, LUB. OIL	1	1						
18	1	129005-59830	BOLT ASSY, JOINT	1	1						
19	2	23857-030000	JOINT BOLT 3	1	1						
20	2	22190-080002	SEAL WASHER 8S	1	1						
21	1	22190-080002	SEAL WASHER 8S	1	1						
22	1	22190-100002	SEAL WASHER 10S	2	2						
23	1	26366-060002	NUT M 6	1	1						

Remarks
 (REMARKS)"EFFECTIVE MACHINE NO." OF
 ENGINE IS INDICATED ON THE
 ENGINE LABEL WHICH IS SHOWN
 IN FIG.4.

Fig.11. COOLING WATER SYSTEM



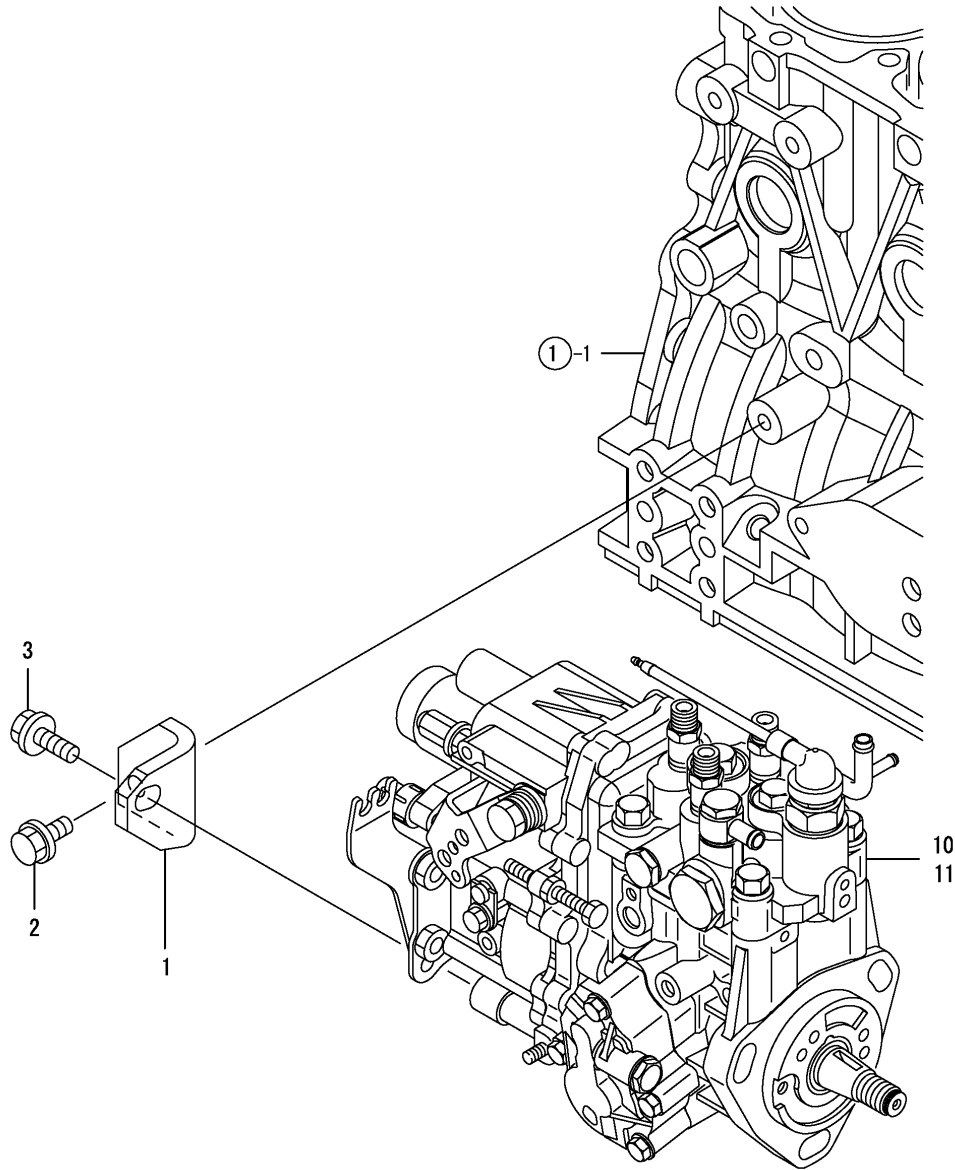
(A)=3TNV88-NRE (D)=
 (B)=3TNV88-MRE (E)=
 (C)= (F)=

REF.	LEV.	PARTS NO.	DESCRIPTION	QTY						I	R
				(A)	(B)	(C)	(D)	(E)	(F)		
1	1	129055-42010	PUMP ASSY, WATER	1	1						
3	2	129457-42050	PACKING	1	1						
4	2	129457-42120	PLATE	1	1						
8	2	129150-42300	PIPE, C. W. PUMP	1	1						
9	2	129150-42311	GASKET, (NON-ASB.)	1	1						
11	2	129054-42320	O-RING	1	1						
12	2	121850-42410	SCREW	1	1						
13	2	26106-060202	BOLT M 6X 20 PLATED	2	2						
14	2	26116-060162	BOLT M 6X16	5	5						
15	2	119852-49300	ELBOW R3/8	1	1						
16	2	129055-49300	ELBOW, R3/8	1	1						
17	1	129486-42050	GASKET	1	1						
18	1	26106-080552	BOLT M 8X 55 PLATED	2	2						
19	1	26106-080602	BOLT M 8X 60 PLATED	1	1						
20	1	26106-080702	BOLT M 8X 70 PLATED	1	1						
21	1	129550-42350	V-PULLEY(D=120)	1	1						
22	1	25132-003900	V-BELT (A-39)	1	1						
23	1	129556-44740	FAN, COOLING	1	1						
24	1	171353-44760	SPACER	1	1						
25	1	26106-060402	BOLT M 6X 40 PLATED	4	4						
26	1	129457-49801	THERMOSTAT(82)	1	1						
27	1	129150-49811	GASKET, (NON-ASB.)	1	1						
28	1	129795-49551	GASKET, (NON-ASB.)	1	1						
29	1	119852-49530	COVER, THERMOSTAT	1	1						
30	1	121550-49111	JOINT PT1/4	1	1						
31	1	129054-42450	PLUG, M12X1.5	1	1						
32	1	124250-49351	THERMOMETER	1	1						
33	1	129150-49360	GASKET 10	1	1						
34	1	26106-080282	BOLT M 8X 28 PLATED	1	1						
35	1	26106-080652	BOLT M 8X 65 PLATED	1	1						
36	1	22190-120002	SEAL WASHER 12	1	1						
37	1	129107-44901	SENSOR,HOT WATER	1	1						
38	1	124465-44950	GASKET 16	1	1						
39	1	129055-49320	CAP, ELBOW	2	2						
40	1	23000-022000	CLAMP 22	2	2						

Remarks
 (REMARKS)"EFFECTIVE MACHINE NO." OF
 ENGINE IS INDICATED ON THE
 ENGINE LABEL WHICH IS SHOWN
 IN FIG.4.

Fig.12. FUEL INJECTION PUMP

(A)=3TNV88-NRE (D)=
 (B)=3TNV88-MRE (E)=
 (C)= (F)=

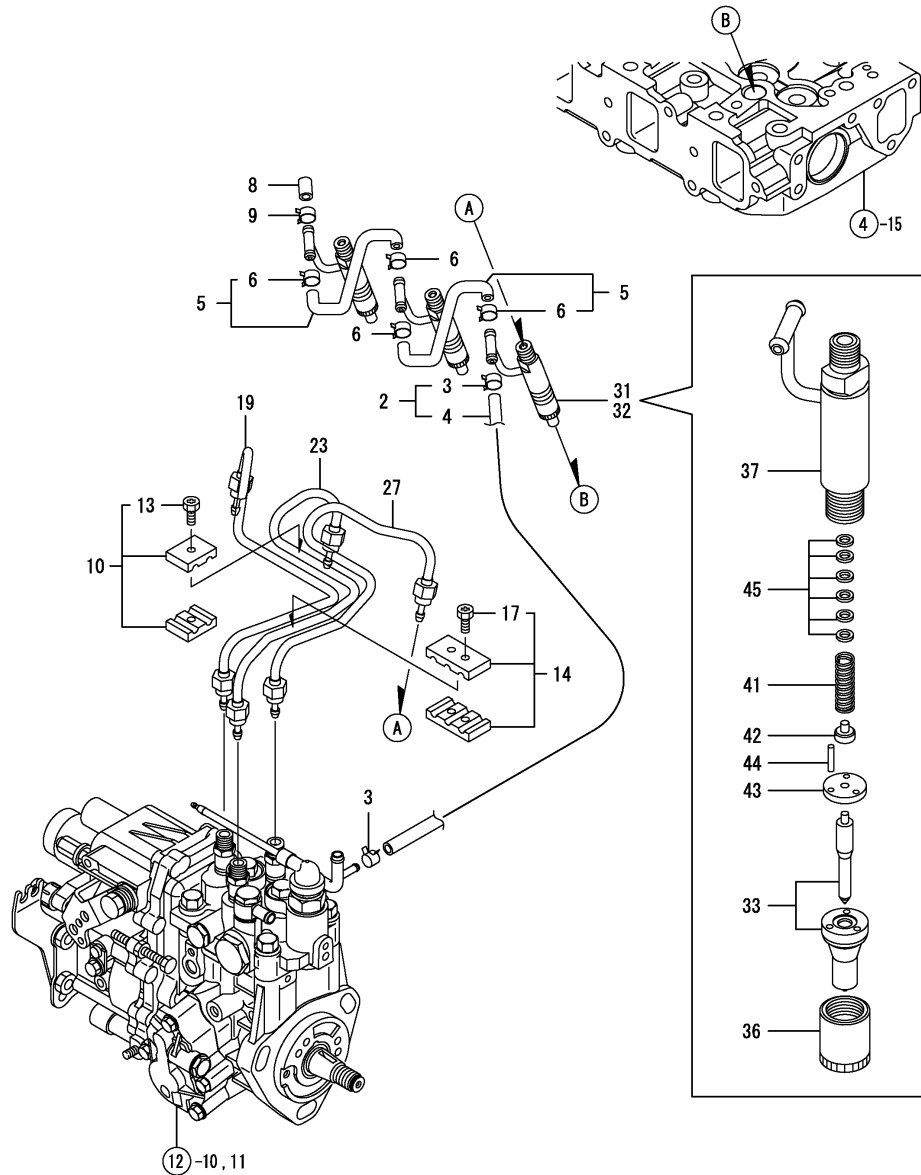


REF.	LEV.	PARTS NO.	DESCRIPTION	QTY						I	R
				(A)	(B)	(C)	(D)	(E)	(F)		
1	1	119802-51250	BRACKET, PUMP	1	1						
2	1	26106-080162	BOLT M 8X 16 PLATED	1	1						
3	1	26106-080202	BOLT M 8X 20 PLATED	1	1						
10	1	729066-51330	INJECTION PUMP ASSY	1							
11	1	729066-51320	INJECTION PUMP ASSY		1						

Remarks
 (REMARKS)"EFFECTIVE MACHINE NO." OF
 ENGINE IS INDICATED ON THE
 ENGINE LABEL WHICH IS SHOWN
 IN FIG.4.

Fig.13. FUEL INJECTION VALVE

(A)=3TNV88-NRE (D)=
 (B)=3TNV88-MRE (E)=
 (C)= (F)=

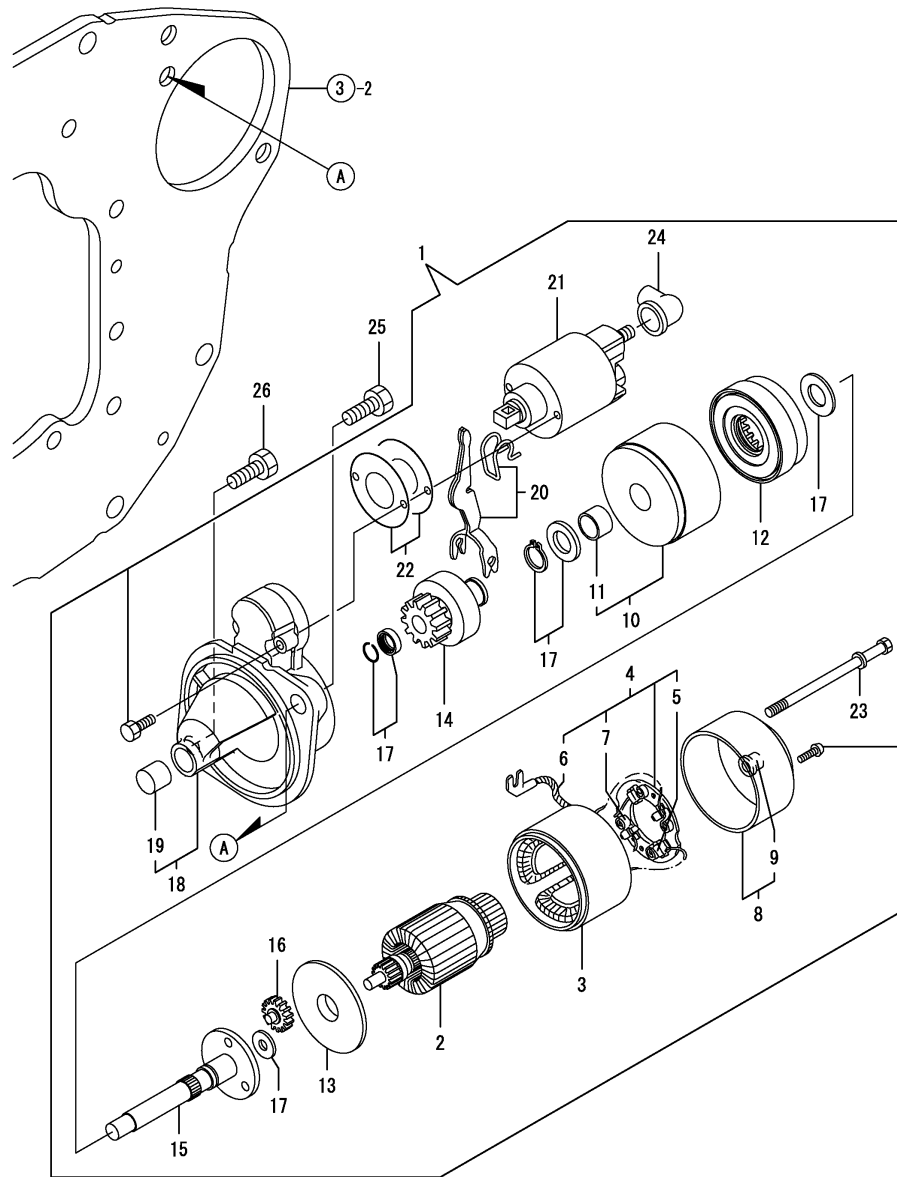


REF.	LEV.	PARTS NO.	DESCRIPTION	QTY						I	R
				(A)	(B)	(C)	(D)	(E)	(F)		
2	1	119802-59550	PIPE ASSY, RETURN	1	1						
3	2	124722-59050	CLAMP 9	2	2						
4	2	119802-59560	PIPE, FUEL RETURN	1	1						
5	1	129486-59551	PIPE, FUEL RETURN	2	2						
6	2	124722-59050	CLAMP 9	4	4						
8	1	119593-59580	CAP	1	1						
9	1	124060-77680	CLAMP 10	1	1						
10	1	119305-59120	RETAINER	1	1						
13	2	129150-59131	BOLT M4X14,HEX.SCKT.	1	1						
14	1	129150-59120	RETAINER, INJ. PIPE	1	1						
17	2	129150-59131	BOLT M4X14,HEX.SCKT.	2	2						
19	1	129004-59810	PIPE ASSY, INJECTION	1	1						
23	1	129004-59820	PIPE ASSY, INJECTION	1	1						
27	1	129004-59830	PIPE ASSY, INJECTION	1	1						
31	1	729245-53100	FUEL INJECTOR(WBC	3							
32	1	729004-53101	VALVE ASSY, F.INJECT		3						
33	2	129004-53001	NOZZLE CMP	3	3						
36	2	114250-53080	NUT, NOZZLE CASE	3	3						
37	2	119802-53100	HOLDER ASSY, NOZZLE	3	3						
41	2	114250-53120	SPRING, NOZZLE	3	3						
42	2	114250-53130	SEAT, NOZZLE SPRING	3	3						
43	2	114250-53140	PLATE, STOP	3	3						
44	2	114250-53210	PIN	6	6						
45	2	114250-53400	SHIM PACK	3	3						

Remarks
 (REMARKS)"EFFECTIVE MACHINE NO." OF
 ENGINE IS INDICATED ON THE
 ENGINE LABEL WHICH IS SHOWN
 IN FIG.4.

Fig.14. STARTING MOTOR

(A)=3TNV88-NRE (D)=
 (B)=3TNV88-MRE (E)=
 (C)= (F)=

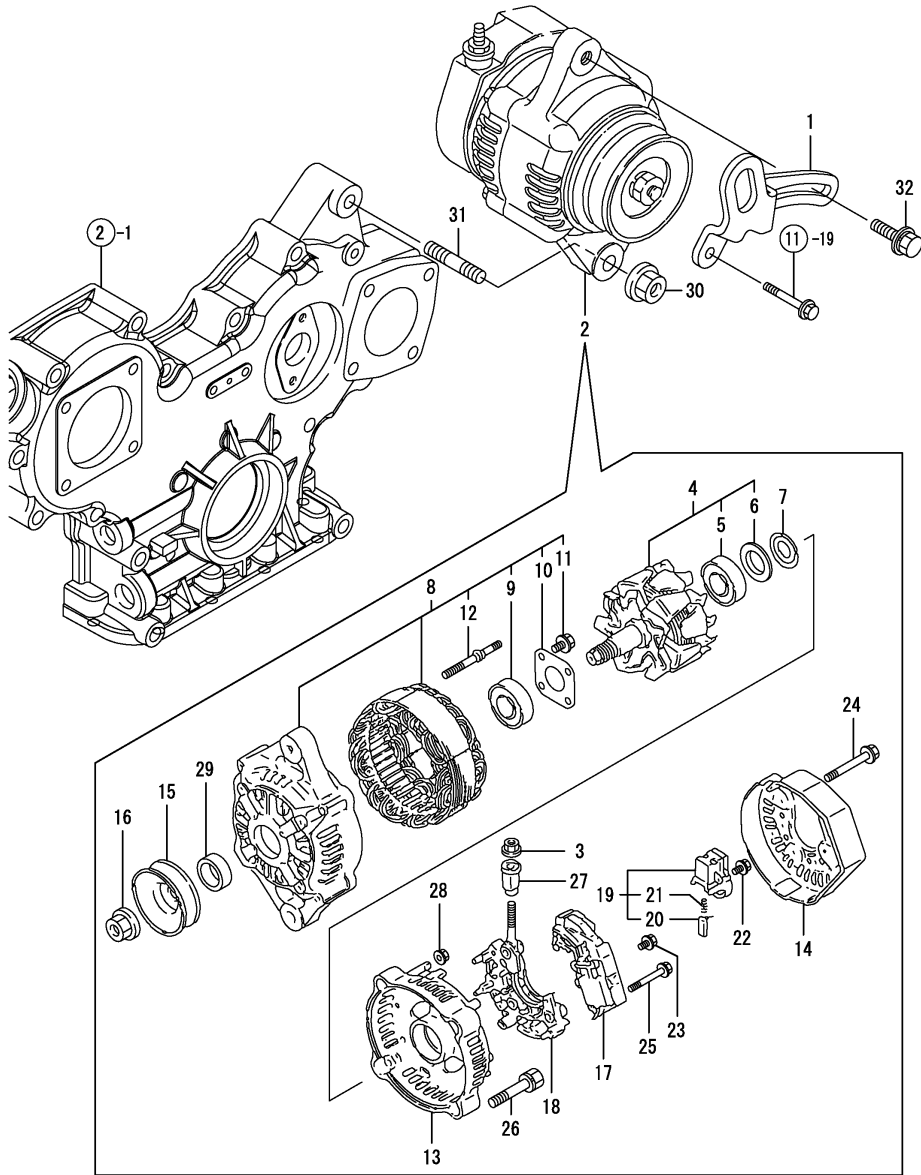


REF.	LEV.	PARTS NO.	DESCRIPTION	QTY						I	R
				(A)	(B)	(C)	(D)	(E)	(F)		
1	1	129052-77010	STARTER	1	1						
2	2	129698-77101	ARMATURE ASSY	1	1						
3	2	129698-77110	COIL ASSY, FIELD	1	1						
4	2	129698-77120	HOLDER ASSY,BRUSH	1	1						
5	3	129698-77130	BRUSH (-)	2	2						
6	3	129698-77140	BRUSH(+) SET	1	1						
7	3	129698-77150	SPRING, BRUSH	4	4						
8	2	129698-77161	COVER ASSY, REAR	1	1						
9	3	129698-77170	REAR COVER METAL	1	1						
10	2	129698-77180	BRACKET	1	1						
11	3	129698-77190	BRACKET	1	1						
12	2	129698-77200	INTERNAL GEAR	1	1						
13	2	129698-77210	BRACKET	1	1						
14	2	129698-77220	PINION ASSY	1	1						
15	2	129698-77230	SHAFT(PINION)	1	1						
16	2	129698-77240	GEAR	3	3						
17	2	129698-77250	WASHER SET	1	1						
18	2	129052-77030	HOUSING ASSY, GEARS	1	1						
19	3	X2114535200	METAL, STARTER	1	1						
20	2	129698-77270	LEVER, SHIFT	1	1						
21	2	129698-77020	MAGNETIC SWITCH ASSY	1	1						
22	2	129698-77280	COVER ASSY, DUST	1	1						
23	2	124195-77770	THROUGH BOLT	2	2						
24	2	X2114274200	COVER, TERMINAL	1	1						
25	1	129155-77060	BOLT, STARTER	1	1						
26	1	26116-120202	BOLT M12X 20 PLATED	1	1						

Remarks
 (REMARKS)"EFFECTIVE MACHINE NO." OF
 ENGINE IS INDICATED ON THE
 ENGINE LABEL WHICH IS SHOWN
 IN FIG.4.

Fig.15. GENERATOR

(A)=3TNV88-NRE (D)=
 (B)=3TNV88-MRE (E)=
 (C)= (F)=



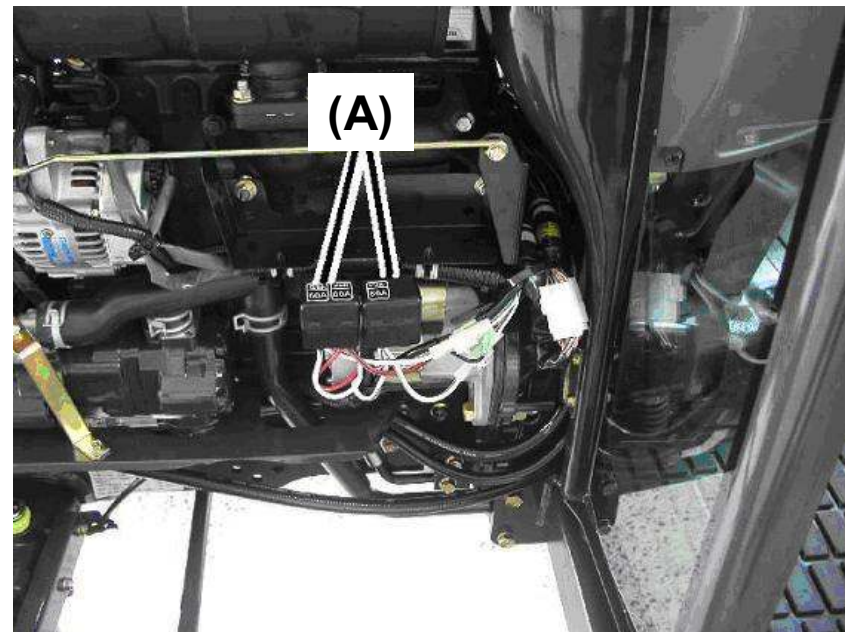
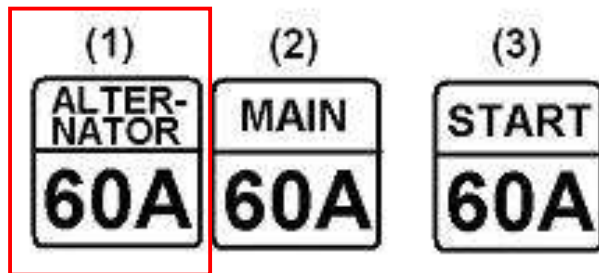
REF.	LEV.	PARTS NO.	DESCRIPTION	QTY						I	R
				(A)	(B)	(C)	(D)	(E)	(F)		
1	1	129263-77330	ADJUSTER, BELT	1	1						
2	1	129423-77200	GENERATOR	1	1						
3	2	X9490561001	NUT	1	1						
4	2	119620-77380	ROTOR ASSY	1	1						
5	3	123501-79240	BALL BEARING	1	1						
6	3	119620-79250	COVER, BEARING	1	1						
7	2	119620-79360	THRUST WASHER	1	1						
8	2	119620-77421	FLAME ASSY, DRIVE	1	1						
9	3	119620-79200	BALL BEARING	1	1						
10	3	119620-79210	PLATE	1	1						
11	3	119620-79220	SCREW	4	4						
12	3	119620-79230	BOLT, STUD	2	2						
13	2	119620-77440	FLAME ASSY, REAR	1	1						
14	2	129423-77450	COVER	1	1						
15	2	119620-77461	PULLEY	1	1						
16	2	119620-77471	NUT	1	1						
17	2	129423-77710	REGULATOR ASSY	1	1						
18	2	119620-79260	HOLDER	1	1						
19	2	129052-79270	HOLDER, BRUSH	1	1						
20	3	119620-77480	BRUSH ASSY	2	2						
21	3	119620-79280	SPRING	2	2						
22	2	119620-79290	SCREW	6	6						
23	2	119620-79300	SCREW	1	1						
24	2	119620-79310	BOLT	3	3						
25	2	119620-79320	SCREW W/WASHER	2	2						
26	2	119620-79330	BOLT	2	2						
27	2	119620-79340	INSULATION BUSH	1	1						
28	2	119620-79350	NUT	2	2						
29	2	119620-77490	COLLAR	1	1						
30	1	26306-100002	NUT	1	1						
31	1	129795-01900	STUD	1	1						
32	1	119810-77340	BOLT	1	1						

Remarks
 (REMARKS)"EFFECTIVE MACHINE NO." OF
 ENGINE IS INDICATED ON THE
 ENGINE LABEL WHICH IS SHOWN
 IN FIG.4.

1. Replace the slow blow fuse

Remove negative cable from battery.

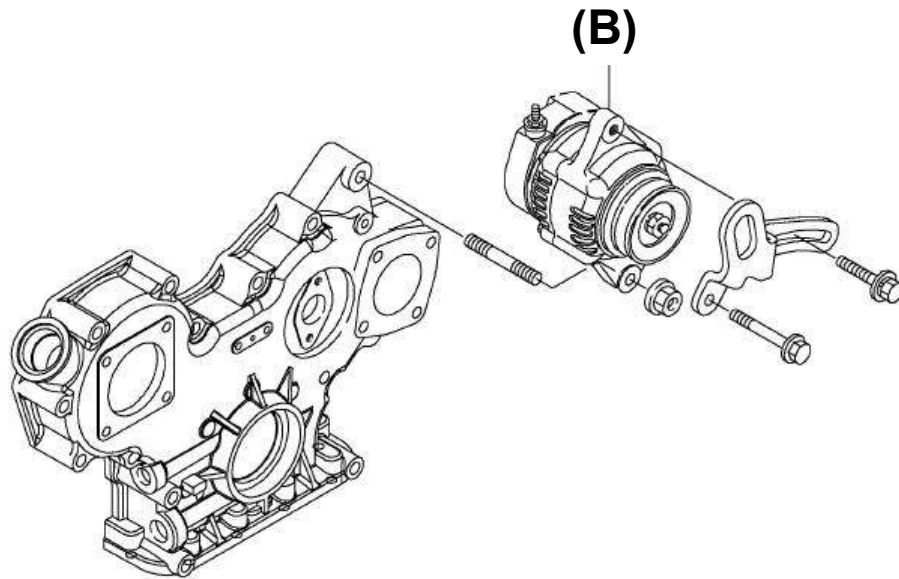
Replace the ALTERNATOR SLOW BLOW FUSE (1) to 80A fuse which is supplied with alternator.



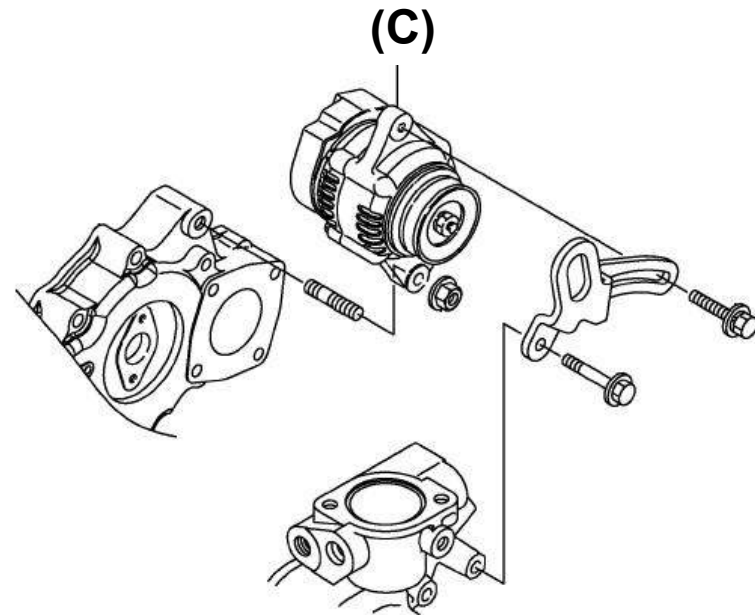
(A) – SLOW BLOW FUSE

2. Replace the alternator.

Replace to the large capacity alternator (C), 119626-77210.
Attach negative cable to battery.

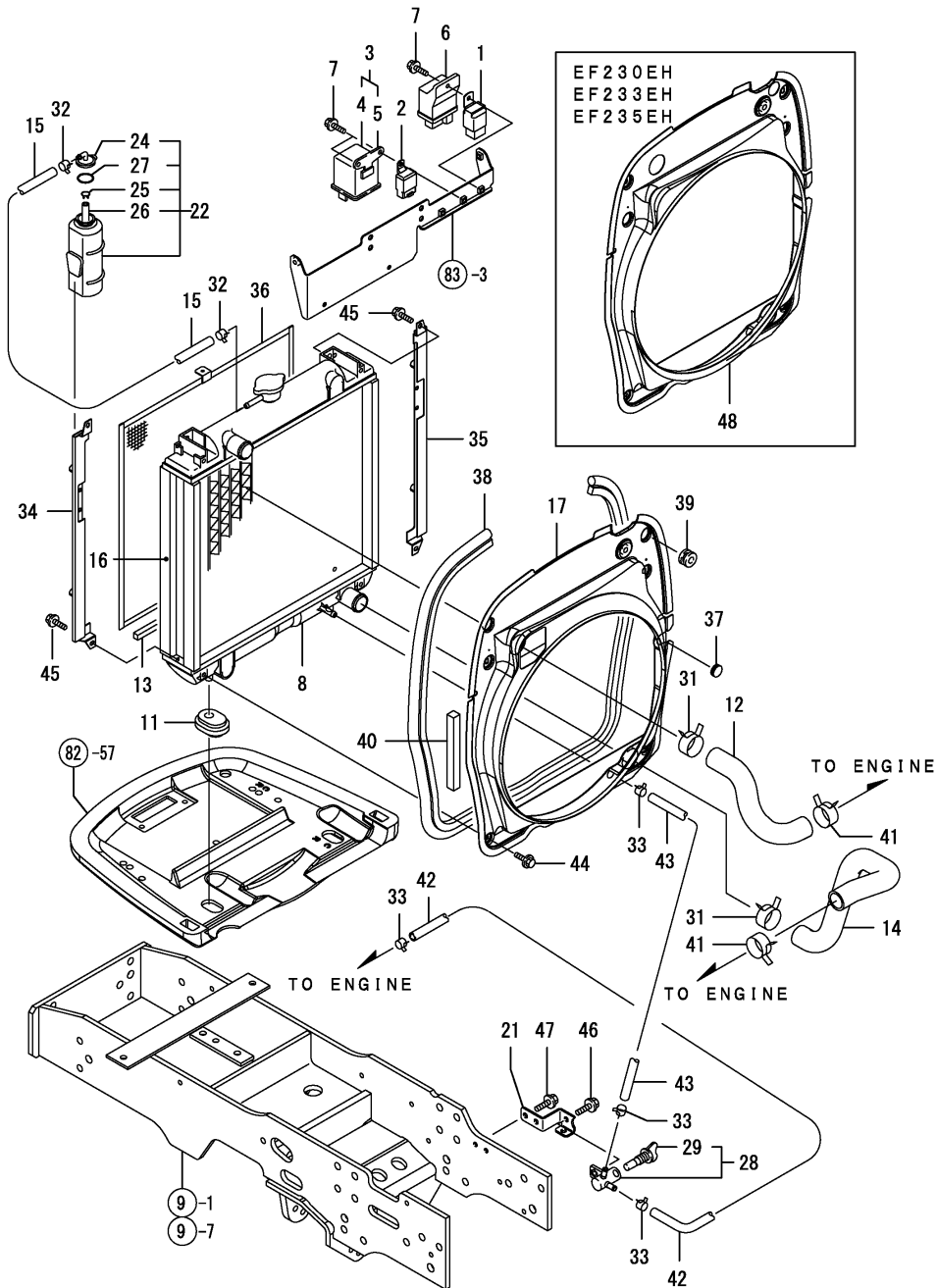


NORMAL
(B) 129423-77200 / GENERATOR, 12V-40A



LARGE CAPACITY
(C) 119626-77210 / ALTERNATOR 12V-55A

Fig.1. ENGINE ACCESSORIES



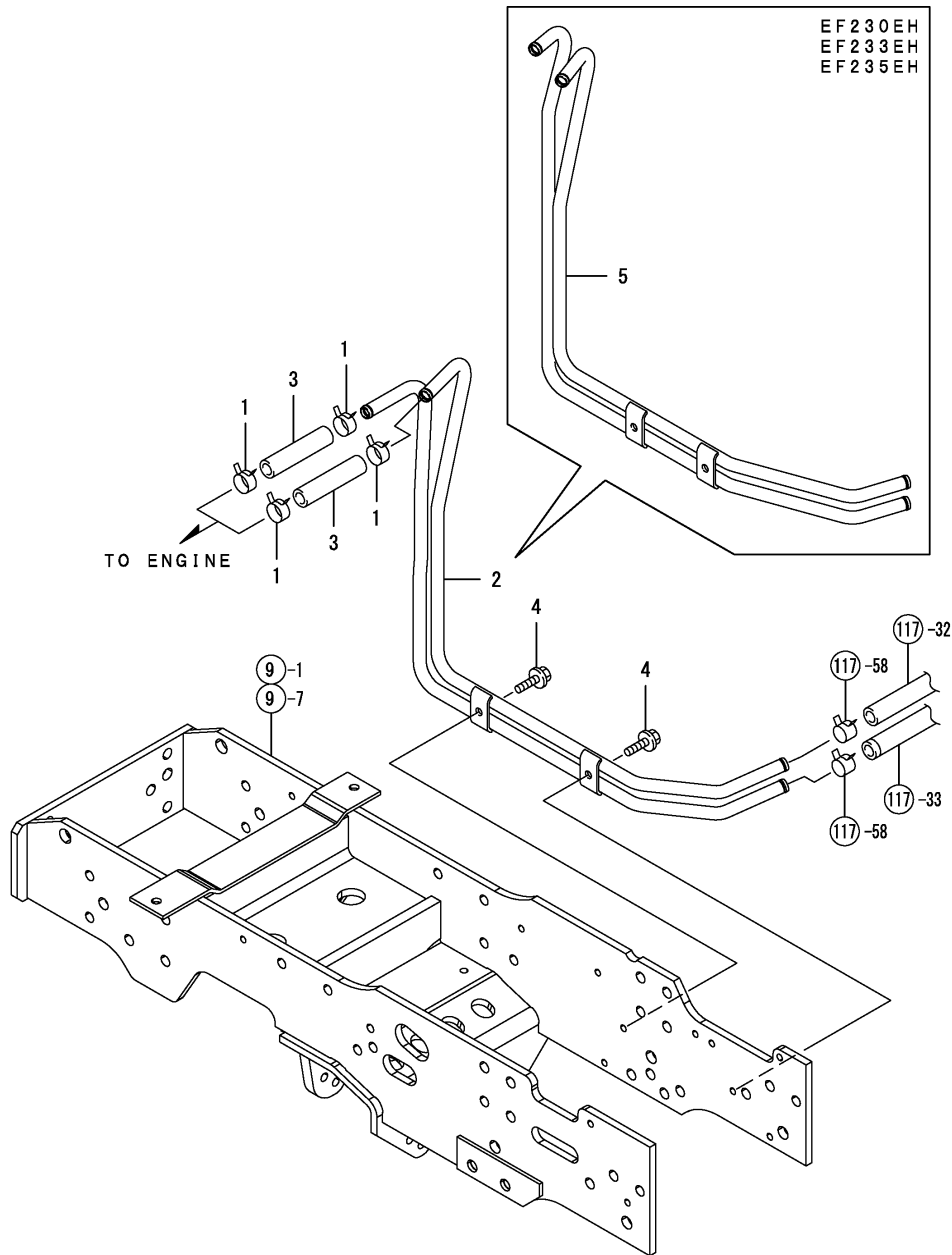
(A)=EF227EH (D)=EF235EH
 (B)=EF230EH (E)=
 (C)=EF233EH (F)=

REF.	LEV.	PARTS NO.	DESCRIPTION	QTY						I	R
				(A)	(B)	(C)	(D)	(E)	(F)		
1	1	198220-52180	RELAY, STARTER	1	1	1	1				
2	1	198461-52950	RELAY CA,TYPE C	1	1	1	1				
3	1	119650-77910	RELAY, GROW	1	1	1	1				
4	2	129052-77920	RELAY, GLOW	1	1	1	1				
5	2	119650-77930	BRACKET, RELAY	1	1	1	1				
6	1	119852-77910	CONTROLLER, QHS	1	1	1	1				
7	1	26106-060162	BOLT M 6X 16 PLATED	3	3	3	3				
8	1	198208-00501	M ASSY,RADIATOR	1	1	1	1				
11	1	198200-00610	RUBBER, ABSORBER	2	2	2	2				
12	1	198204-01410	HOSE, COOLING WATER	1	1	1	1				
13	1	198200-01440	SEAL,RADIATOR	2	2	2	2				
14	1	198208-01451	HOSE, COOLING WATER	1	1	1	1				
15	1	198280-01470	PIPE,WATER DRAIN	1	1	1	1				
16	1	198208-01480	URETHANE FOAM,RADIAT	2	2	2	2				
17	1	198204-01500	SHROUD M ASSY, FAN	1							
21	1	198200-11351	STAY ASSY, FILTER	1	1	1	1				
22	1	129263-44510	TANK ASSY, SUB	1	1	1	1				
24	2	121450-44531	CAP	1	1	1	1				
25	2	124450-44560	CLAMP	1	1	1	1				
26	2	23065-070180	PIPE 7X 180	1	1	1	1				
27	2	121470-44581	GASKET	1	1	1	1				
28	1	129150-49101	COCK ASSY, 3-WAY	1	1	1	1				
29	2	129150-49081	COCK, DRAIN	1	1	1	1				
31	1	175022-49730	CRIP 31, HOSE	2	2	2	2				
32	1	124766-59050	CLAMP 12	2	2	2	2				
33	1	124766-59050	CLAMP 12	4	4	4	4				
34	1	198280-60710	GUIDE ASSY, SCREEN L	1	1	1	1				
35	1	198280-60750	GUIDE ASSY, SCREEN R	1	1	1	1				
36	1	198206-60950	SCREEN, RADIATOR	1	1	1	1				
37	1	198448-61620	CAP,	1	1	1	1				
38	1	198200-61950	WEATHER-STRIP, A	1	1	1	1				
39	1	194180-61980	GROMMET 24	1	1	1	1				
40	1	198200-61980	SEAL, RADIATOR LH	1	1	1	1				
41	1	23000-035000	CLAMP 35	2	2	2	2				
42	1	23980-730250	HOSE 7.3X800 BRAIDED	1	1	1	1				
43	1	23980-730510	HOSE, 7.3 X 510	1	1	1	1				
44	1	26106-060122	BOLT M 6X 12 PLATED	4	4	4	4				
45	1	26106-060122	BOLT M 6X 12 PLATED	4	4	4	4				
46	1	26106-080162	BOLT M 8X 16 PLATED	1	1	1	1				
47	1	26106-080162	BOLT M 8X 16 PLATED	2	2	2	2				
48	1	198208-01500	SHROUD M ASSY, FAN	1	1	1	1				

Fig.2. HEATER ACCESSORIES

NPC-4322 2. HEATER ACCESSORIES

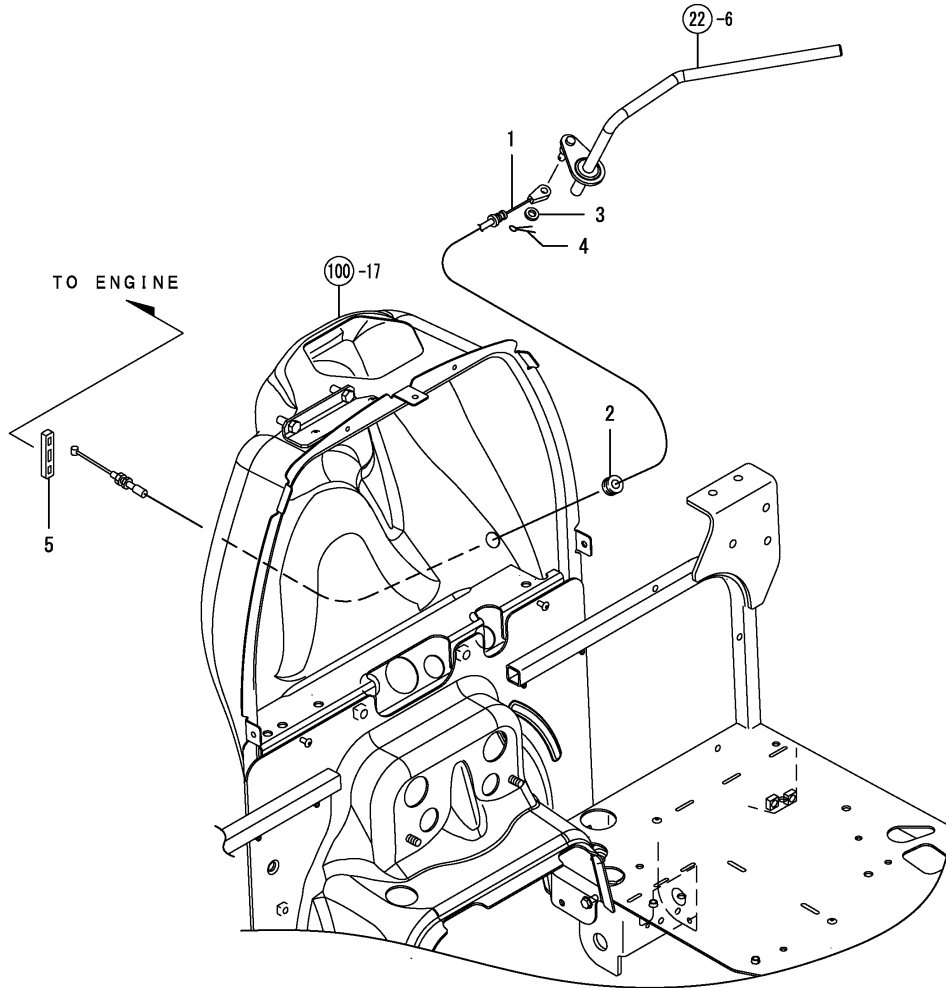
(A)=EF227EH (D)=EF235EH
 (B)=EF230EH (E)=
 (C)=EF233EH (F)=



REF.	LEV.	PARTS NO.	DESCRIPTION	QTY					
				(A)	(B)	(C)	(D)	(E)	(F)
1	1	1A7030-88710	CLIP, HOSE HEATER	4	4	4	4		
2	1	198280-89500	PIPE ASSY,HEATER	1					
3	1	198208-89530	HOSE, HEATER	2	2	2	2		
4	1	26106-080302	BOLT M 8X 30 PLATED	2	2	2	2		
5	1	198287-89500	PIPE ASSY,HEATER		1	1	1		

Fig.3. ACCEL LEVER

(A)=EF227EH (D)=EF235EH
 (B)=EF230EH (E)=
 (C)=EF233EH (F)=

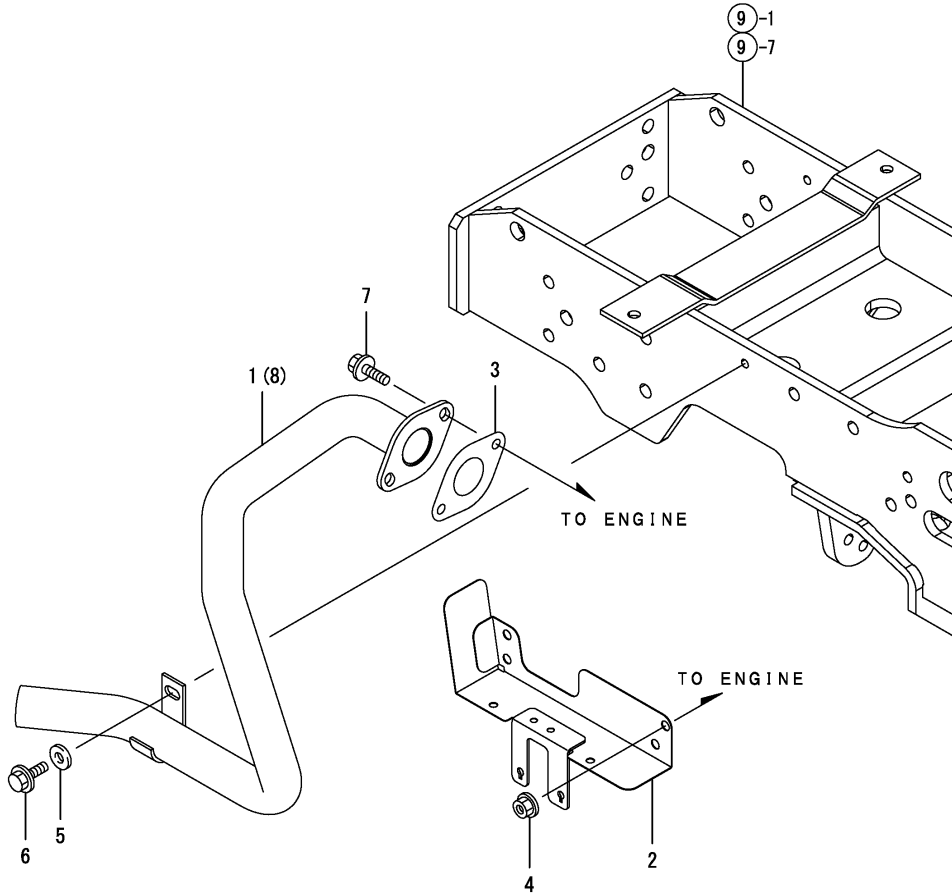


REF.	LEV.	PARTS NO.	DESCRIPTION	QTY						I	R
				(A)	(B)	(C)	(D)	(E)	(F)		
1	1	198200-01150	CABLE, CONTROL	1	1	1	1				
2	1	198071-58810	GROMMET 8	1	1	1	1				
3	1	22137-060000	WASHER 6, POLISHED	1	1	1	1				
4	1	22417-160180	COTTER PIN 1.6X18	1	1	1	1				
5	1	198071-01160	RUBBER, WIRE RETAIN'G	1	1	1	1				

Fig.4. EXHAUST

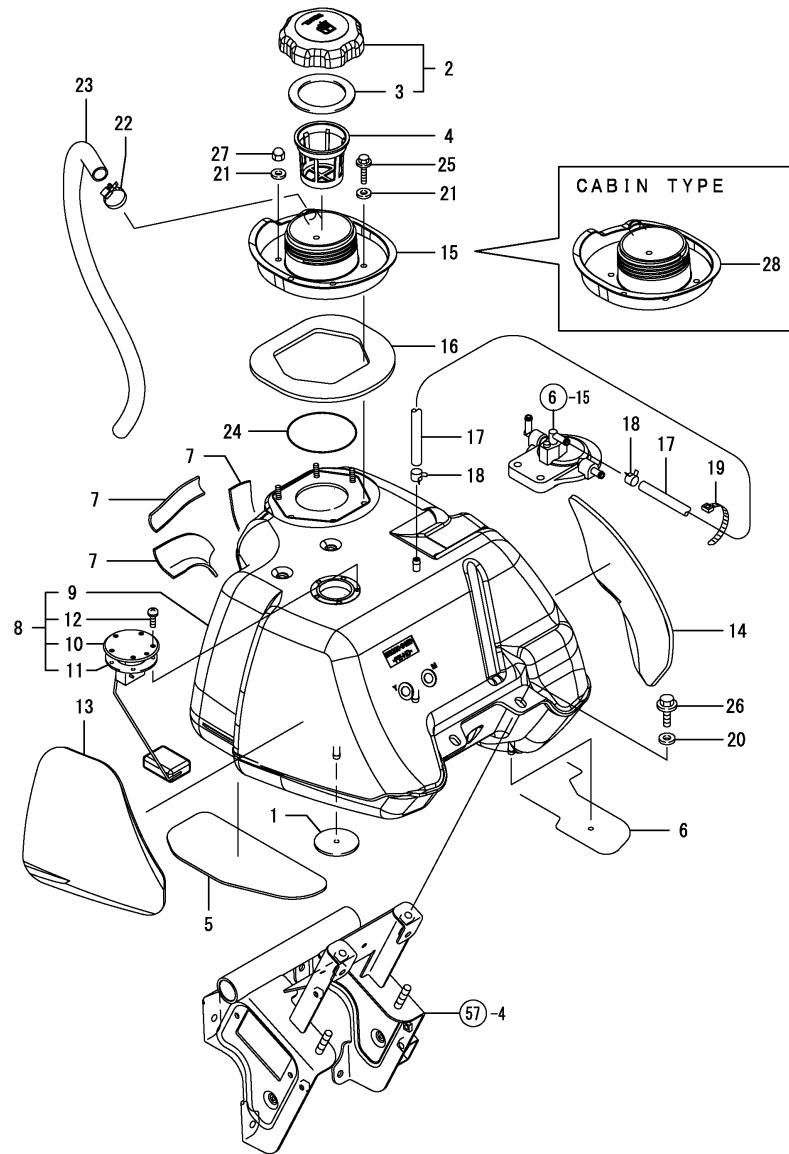
NPC-4322 4. EXHAUST

(A)=EF227EH (D)=EF235EH
 (B)=EF230EH (E)=
 (C)=EF233EH (F)=



REF.	LEV.	PARTS NO.	DESCRIPTION	QTY						I	R
				(A)	(B)	(C)	(D)	(E)	(F)		
1	1	198200-03110	PIPE, EXHAUST	1							
2	1	198280-05510	PLATE, SHUTTER	1	1	1	1				
3	1	129052-13550	GASKET,NOZZLE	1	1	1	1				
4	1	194990-22140	NUT W/WASHER 8	2	2	2	2				
5	1	22157-080000	WASHER 8	1	1	1	1				
6	1	26106-080162	BOLT M 8X 16 PLATED	1	1	1	1				
7	1	26106-080252	BOLT M 8X 25 PLATED	2	2	2	2				
8	1	198208-03111	PIPE, EXHAUST		1	1	1				

Fig.5. FUEL TANK



Remarks
 (1) FOR TYPE ROPS
 (2) FOR TYPE CABIN

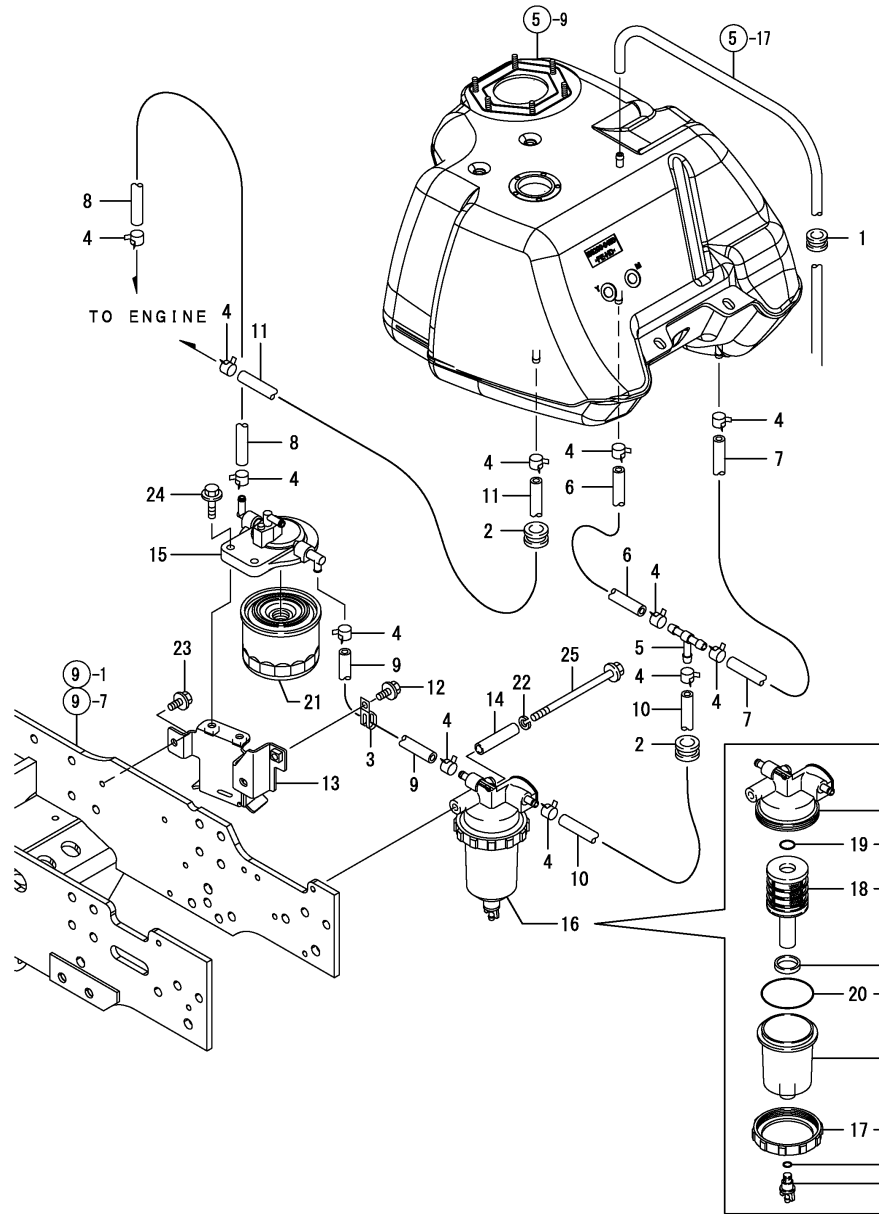
NPC-4322 5. FUEL TANK

(A)=EF227EH (D)=EF235EH
 (B)=EF230EH (E)=
 (C)=EF233EH (F)=

REF.	LEV.	PARTS NO.	DESCRIPTION	QTY						I	R
				(A)	(B)	(C)	(D)	(E)	(F)		
1	1	198200-04020	INSULATOR,TANK LOWER	1	1	1	1				
2	1	198200-04030	CAP ASSY,FILLER	1	1	1	1				
3	2	198200-04040	GASKET,FILLER CAP	1	1	1	1				
4	1	198200-04061	STRAINER,	1	1	1	1				
5	1	198200-04070	INSULATOLOR,TANK LWR	1	1	1	1				
6	1	198200-04080	INSULATOLOR,TANK LWR	1	1	1	1				
7	1	198200-04090	CUSHION(TANK,F	3	3	3	3				
8	1	198200-04101	TANK ASSY, FUEL	1	1	1	1				
9	2	198200-04111	TANK, FUEL	1	1	1	1				
10	2	198200-56600	SENDER UNIT,	1	1	1	1				
11	2	198200-56630	GASKET, FUEL GAUGE	1	1	1	1				
12	2	26022-050102	SCREW M 5X 10	5	5	5	5				
13	1	198200-04120	CUSHION, TANK L	1	1	1	1				
14	1	198200-04130	CUSHION, TANK R	1	1	1	1				
15	1	198200-04210	PAN, DRIP	1	1	1	1				1
16	1	198200-04260	GASKET, DRIP PAN	1	1	1	1				
17	1	198200-04270	HOSE, AIR VENT	1	1	1	1				
18	1	124766-59050	CLAMP 12	2	2	2	2				
19	1	1E6102-84970	BAND 140,WIRE LOCK	1	1	1	1				
20	1	22157-080000	WASHER 8	2	2	2	2				
21	1	22190-060000	SEAL WASHER 6(BOLT)	6	6	6	6				
22	1	23000-019000	CLAMP 19	1	1	1	1				
23	1	23065-160650	PIPE 16X 600	1	1	1	1				
24	1	24311-000850	O-RING 1A P-85.0	1	1	1	1				
25	1	26106-060252	BOLT M 6X 25 PLATED	3	3	3	3				
26	1	26106-080162	BOLT M 8X 16 PLATED	2	2	2	2				
27	1	26657-060002	CAP NUT M 6	3	3	3	3				
28	1	198208-04210	PAN, DRIP	1	1	1	1				2

(A)=EF227EH (D)=EF235EH
 (B)=EF230EH (E)=
 (C)=EF233EH (F)=

Fig.6. FUEL PIPE

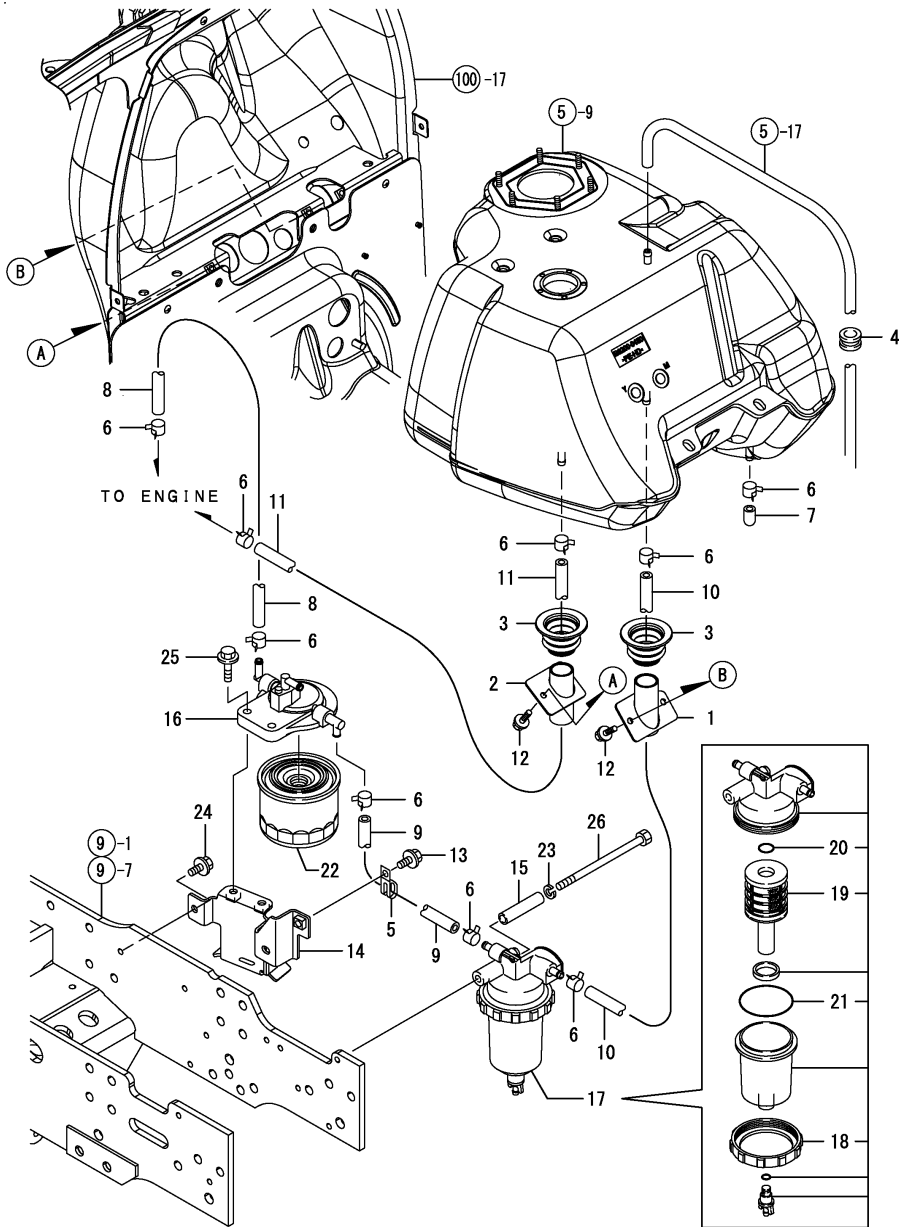


REF.	LEV.	PARTS NO.	DESCRIPTION	QTY						I	R
				(A)	(B)	(C)	(D)	(E)	(F)		
1	1	1E8050-05510	GROMMET 12X3,SLITTED	1	1	1	1				
2	1	194170-51210	GROMMET, 25	2	2	2	2				
3	1	194440-51620	CLAMP, WIRE HARNESS	1	1	1	1				
4	1	124766-59050	CLAMP 12	12	12	12	12				
5	1	119629-59910	JOINT, 3-WAY	1	1	1	1				
6	1	23980-730060	HOSE, 7.3 X 60	1	1	1	1				
7	1	23980-730180	HOSE, 7.3 X 180	1	1	1	1				
8	1	23980-730340	HOSE	1	1	1	1				
9	1	23980-730500	FUEL PIPE 7.3X500	1	1	1	1				
10	1	23980-730500	FUEL PIPE 7.3X500	1	1	1	1				
11	1	23980-730730	HOSE, 7.3X730	1	1	1	1				
12	1	26106-080122	BOLT M 8X 12 PLATED	1	1	1	1				
13	1	198200-11250	STAY ASSY, FILTER	1	1	1	1				
14	1	198280-11370	COLLAR	1	1	1	1				
15	1	119852-55611	BRACKET, FILTER	1	1	1	1				
16	1	119802-55700	SEPARATOR ASSY	1	1	1	1				
17	2	129100-55690	RING, RETAINING	1	1	1	1				
18	2	119802-55710	ELEMENT	1	1	1	1				
19	2	24311-000160	O-RING 1A P-16.0	1	1	1	1				
20	2	24321-000650	O-RING 1A G-65.0	1	1	1	1				
21	1	119802-55800	FILTER, FUEL	1	1	1	1				
22	1	22217-080000	SPRING WASHER 8	1	1	1	1				
23	1	26106-080162	BOLT M 8X 16 PLATED	2	2	2	2				
24	1	26106-080252	BOLT M 8X 25 PLATED	2	2	2	2				
25	1	26116-081302	BOLT M 8X130 PLATED	1	1	1	1				

Remarks
 * FIGURE FOR TYPE ROPS

Fig.7. FUEL PIPE

(A)=EF227EH (D)=EF235EH
 (B)=EF230EH (E)=
 (C)=EF233EH (F)=

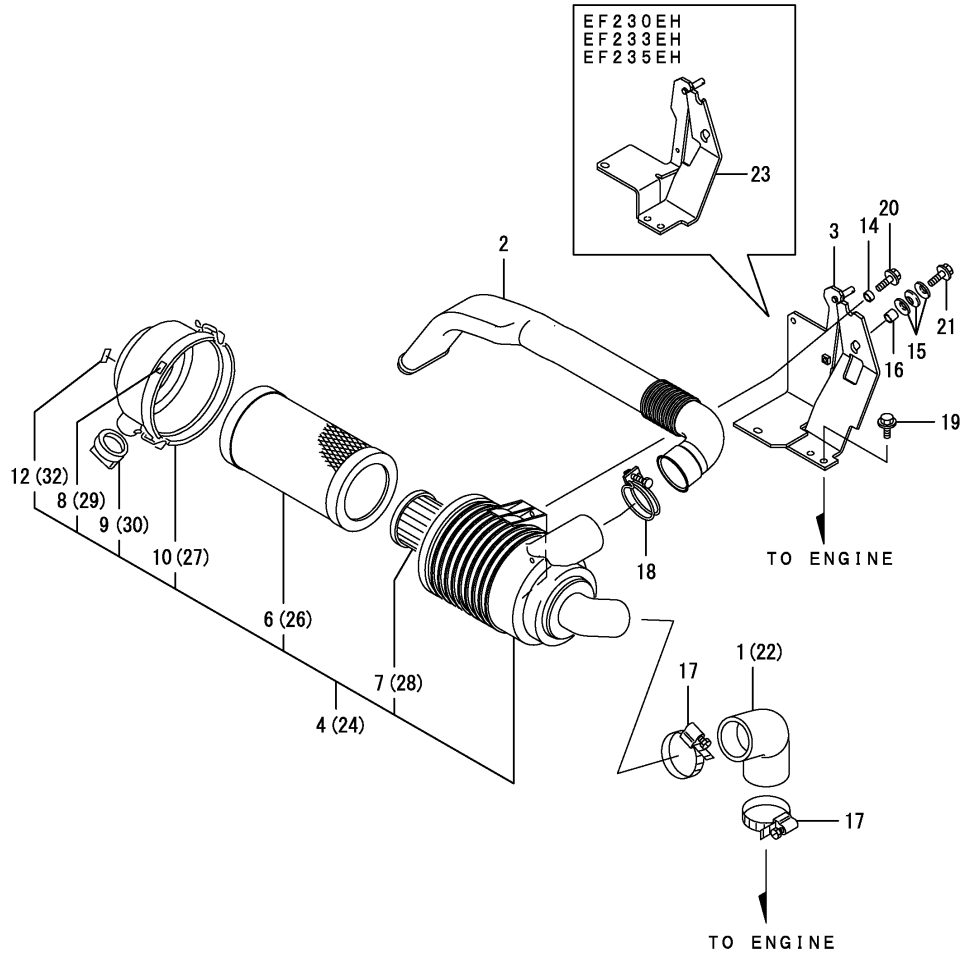


REF.	LEV.	PARTS NO.	DESCRIPTION	QTY						I	R
				(A)	(B)	(C)	(D)	(E)	(F)		
1	1	198280-04330	COVER ASSY, FUEL A	1	1	1	1				
2	1	198280-04370	COVER ASSY, FUEL B	1	1	1	1				
3	1	198280-04410	GROMMET, FUEL HOSE	2	2	2	2				
4	1	1E8050-05510	GROMMET 12X3,SLITTED	1	1	1	1				
5	1	194440-51620	CLAMP, WIRE HARNESS	1	1	1	1				
6	1	124766-59050	CLAMP 12	9	9	9	9				
7	1	129461-59580	CAP (FO	1	1	1	1				
8	1	23980-730340	HOSE	1	1	1	1				
9	1	23980-730500	FUEL PIPE 7.3X500	1	1	1	1				
10	1	23980-730500	FUEL PIPE 7.3X500	1	1	1	1				
11	1	23980-730730	HOSE, 7.3X730	1	1	1	1				
12	1	26106-060122	BOLT M 6X 12 PLATED	3	3	3	3				
13	1	26106-080122	BOLT M 8X 12 PLATED	1	1	1	1				
14	1	198200-11250	STAY ASSY, FILTER	1	1	1	1				
15	1	198280-11370	COLLAR	1	1	1	1				
16	1	119852-55611	BRACKET, FILTER	1	1	1	1				
17	1	119802-55700	SEPARATOR ASSY	1	1	1	1				
18	2	129100-55690	RING, RETAINING	1	1	1	1				
19	2	119802-55710	ELEMENT	1	1	1	1				
20	2	24311-000160	O-RING 1A P-16.0	1	1	1	1				
21	2	24321-000650	O-RING 1A G-65.0	1	1	1	1				
22	1	119802-55800	FILTER, FUEL	1	1	1	1				
23	1	22217-080000	SPRING WASHER 8	1	1	1	1				
24	1	26106-080162	BOLT M 8X 16 PLATED	2	2	2	2				
25	1	26106-080252	BOLT M 8X 25 PLATED	2	2	2	2				
26	1	26116-081302	BOLT M 8X130 PLATED	1	1	1	1				

Remarks
 * FIGURE FOR TYPE CABIN

Fig.8. AIR CLEANER

(A)=EF227EH (D)=EF235EH
 (B)=EF230EH (E)=
 (C)=EF233EH (F)=

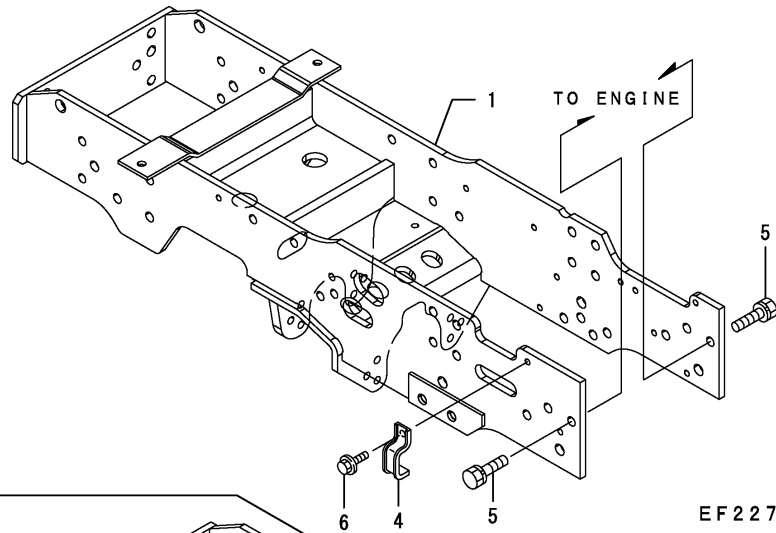


REF.	LEV.	PARTS NO.	DESCRIPTION	QTY						I	R
				(A)	(B)	(C)	(D)	(E)	(F)		
1	1	198200-06010	HOSE, AIR INTAKE	1							
2	1	198200-06150	PIPE, INTAKE	1	1	1	1				
3	1	198280-06200	BRACKET, AIR CLEANER	1							
4	1	198280-06300	CLEANER M ASSY,AIR	1							
6	2	119808-12520	ELEMENT, OUTER	1							
7	2	129051-12530	ELEMENT, INNER	1							
8	2	129418-12530	MARK	1							
9	2	119808-12540	VALVE, UNLOADER	1							
10	2	119866-12540	BODY, AIR CLEANER	1							
12	2	129612-12650	MARKING,(W)	1							
14	1	198280-06410	COLLAR	1	1	1	1				
15	1	198072-18320	SPRING 12	3	3	3	3				
16	1	198092-71720	COLLAR, 8.1X10.5X9.3	1	1	1	1				
17	1	23000-070000	CLAMP 70	2	2	2	2				
18	1	23010-055000	CLAMP 55	1	1	1	1				
19	1	26106-080122	BOLT M 8X 12 PLATED	2	2	2	2				
20	1	26106-080162	BOLT M 8X 16 PLATED	1	1	1	1				
21	1	26106-080202	BOLT M 8X 20 PLATED	1	1	1	1				
22	1	198208-06010	HOSE, AIR INTAKE	1	1	1	1				
23	1	198287-06200	BRACKET, AIR CLEANER	1	1	1	1				
24	1	198287-06300	CLEANER M ASSY,AIR	1	1	1	1				
26	2	119808-12520	ELEMENT, OUTER	1	1	1	1				
27	2	119866-12530	COVER ASSY	1	1	1	1				
28	2	129051-12530	ELEMENT, INNER	1	1	1	1				
29	2	129418-12530	MARK	1	1	1	1				
30	2	119808-12540	VALVE, UNLOADER	1	1	1	1				
32	2	129612-12650	MARKING,(W)	1	1	1	1				

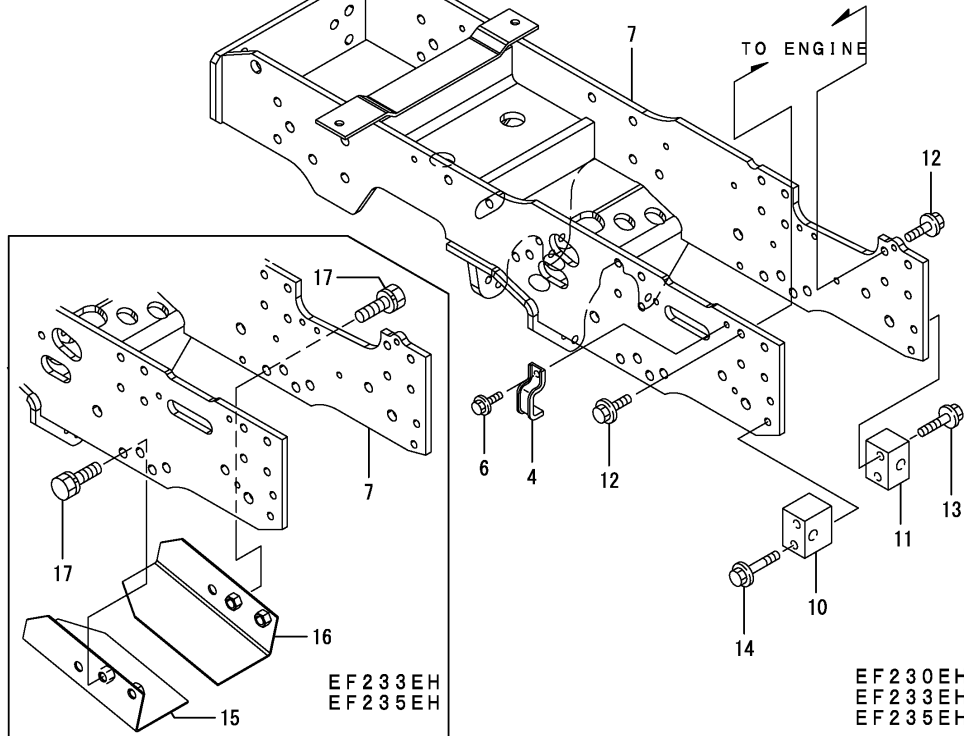
Fig.9. FRONT BRACKET

NPC-4322 9. FRONT BRACKET

(A)=EF227EH (D)=EF235EH
 (B)=EF230EH (E)=
 (C)=EF233EH (F)=



EF227EH



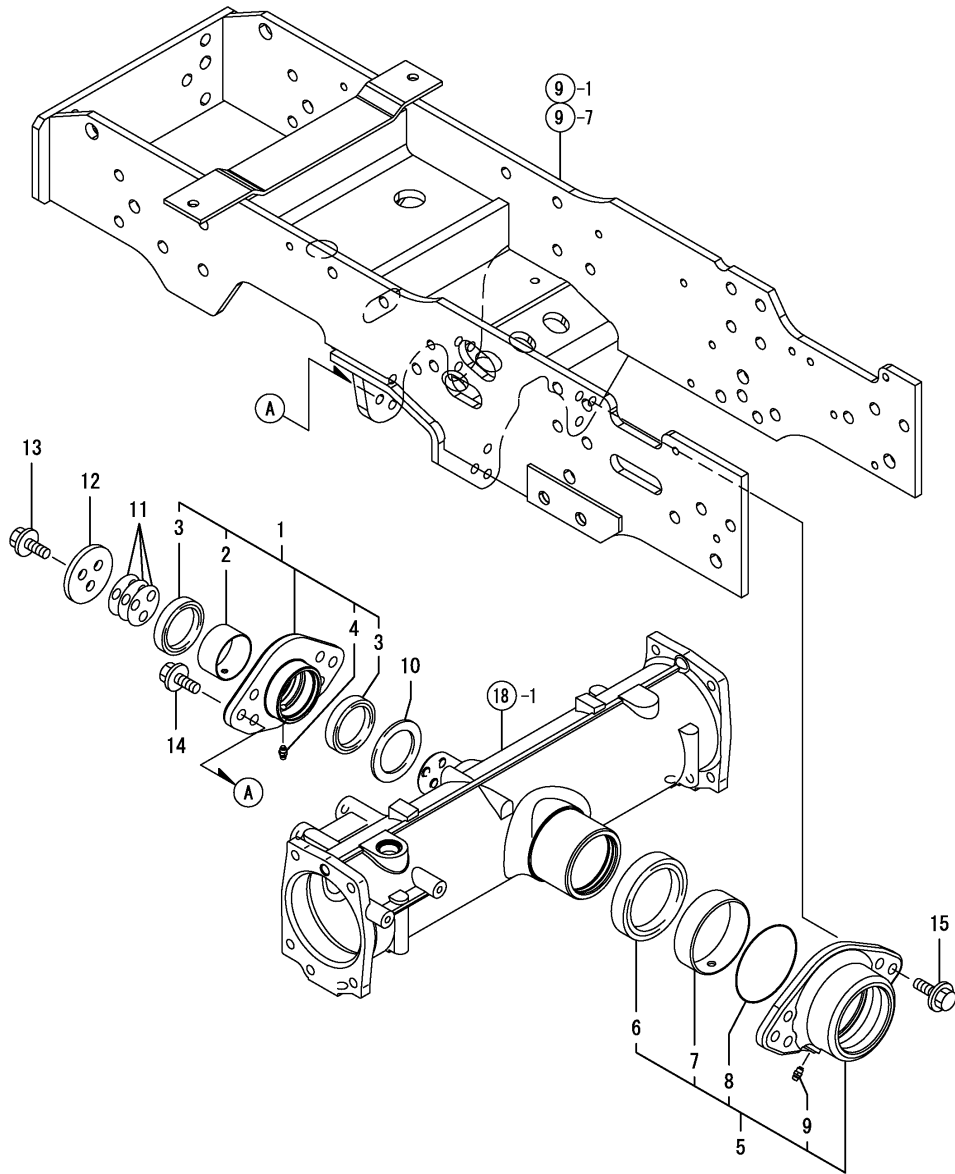
EF233EH
 EF235EH

EF230EH
 EF233EH
 EF235EH

REF.	LEV.	PARTS NO.	DESCRIPTION	QTY						I	R
				(A)	(B)	(C)	(D)	(E)	(F)		
1	1	198280-11100	BRACKET M ASSY, AXLE	1							
4	1	198200-17950	CLAMP	1	1	1	1				
5	1	26013-120302	BOLT W/WASHER M12X30	12							
6	1	26106-080162	BOLT M 8X 16 PLATED	1	1	1	1				
7	1	198287-11100	BRACKET M ASSY, AXLE		1	1	1				
10	1	198208-11210	STAY, L.H.		1	1	1				
11	1	198208-11220	STAY, R.H.		1	1	1				
12	1	198208-11310	BOLT, 10 X 25		16	16	16				
13	1	26106-100452	BOLT M10X 45 PLATED		2	2	2				
14	1	26106-100552	BOLT M10X 55 PLATED		2	2	2				
15	1	198287-11210	PLATE L CMP.			1	1				
16	1	198287-11230	PLATE R CMP.			1	1				
17	1	26013-120252	BOLT M12X 25			4	4				

Fig.10. CENTER PIN SUPPORT

(A)=EF227EH (D)=EF235EH
 (B)=EF230EH (E)=
 (C)=EF233EH (F)=



REF.	LEV.	PARTS NO.	DESCRIPTION	QTY						I	R
				(A)	(B)	(C)	(D)	(E)	(F)		
1	1	198200-13050	SUPPORT ASSY, F	1	1	1	1				
2	2	194451-11960	BUSH 45X49X25	1	1	1	1				
3	2	198291-13240	SEAL G455204,OIL	2	2	2	2				
4	2	24761-010000	NIPPLE M6F, GREASE	1	1	1	1				
5	1	198200-13060	SUPPORT ASSY, R	1	1	1	1				
6	2	194181-11560	SEAL VB75 85 6.5,OIL	1	1	1	1				
7	2	194641-11630	BUSH 75X80X25	1	1	1	1				
8	2	24321-000750	O-RING 1A G-75.0	1	1	1	1				
9	2	24761-010000	NIPPLE M6F, GREASE	1	1	1	1				
10	1	198190-13240	WASHER	1	1	1	1				
11	1	198200-13320	SHIM,	3	3	3	3				
12	1	198200-13330	PLATE, THRUST	1	1	1	1				
13	1	26106-100252	BOLT M10X 25 PLATED	3	3	3	3				
14	1	26106-100252	BOLT M10X 25 PLATED	6	6	6	6				
15	1	26106-100252	BOLT M10X 25 PLATED	6	6	6	6				

Fig.11. WEIGHT LOCK PIN

(A)=EF227EH (D)=EF235EH
 (B)=EF230EH (E)=
 (C)=EF233EH (F)=

REF.	LEV.	PARTS NO.	DESCRIPTION	QTY						I R	
				(A)	(B)	(C)	(D)	(E)	(F)		
1	1	198280-11710	LOCK PIN KIT	1	1	1	1				
2	2	198280-11240	PIN, LOCK	1	1	1	1				
3	3	194250-11140	SPRING	1	1	1	1				
4	3	198280-11250	PIN	1	1	1	1				
5	2	22137-160000	WASHER 16,POLISHED	3	3	3	3				
6	2	22360-160000	SNAP PIN 16	2	2	2	2				

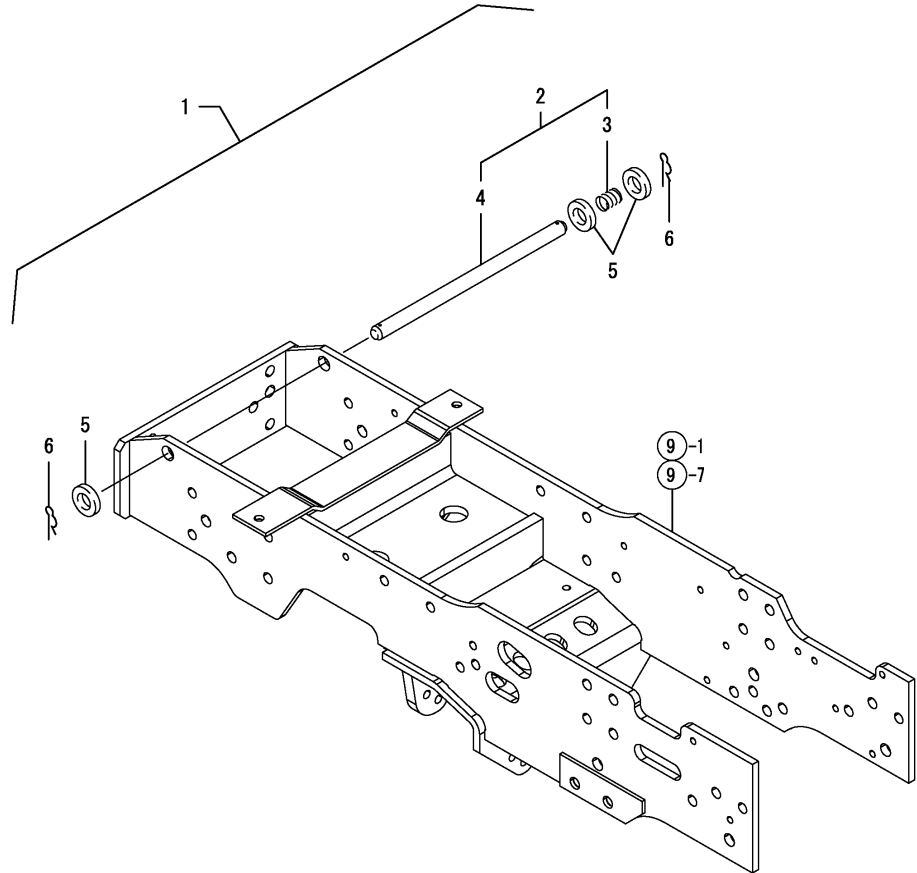


Fig.12. FRONT HITCH

(A)=EF227EH (D)=EF235EH
 (B)=EF230EH (E)=
 (C)=EF233EH (F)=

REF.	LEV.	PARTS NO.	DESCRIPTION	QTY						I	R
				(A)	(B)	(C)	(D)	(E)	(F)		
1	1	198280-11810	HITCH, FRONT	1	1	1	1				
2	1	198280-11830	PIN, HITCH	1	1	1	1				
3	1	198280-11840	PIN ASSY, LOCK	1	1	1	1				
4	1	198535-62780	SPACER,	1	1	1	1				
5	1	26013-120352	BOLT M12X 35	4	4	4	4				
6	1	26106-060102	BOLT M 6X 10 PLATED	1	1	1	1				
7	1	26716-120002	NUT 12	4	4	4	4				

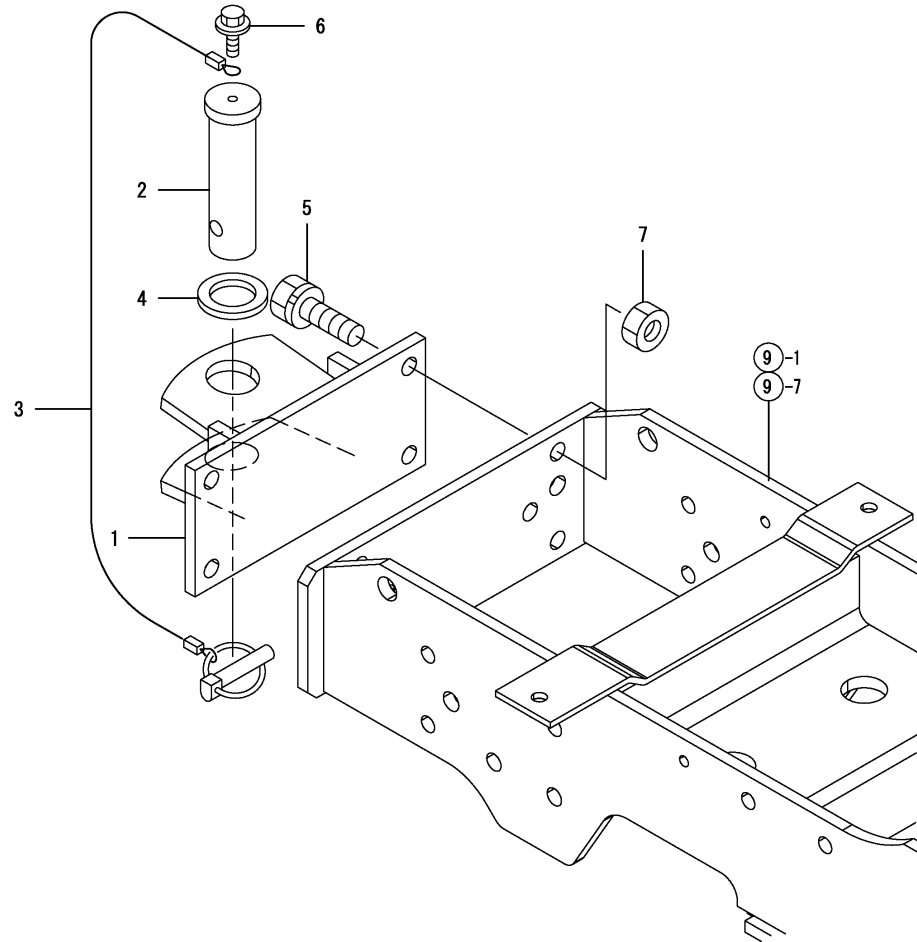
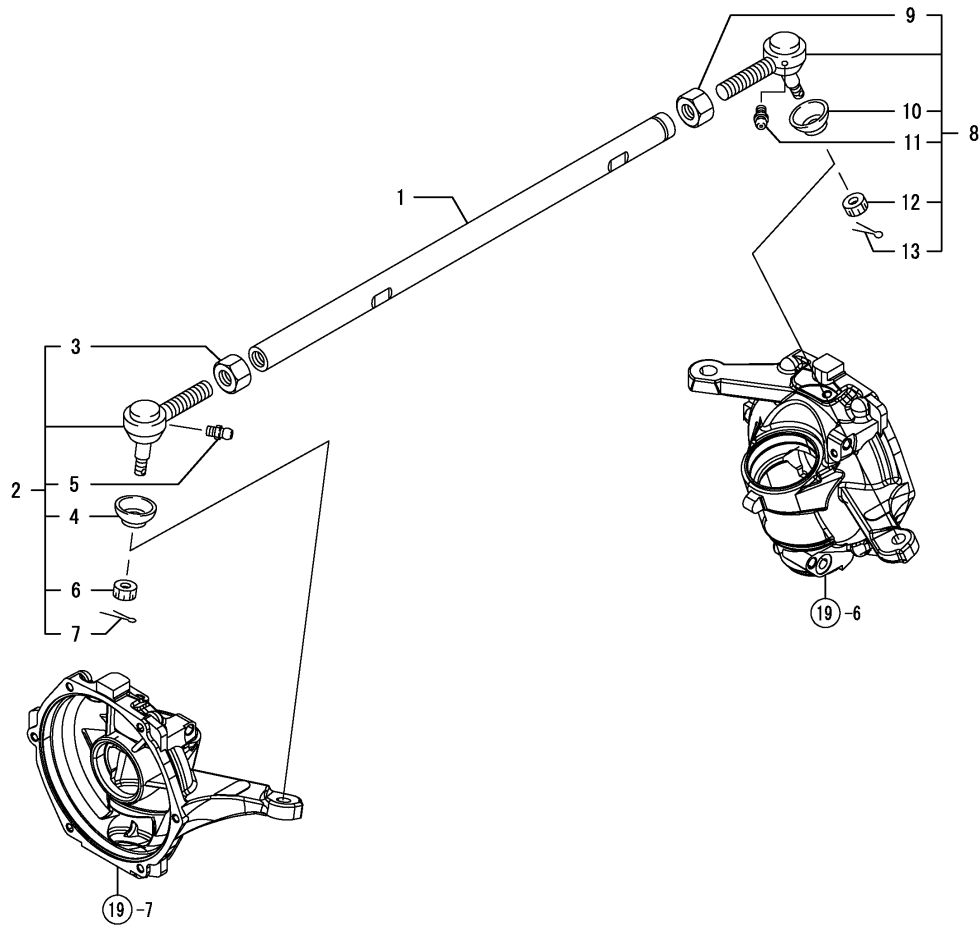


Fig.13. TIE ROD



NPC-4322 13. TIE ROD

(A)=EF227EH (D)=EF235EH
 (B)=EF230EH (E)=
 (C)=EF233EH (F)=

REF.	LEV.	PARTS NO.	DESCRIPTION	QTY						I	R
				(A)	(B)	(C)	(D)	(E)	(F)		
1	1	198220-12310	TIE-ROD	1	1	1	1				
2	1	198240-18120	TIRE-ROD END KIT(LR)	1	1	1	1				
3	2	194990-22830	NUT M17	1	1	1	1				
4	2	194730-57220	COVER, DUST	1	1	1	1				
5	2	24761-060000	NIPPLE MT6X1, GREASE	1	1	1	1				
6	2	198240-12590	NUT 12	1	1	1	1				
7	2	22417-300250	COTTER PIN 3.0X 25	1	1	1	1				
8	1	198240-18130	TIRE-ROD END KIT RL	1	1	1	1				
9	2	194990-22840	NUT M17	1	1	1	1				
10	2	194730-57220	COVER, DUST	1	1	1	1				
11	2	24761-060000	NIPPLE MT6X1, GREASE	1	1	1	1				
12	2	198240-12590	NUT 12	1	1	1	1				
13	2	22417-300250	COTTER PIN 3.0X 25	1	1	1	1				

Fig.14. RING GEAR

NPC-4322 14. RING GEAR

(A)=EF227EH (D)=EF235EH
 (B)=EF230EH (E)=
 (C)=EF233EH (F)=

REF.	LEV.	PARTS NO.	DESCRIPTION	QTY						I	R
				(A)	(B)	(C)	(D)	(E)	(F)		
1	1	198200-13170	GEAR ASSY, RING	1	1	1	1				
2	1	1E6190-54080	SLEEVE SI25X30X13	1	1	1	1				
3	1	22242-000300	CIRCLIP 30	1	1	1	1				
4	1	24101-062064	BALL BEARING 6206	1	1	1	1				
5	1	24101-063054	BEARING #6305	1	1	1	1				

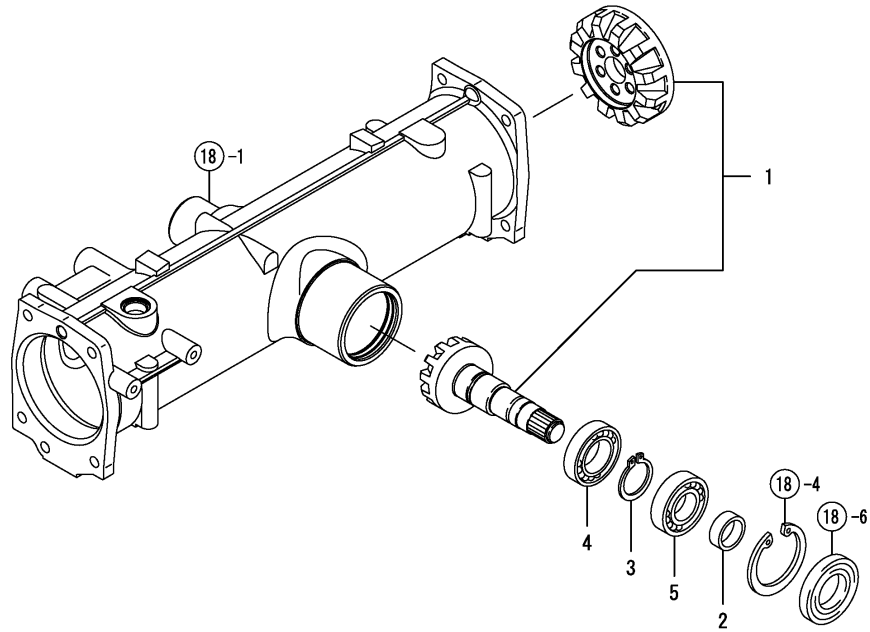
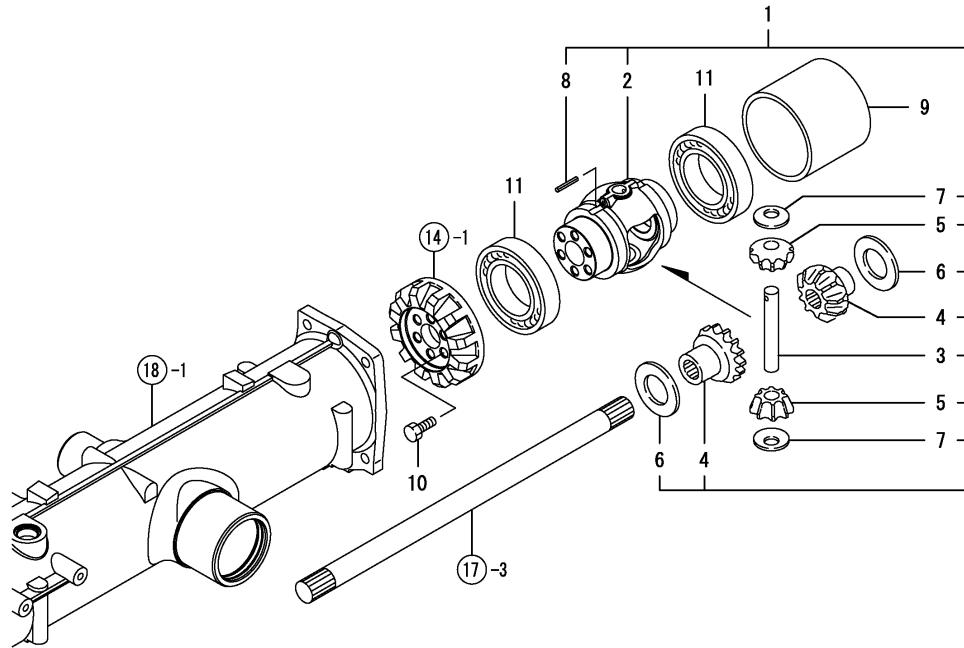


Fig.15. DIFFERENTIAL GEAR

NPC-4322 15. DIFFERENTIAL GEAR

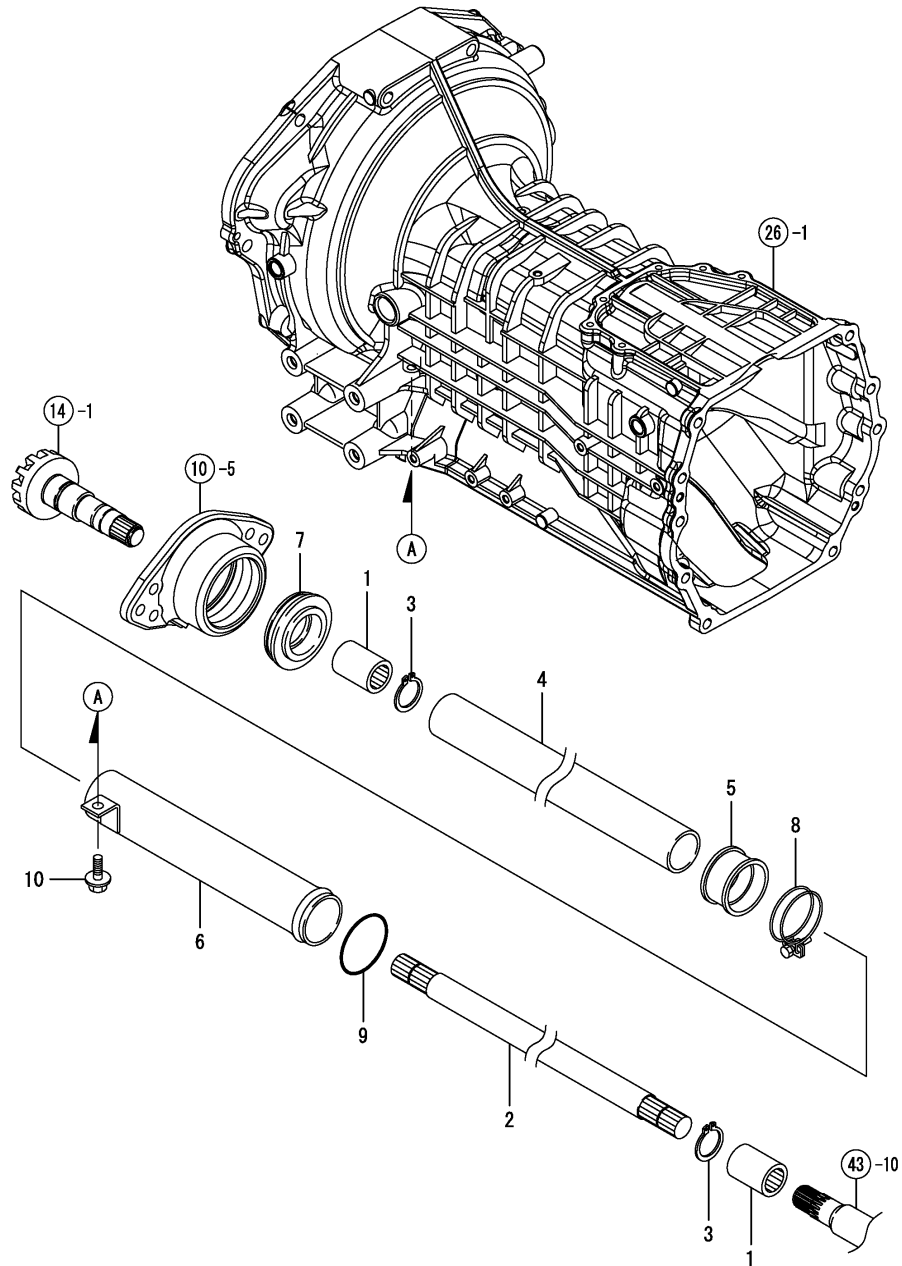
(A)=EF227EH (D)=EF235EH
 (B)=EF230EH (E)=
 (C)=EF233EH (F)=



REF.	LEV.	PARTS NO.	DESCRIPTION	QTY						I	R
				(A)	(B)	(C)	(D)	(E)	(F)		
1	1	198200-13200	HOUSING ASSY, DIFF.	1	1	1	1				
2	2	198200-13210	HOUSING, DIFF.	1	1	1	1				
3	2	198200-13220	SHAFT, DIFF. PINION	1	1	1	1				
4	2	194300-31550	GEAR, DIFFERENTIAL	2	2	2	2				
5	2	194300-31560	GEAR, DIFFERENTIAL	2	2	2	2				
6	2	194300-31610	WASHER, DIFFERENTIAL	2	2	2	2				
7	2	194300-31620	WASHER, DIFFERENTIAL	2	2	2	2				
8	2	22351-040040	SPRING PIN 4X40	1	1	1	1				
9	1	198200-13250	COLLER, DIFFERENTIAL	1	1	1	1				
10	1	194421-13640	BOLT M 8X22	6	6	6	6				
11	1	24101-060114	BALL BEARING	2	2	2	2				

Fig.16. PROPELLER SHAFT

(A)=EF227EH (D)=EF235EH
 (B)=EF230EH (E)=
 (C)=EF233EH (F)=

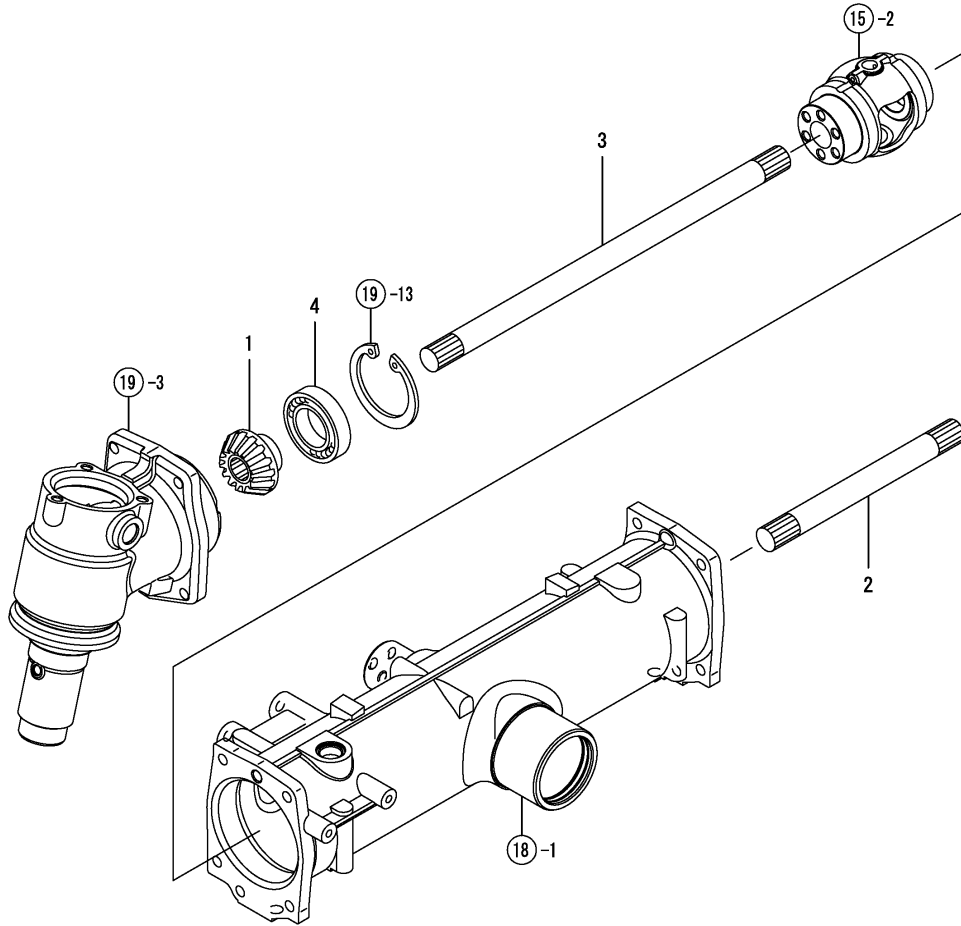


REF.	LEV.	PARTS NO.	DESCRIPTION	QTY						I	R
				(A)	(B)	(C)	(D)	(E)	(F)		
1	1	198200-13280	COUPLING, FRONT	2	2	2	2				
2	1	198280-13310	SHAFT, PROPELLER	1	1	1	1				
3	1	22242-000220	CIRCLIP 22	2	2	2	2				
4	1	198280-14630	COVER, SHAFT FRONT	1	1	1	1				
5	1	198071-14650	BOOT, SHAFT COVER	1	1	1	1				
6	1	198200-14670	COVER, SHAFT REAR	1	1	1	1				
7	1	198200-14910	SEAL, SHAFT COVER	1	1	1	1				
8	1	23010-055000	CLAMP 55	1	1	1	1				
9	1	24321-000450	O-RING 1A G-45.0	1	1	1	1				
10	1	26106-080162	BOLT M 8X 16 PLATED	1	1	1	1				

Fig.17. FRONT SHAFT (1)

NPC-4322 17. FRONT SHAFT (1)

(A)=EF227EH (D)=EF235EH
 (B)=EF230EH (E)=
 (C)=EF233EH (F)=



REF.	LEV.	PARTS NO.	DESCRIPTION	QTY						I	R
				(A)	(B)	(C)	(D)	(E)	(F)		
1	1	198200-13520	PINION, 1ST SHAFT	2	2	2	2				
2	1	198200-13570	SHAFT, FRONT 1ST	1	1	1	1				
3	1	198200-13580	SHAFT, FRONT 1ST	1	1	1	1				
4	1	24101-062074	BALL BEARING	2	2	2	2				

Fig.18. FRONT AXLE CASE

(A)=EF227EH (D)=EF235EH
 (B)=EF230EH (E)=
 (C)=EF233EH (F)=

REF.	LEV.	PARTS NO.	DESCRIPTION	QTY						I	R
				(A)	(B)	(C)	(D)	(E)	(F)		
1	1	198200-13610	HOUSING, FRONT AXLE	1	1	1	1				
2	1	198200-17230	BRACKET, CYLINDER	1	1	1	1				
3	1	1C6900-23020	BREATHER W/GG.,KNOCK	1	1	1	1				
4	1	22252-000620	CIRCLIP 62(H)	1	1	1	1				
5	1	24311-000180	O-RING 1A P-18.0	1	1	1	1				
6	1	24421-306210	SEAL TC30 62 10, OIL	1	1	1	1				
7	1	26013-120302	BOLT W/WASHER M12X30	4	4	4	4				

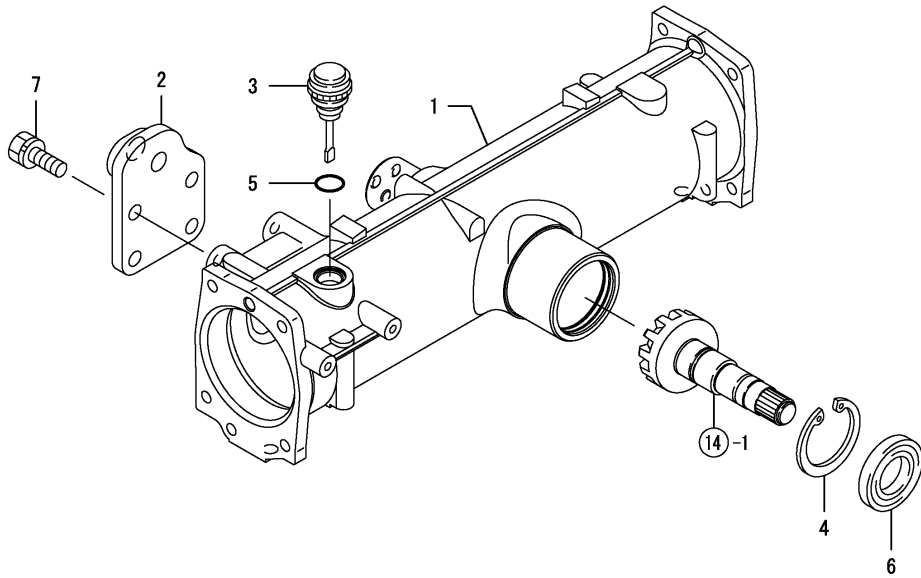
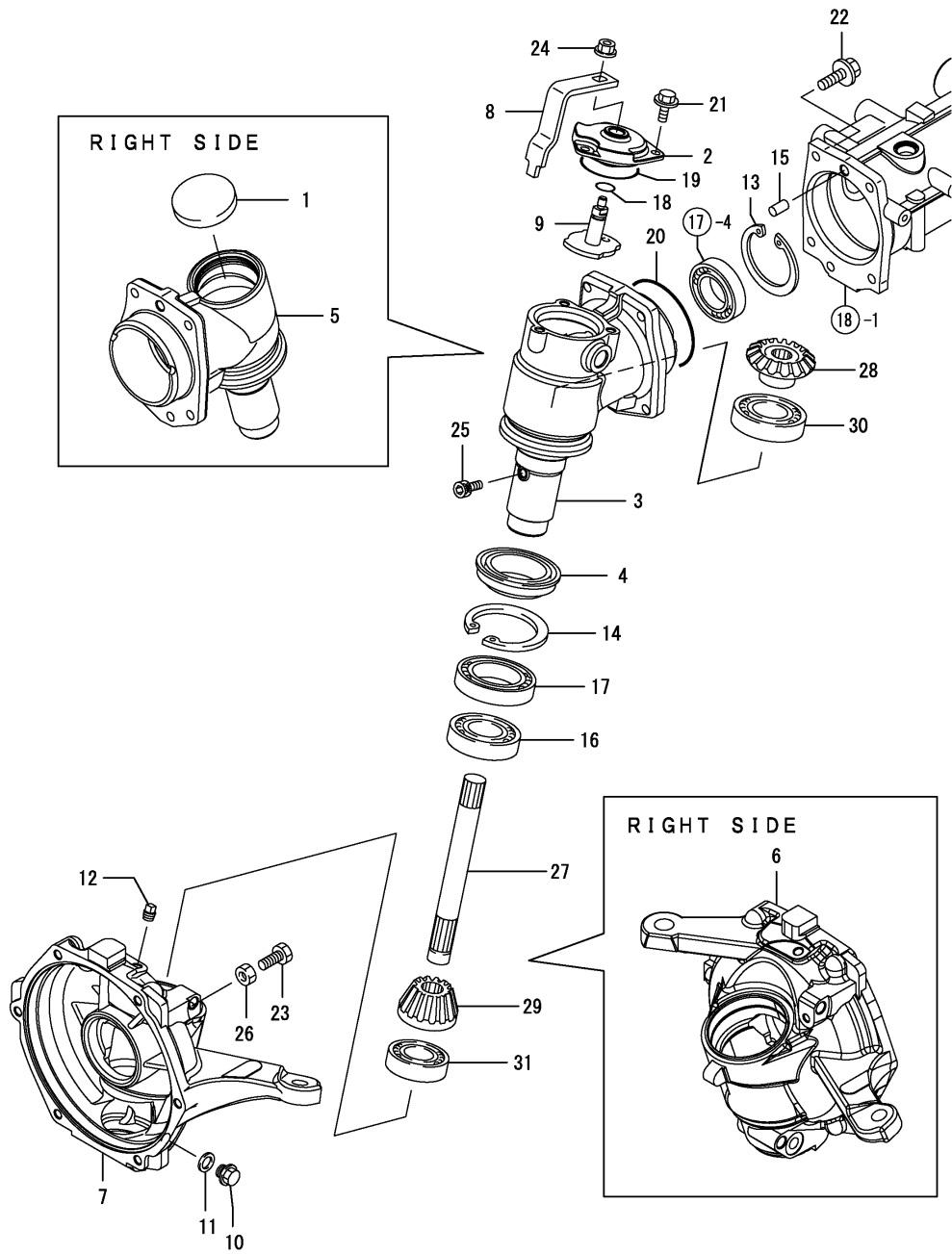


Fig.19. FRONT GEAR CASE

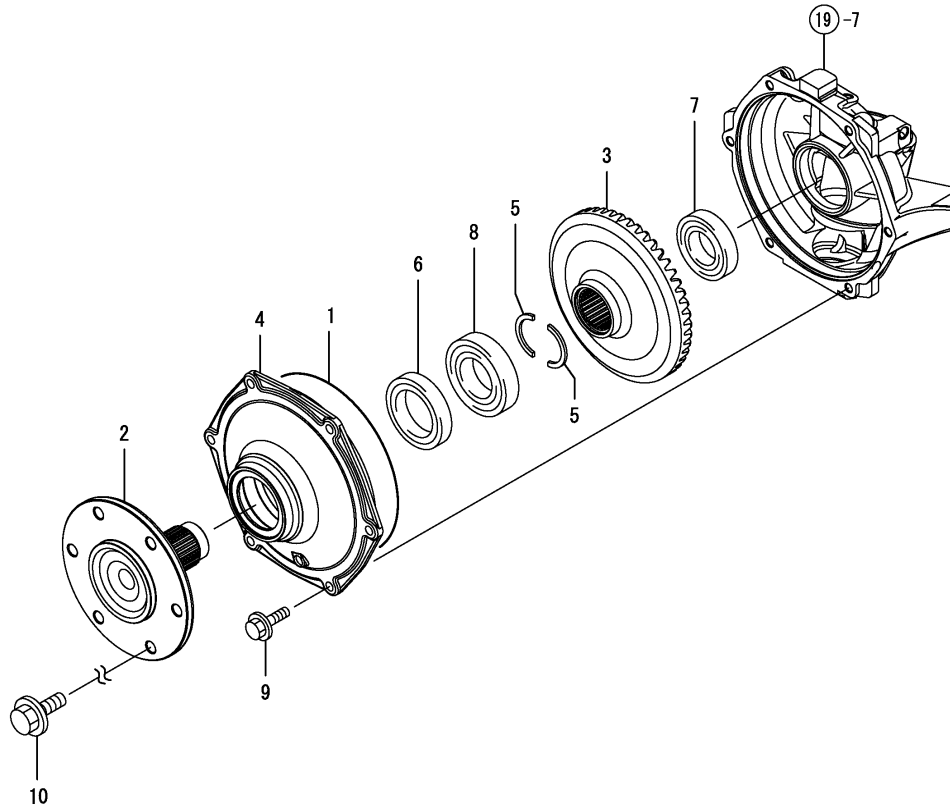
(A)=EF227EH (D)=EF235EH
 (B)=EF230EH (E)=
 (C)=EF233EH (F)=



REF.	LEV.	PARTS NO.	DESCRIPTION	QTY						I	R
				(A)	(B)	(C)	(D)	(E)	(F)		
1	1	177432-03450	PLUG	1	1	1	1				
2	1	198200-13730	COVER, GEAR HOUSING	1	1	1	1				
3	1	198200-13750	HOUSING, FRONT GEAR	1	1	1	1				
4	1	198071-13760	SEAL QLF578016.5.OIL	2	2	2	2				
5	1	198200-13760	HOUSING, FRONT GEAR	1	1	1	1				
6	1	198200-13780	GEARBOX, FRONT R.H.	1	1	1	1				
7	1	198200-13791	GEARBOX, FRONT L.H.	1	1	1	1				
8	1	198200-13911	LINK, HI-GRIP	1	1	1	1				
9	1	198280-13920	ARM, SWITCH	1	1	1	1				
10	1	1C6900-23120	BOLT M14X10,DRAIN	2	2	2	2				
11	1	1C6900-23150	WASHER	2	2	2	2				
12	1	194151-36670	PLUG PT02	2	2	2	2				
13	1	22252-000720	CIRCLIP 72	2	2	2	2				
14	1	22252-000800	CIRCLIP 80	2	2	2	2				
15	1	22312-100180	PARALLEL PIN 10X 18	2	2	2	2				
16	1	24101-060084	BALL BEARING	2	2	2	2				
17	1	24101-060104	BALL BEARING	2	2	2	2				
18	1	24311-000110	O-RING 1A P-11.0	1	1	1	1				
19	1	24321-000600	O-RING 1A G-60.0	1	1	1	1				
20	1	24321-000950	O-RING 1A G-95.0	2	2	2	2				
21	1	26106-080162	BOLT M 8X 16 PLATED	3	3	3	3				
22	1	26106-100302	BOLT M10X 30 PLATED	10	10	10	10				
23	1	26116-100352	BOLT 10X35	2	2	2	2				
24	1	26366-080002	NUT M 8	1	1	1	1				
25	1	26450-080122	BOLT 8X 12	2	2	2	2				
26	1	26716-100002	NUT 10	2	2	2	2				
27	1	198200-13810	SHAFT, FRONT 2ND	2	2	2	2				
28	1	198200-13820	GEAR, 2ND SHAFT	2	2	2	2				
29	1	198200-13830	PINION, FRONT FINAL	2	2	2	2				
30	1	24101-062064	BALL BEARING 6206	2	2	2	2				
31	1	24101-063044	BALL BEARING	2	2	2	2				

Fig.20. FRONT SPINDLE

(A)=EF227EH (D)=EF235EH
 (B)=EF230EH (E)=
 (C)=EF233EH (F)=



REF.	LEV.	PARTS NO.	DESCRIPTION	QTY						I	R
				(A)	(B)	(C)	(D)	(E)	(F)		
1	1	194556-13790	O-RING 190X2.7	2	2	2	2				
2	1	198200-14110	SPINDLE, FRONT	2	2	2	2				
3	1	198200-14120	GEAR, FRONT FINAL	2	2	2	2				
4	1	198200-14130	COVER, GEARBOX	2	2	2	2				
5	1	198200-14210	RING, HALF TIMBER	4	4	4	4				
6	1	198475-32660	SEAL QLNY527514.5	2	2	2	2				
7	1	24101-060084	BALL BEARING	2	2	2	2				
8	1	24101-062094	BALL BEARING	2	2	2	2				
9	1	26106-100252	BOLT M10X 25 PLATED	12	12	12	12				
10	1	194881-12650	BOLT M14X 24	12	12	12	12				

Fig.21. FRONT WHEEL TIRE

(A)=EF227EH (D)=EF235EH
 (B)=EF230EH (E)=
 (C)=EF233EH (F)=

REF.	LEV.	PARTS NO.	DESCRIPTION	QTY						I	R
				(A)	(B)	(C)	(D)	(E)	(F)		
1	1	198280-14740	TIRE 24X8.50-12 UNIT	2	2	2	2				
2	2	198200-14741	WHEEL, 12X7JA	2	2	2	2				
3	2	198280-14760	TIRE ASSY, 24X8.5-12	2	2	2	2				
4	2	194136-12880	VALVE TR413	2	2	2	2				

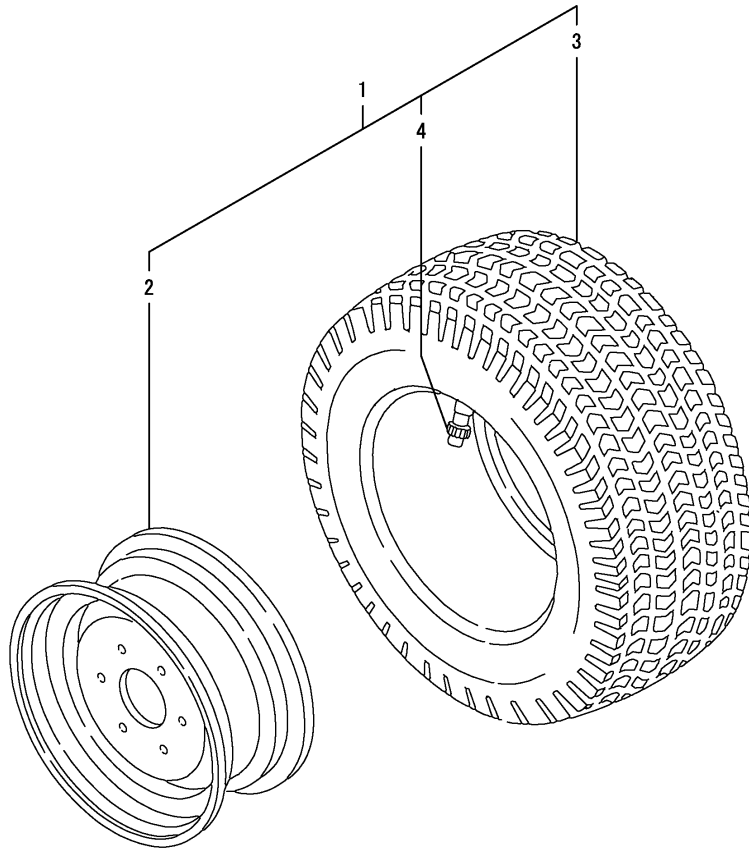
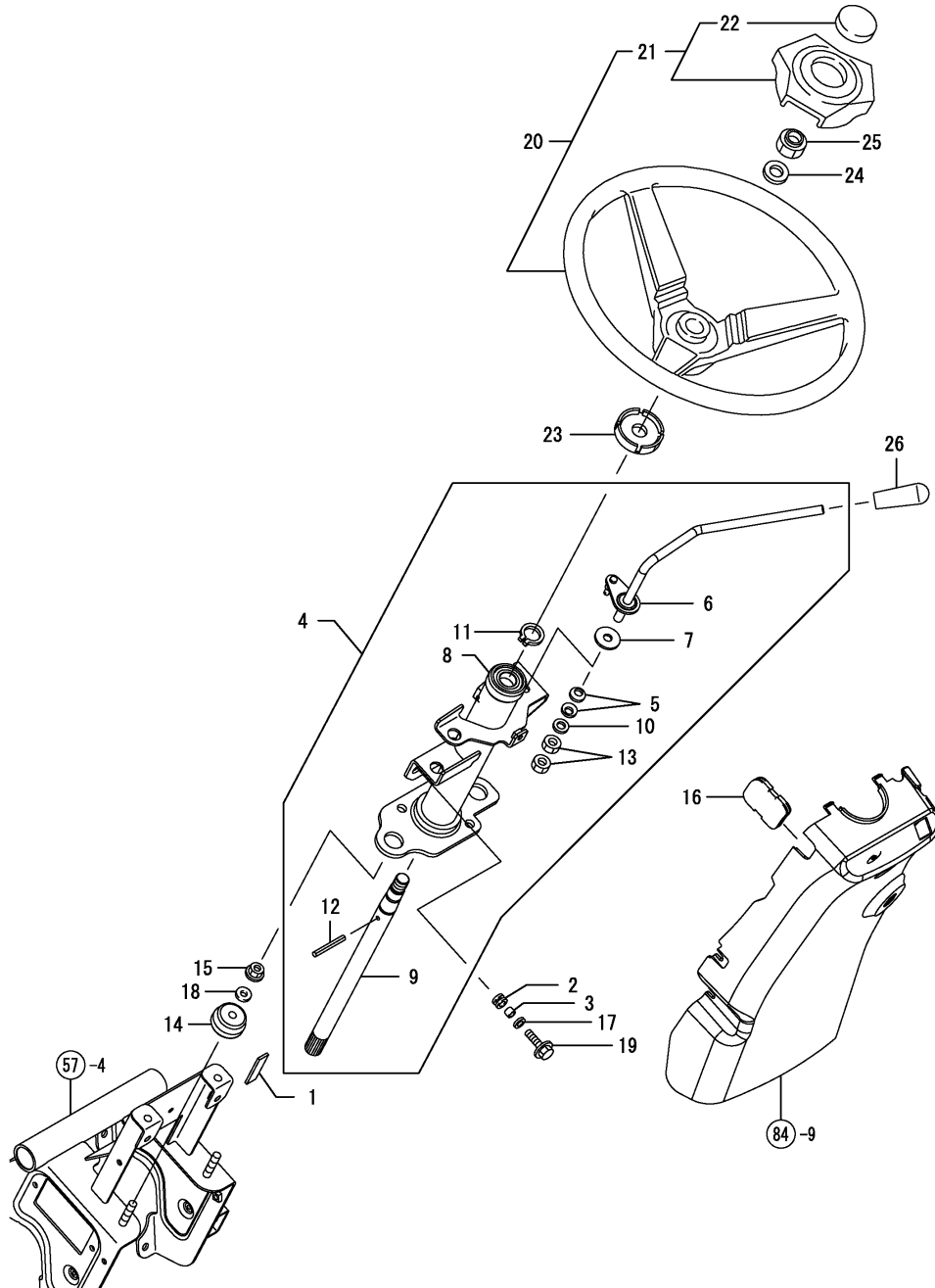


Fig.22. STEERING

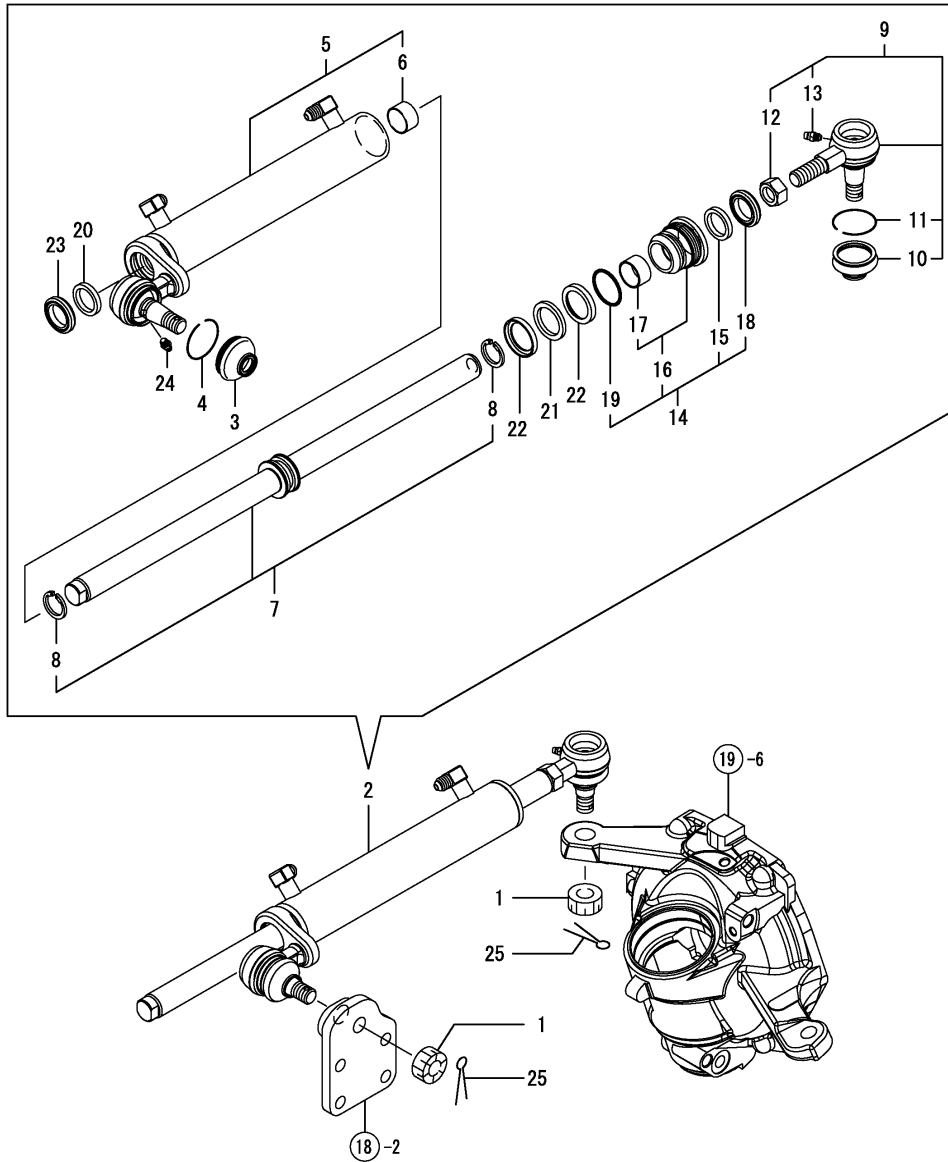
(A)=EF227EH (D)=EF235EH
 (B)=EF230EH (E)=
 (C)=EF233EH (F)=



REF.	LEV.	PARTS NO.	DESCRIPTION	QTY						I	R
				(A)	(B)	(C)	(D)	(E)	(F)		
1	1	198200-01170	SEAL, CABLE	1	1	1	1				
2	1	198360-03260	GROMMET 12	2	2	2	2				
3	1	198360-03270	SPACER	2	2	2	2				
4	1	198280-15090	COLUMN UNIT,STEERING	1	1	1	1				
5	2	194740-00160	WASHER 10, CONICAL	2	2	2	2				
6	2	198200-01110	LEVER ASSY, CONTROL	1	1	1	1				
7	2	198200-01260	PLATE, FRICTION	1	1	1	1				
8	2	198280-15100	COLUMN ASSY,STEERING	1	1	1	1				
9	2	198200-15180	SHAFT, STEERING	1	1	1	1				
10	2	22137-100000	WASHER 10,POLISHED	1	1	1	1				
11	2	22242-000200	CIRCLIP 20	1	1	1	1				
12	2	22351-040032	SPRING PIN 4X32	1	1	1	1				
13	2	26716-100002	NUT 10	2	2	2	2				
14	1	198200-15250	MOUNT, STEERING	2	2	2	2				
15	1	194990-22140	NUT W/WASHER 8	2	2	2	2				
16	1	174840-61680	GROMMET	1	1	1	1				
17	1	22157-080000	WASHER 8	2	2	2	2				
18	1	22157-080000	WASHER 8	2	2	2	2				
19	1	26106-080252	BOLT M 8X 25 PLATED	2	2	2	2				
20	1	198133-15700	WHEEL COMP.,STEERING	1	1	1	1				
21	2	198133-15740	CAP COMP.,STEERING	1	1	1	1				
22	3	198133-15780	NAMEPLATE,HANDLE	1	1	1	1				
23	1	1A7000-15720	STEERING COVER	1	1	1	1				
24	1	22137-160000	WASHER 16,POLISHED	1	1	1	1				
25	1	26356-160002	U-NUT M16	1	1	1	1				
26	1	194464-01190	KNOB, THROTTLE LEVER	1	1	1	1				

(A)=EF227EH (D)=EF235EH
 (B)=EF230EH (E)=
 (C)=EF233EH (F)=

Fig.23. P.S.T. CYLINDER



REF.	LEV.	PARTS NO.	DESCRIPTION	QTY						I	R
				(A)	(B)	(C)	(D)	(E)	(F)		
1	1	194180-12470	NUT, CASTLE	2	2	2	2				
2	1	198200-17300	CYLINDER KIT, PST.	1	1	1	1				
3	2	194450-12552	COVER, DUST	1	1	1	1				
4	2	194450-12561	RING, SET	1	1	1	1				
5	2	198200-17340	TUBE ASSY, CYLINDER	1	1	1	1				
6	3	24550-025150	BUSH 25X15	1	1	1	1				
7	2	198200-17410	ROD ASSY, STEERING	1	1	1	1				
8	3	22292-000250	CIRCLIP 25	2	2	2	2				
9	2	198200-17440	END ASSY, ROD R	1	1	1	1				
10	3	194450-12551	COVER, DUST	1	1	1	1				
11	3	194450-12561	RING, SET	1	1	1	1				
12	3	1A6030-47880	NUT, 16R	1	1	1	1				
13	3	24761-060000	NIPPLE MT6X1, GREASE	1	1	1	1				
14	2	198200-17450	CAP ASSY,	1	1	1	1				
15	3	194065-17470	PACKING 25	1	1	1	1				
16	3	198200-17470	CAP ASSY,	1	1	1	1				
17	4	24550-025150	BUSH 25X15	1	1	1	1				
18	3	198133-72670	SEAL 25, DUST	1	1	1	1				
19	3	24315-000340	O-RING 1B P 34.0	1	1	1	1				
20	2	194065-17470	PACKING 25	1	1	1	1				
21	2	172156-72330	PACKING	1	1	1	1				
22	2	172156-72340	BEARING	2	2	2	2				
23	2	198133-72670	SEAL 25, DUST	1	1	1	1				
24	2	24761-060000	NIPPLE MT6X1, GREASE	1	1	1	1				
25	1	22417-400250	COTTER PIN 4.0X25	2	2	2	2				

Fig.24. P.S.T. VALVE

(A)=EF227EH (D)=EF235EH
 (B)=EF230EH (E)=
 (C)=EF233EH (F)=

REF.	LEV.	PARTS NO.	DESCRIPTION	QTY						I	R
				(A)	(B)	(C)	(D)	(E)	(F)		
1	1	198200-17500	VALVE ASSY, STEERING	1	1	1	1				
2	1	26136-100162	BOLT, 10 X 16	3	3	3	3				

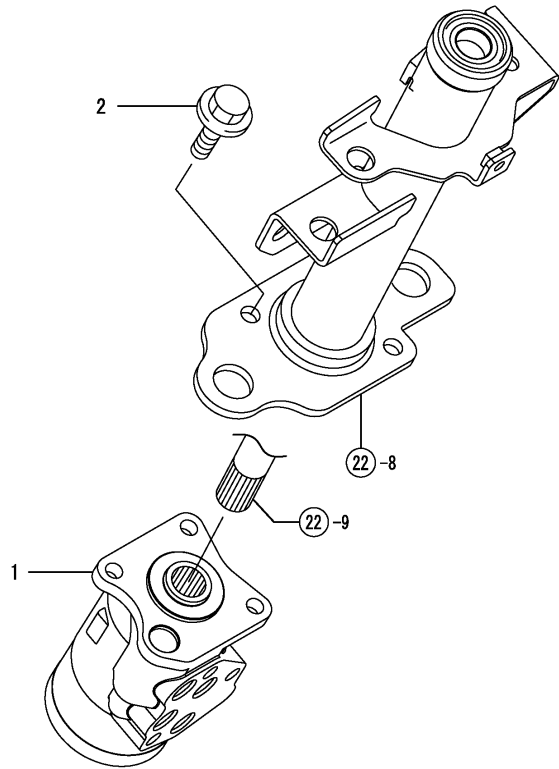
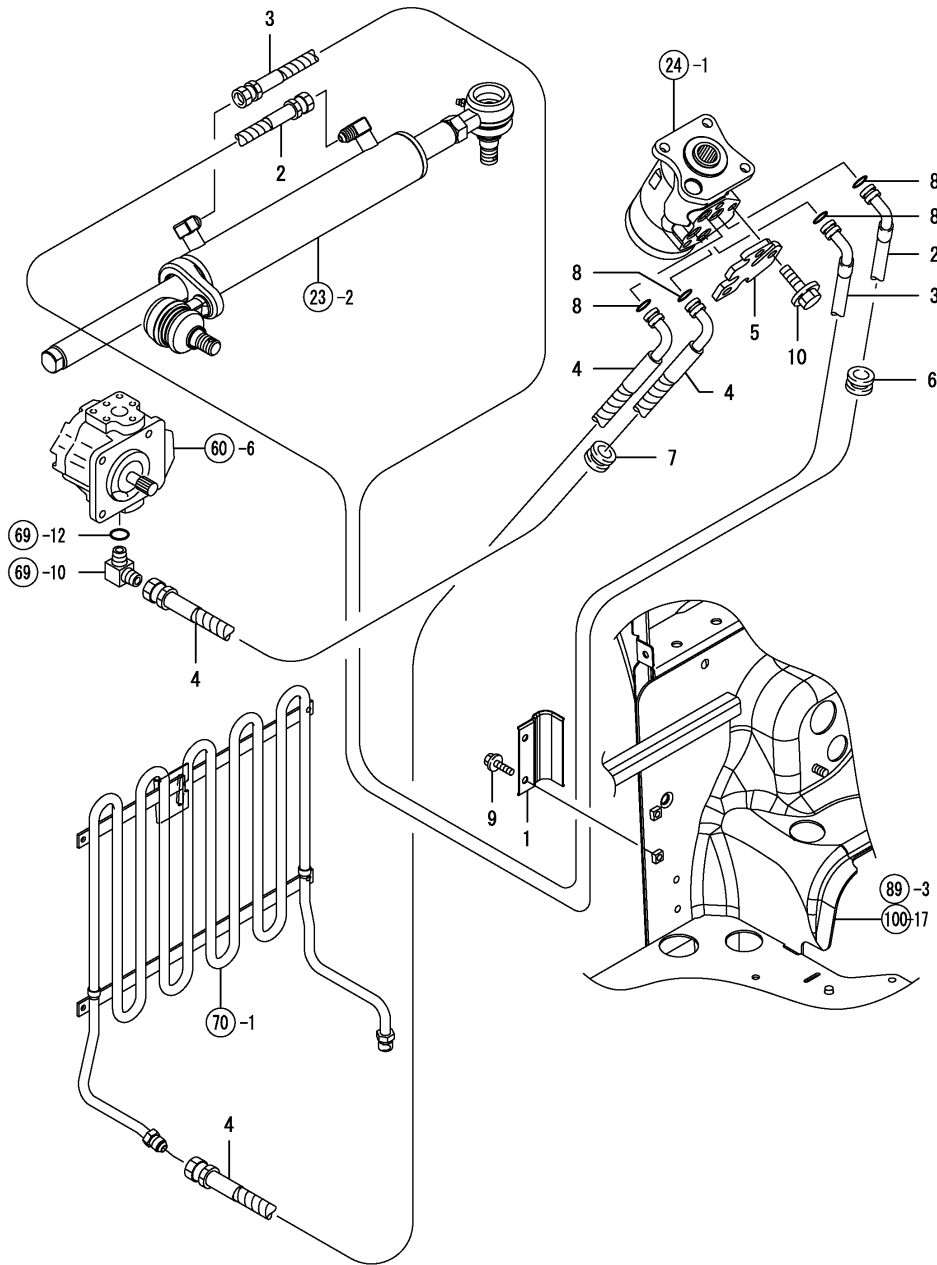


Fig.25. P.S.T. PIPING

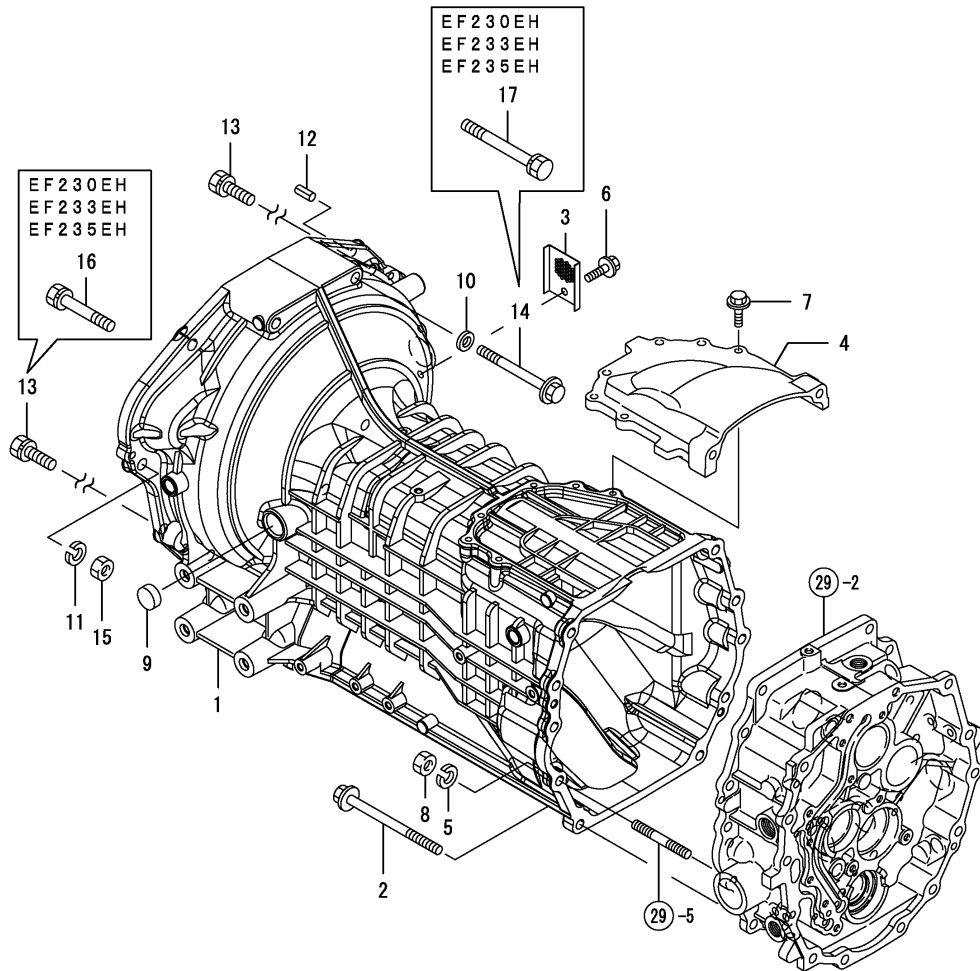
(A)=EF227EH (D)=EF235EH
 (B)=EF230EH (E)=
 (C)=EF233EH (F)=



REF.	LEV.	PARTS NO.	DESCRIPTION	QTY						I	R
				(A)	(B)	(C)	(D)	(E)	(F)		
1	1	198200-17750	CLAMP	1	1	1	1				
2	1	198280-17810	HOSE, HYDRAULIC	1	1	1	1				
3	1	198280-17820	HOSE, HYDRAULIC	1	1	1	1				
4	1	198200-17830	HOSE, HYDRAULIC	2	2	2	2				
5	1	198200-17910	PLATE,	1	1	1	1				
6	1	194170-51210	GROMMET, 25	1	1	1	1				
7	1	198245-51210	GROMMET 25	1	1	1	1				
8	1	24311-000120	O-RING 1A P 12.0	4	4	4	4				
9	1	26106-060122	BOLT M 6X 12 PLATED	2	2	2	2				
10	1	26136-100162	BOLT, 10 X 16	3	3	3	3				

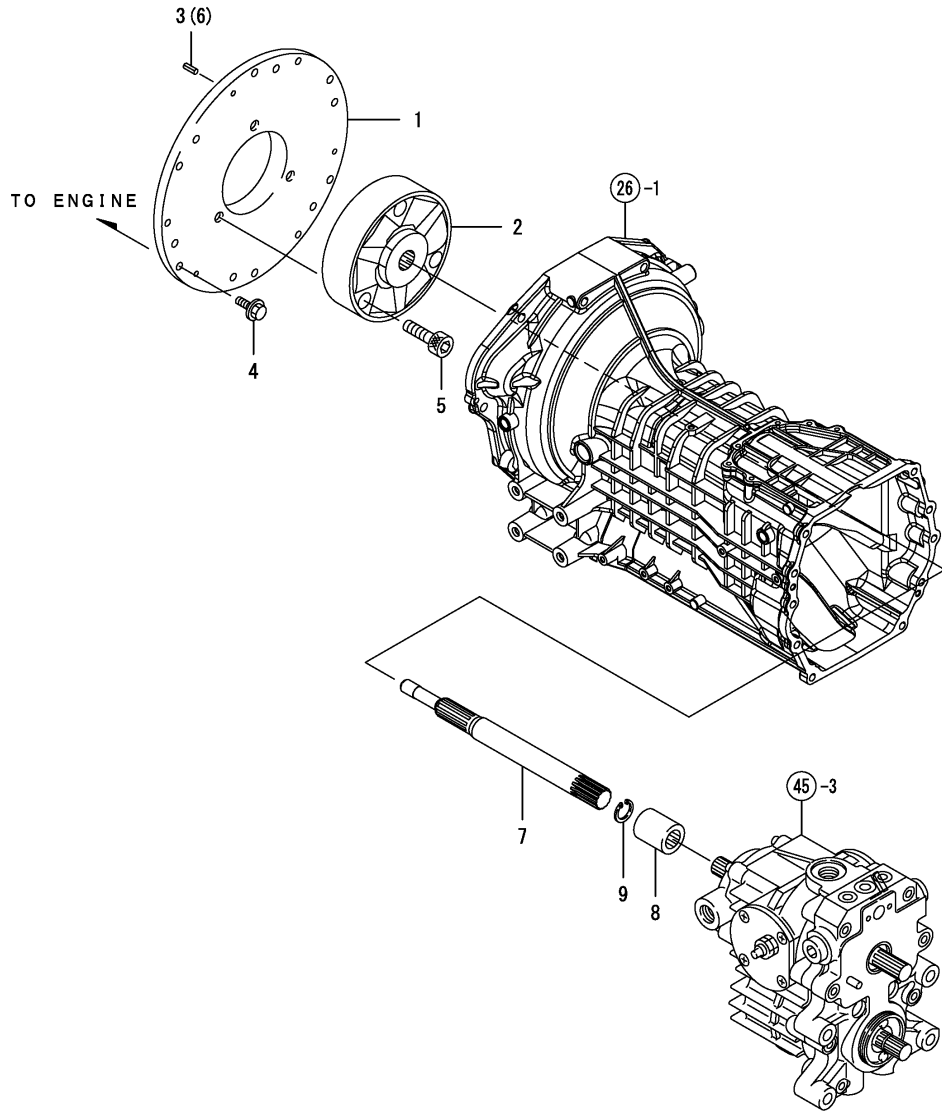
Fig.26. CLUTCH HOUSING

(A)=EF227EH (D)=EF235EH
 (B)=EF230EH (E)=
 (C)=EF233EH (F)=



REF.	LEV.	PARTS NO.	DESCRIPTION	QTY						I	R
				(A)	(B)	(C)	(D)	(E)	(F)		
1	1	198280-21110	HOUSING, CLUTCH	1	1	1	1				
2	1	198200-21140	BOLT, 10 X 135	9	9	9	9				
3	1	198280-21170	COVER, HOUSING	1	1	1	1				
4	1	198280-21520	COVER, HOUSING	1	1	1	1				
5	1	22217-100000	SPRING WASHER 10	1	1	1	1				
6	1	26106-080122	BOLT M 8X 12 PLATED	1	1	1	1				
7	1	26106-080252	BOLT M 8X 25 PLATED	6	6	6	6				
8	1	26716-100002	NUT 10	1	1	1	1				
9	1	27260-260000	PLUG 26,BORE	2	2	2	2				
10	1	22137-100000	WASHER 10,POLISHED	2							
11	1	22217-120000	SPRING WASHER 12	1	1	1	1				
12	1	22351-080018	SPRING PIN 8X18	2	2	2	2				
13	1	26013-120352	BOLT M12X 35	6	4	4	4				
14	1	26106-101052	BOLT M10X105 PLATED	2							
15	1	26716-120002	NUT 12	1	1	1	1				
16	1	26013-120702	BOLT 12X70 W/SP.WSHR		2	2	2				
17	1	26013-121052	BOLT M12X105		2	2	2				

Fig.27. COUPLING & CLUTCH SHAFT



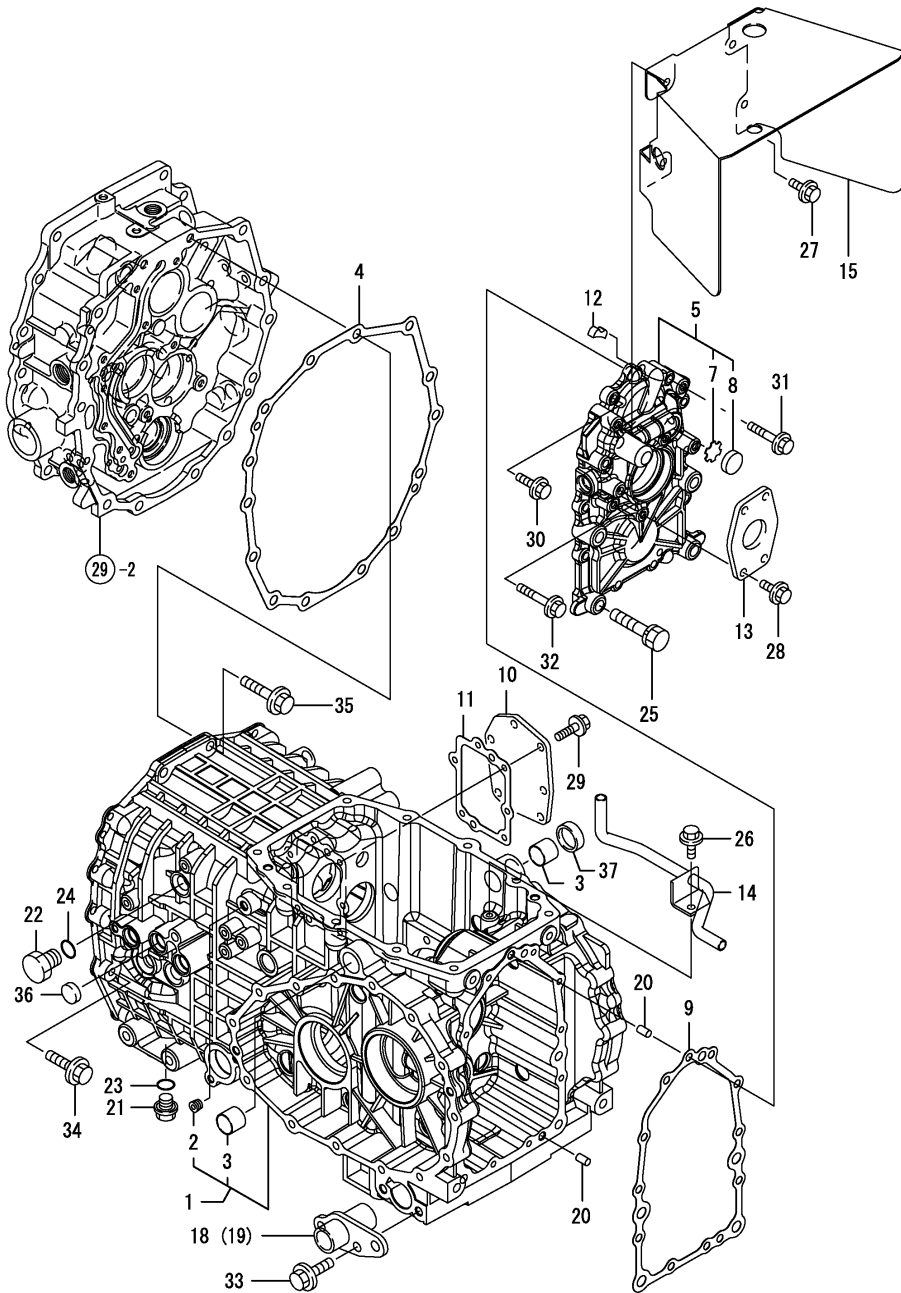
NPC-4322 27. COUPLING & CLUTCH SHAFT

(A)=EF227EH (D)=EF235EH
 (B)=EF230EH (E)=
 (C)=EF233EH (F)=

REF.	LEV.	PARTS NO.	DESCRIPTION	QTY						I	R
				(A)	(B)	(C)	(D)	(E)	(F)		
1	1	198280-21250	PLATE, COUPLING	1	1	1	1				
2	1	172165-71200	COUPLING	1	1	1	1				
3	1	22351-060016	SPRING PIN 6X16	3							
4	1	26106-080252	BOLT M 8X 25 PLATED	6	6	6	6				
5	1	26450-120402	BOLT M12X 40	3	3	3	3				
6	1	22351-080018	SPRING PIN 8X18		3	3	3				
7	1	198280-22110	SHAFT, MAIN DRIVE	1	1	1	1				
8	1	194555-26520	COUPLING	1	1	1	1				
9	1	22252-000220	CIRCLIP 22	1	1	1	1				

Fig.28. TRANSMISSION CASE

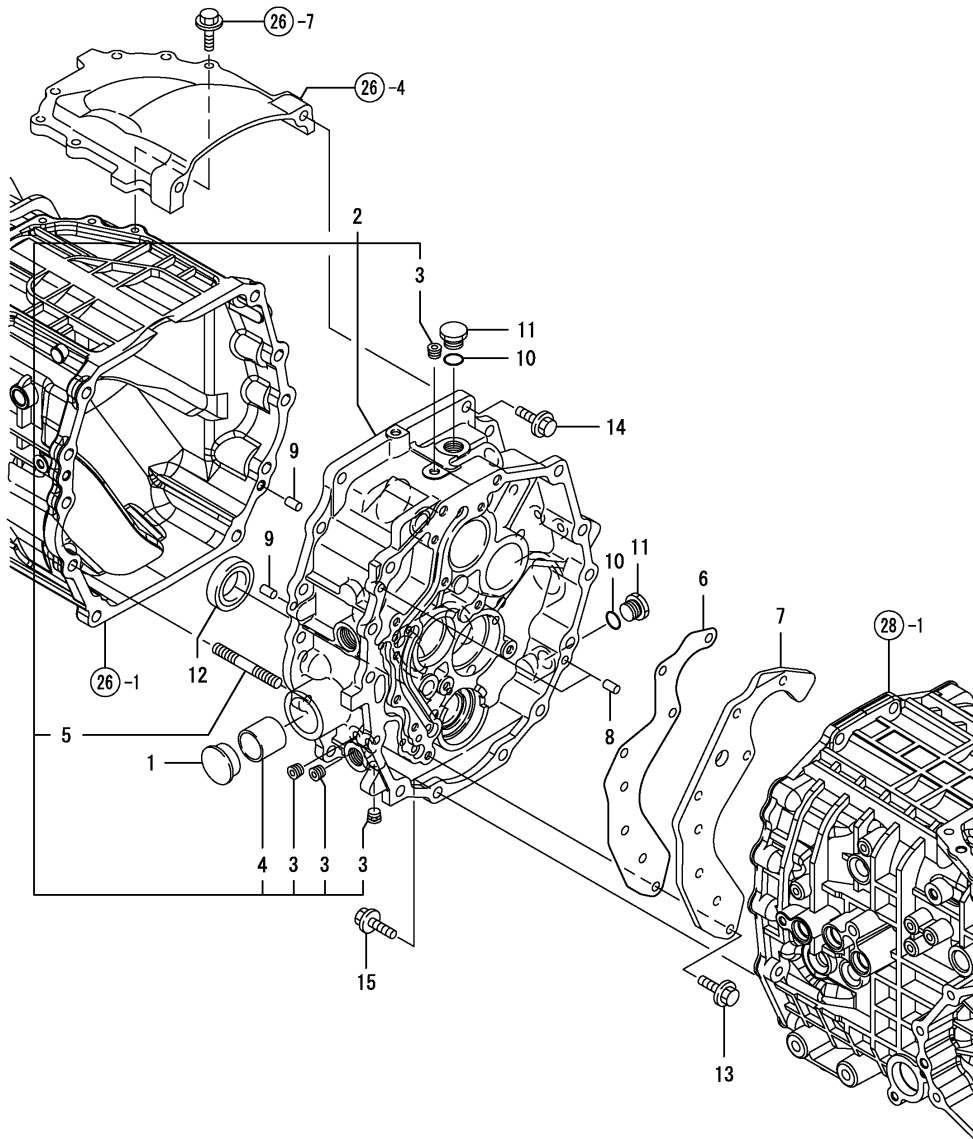
(A)=EF227EH (D)=EF235EH
 (B)=EF230EH (E)=
 (C)=EF233EH (F)=



REF.	LEV.	PARTS NO.	DESCRIPTION	QTY						I	R
				(A)	(B)	(C)	(D)	(E)	(F)		
1	1	198280-24100	HOUSING ASSY, XMSN.	1	1	1	1				
2	2	23875-010000	PLUG PT1/8	1	1	1	1				
3	2	24550-022200	BUSH	2	2	2	2				
4	1	198200-24120	GASKET, XMSN.	1	1	1	1				
5	1	198280-24150	COVER ASSY, XMSN.	1	1	1	1				
7	2	198071-24350	PLATE,OL.INSP.WINDOW	1	1	1	1				
8	2	1A1040-28470	WINDOW 25,OIL CHECK	1	1	1	1				
9	1	198200-24170	GASKET, XMSN. COVER	1	1	1	1				
10	1	198280-24180	COVER, XMSN. SIDE	1	1	1	1				
11	1	198200-24190	GASKET, HOUSING	1	1	1	1				
12	1	198280-24250	SEAL, REAR COVER	1	1	1	1				
13	1	198255-24460	PLATE, OIL SEAL	1	1	1	1				
14	1	198280-24510	LINE ASSY, LUBRICANT	1	1	1	1				
15	1	198280-26900	GUARD M ASSY,PTO	1	1	1	1				
18	1	198280-73170	SUPPORT, LOWER LINK	1	1	1	1				
19	1	198280-73250	SUPPORT, LOWER LINK	1	1	1	1				
20	1	22312-080140	PIN 8X14,STRAIGHT	2	2	2	2				
21	1	23491-140002	PLUG 14	1	1	1	1				
22	1	23887-180002	PLUG 18	3	3	3	3				
23	1	24311-000160	O-RING 1A P-16.0	1	1	1	1				
24	1	24311-000180	O-RING 1A P-18.0	3	3	3	3				
25	1	26013-120552	BOLT M12X55	2	2	2	2				
26	1	26106-080162	BOLT M 8X 16 PLATED	1	1	1	1				
27	1	26106-080162	BOLT M 8X 16 PLATED	4	4	4	4				
28	1	26106-080162	BOLT M 8X 16 PLATED	1	1	1	1				
29	1	26106-080202	BOLT M 8X 20 PLATED	6	6	6	6				
30	1	26106-080252	BOLT M 8X 25 PLATED	8	8	8	8				
31	1	26106-080452	BOLT M 8X 45 PLATED	1	1	1	1				
32	1	26106-080502	BOLT M 8X 50 PLATED	1	1	1	1				
33	1	26106-100252	BOLT M10X 25 PLATED	4	4	4	4				
34	1	26106-100402	BOLT M10X 40 PLATED	1	1	1	1				
35	1	26106-100502	BOLT M10X 50 PLATED	2	2	2	2				
36	1	27260-220000	PLUG 22,BORE	4	4	4	4				
37	1	27260-260000	PLUG 26,BORE	1	1	1	1				

(A)=EF227EH (D)=EF235EH
 (B)=EF230EH (E)=
 (C)=EF233EH (F)=

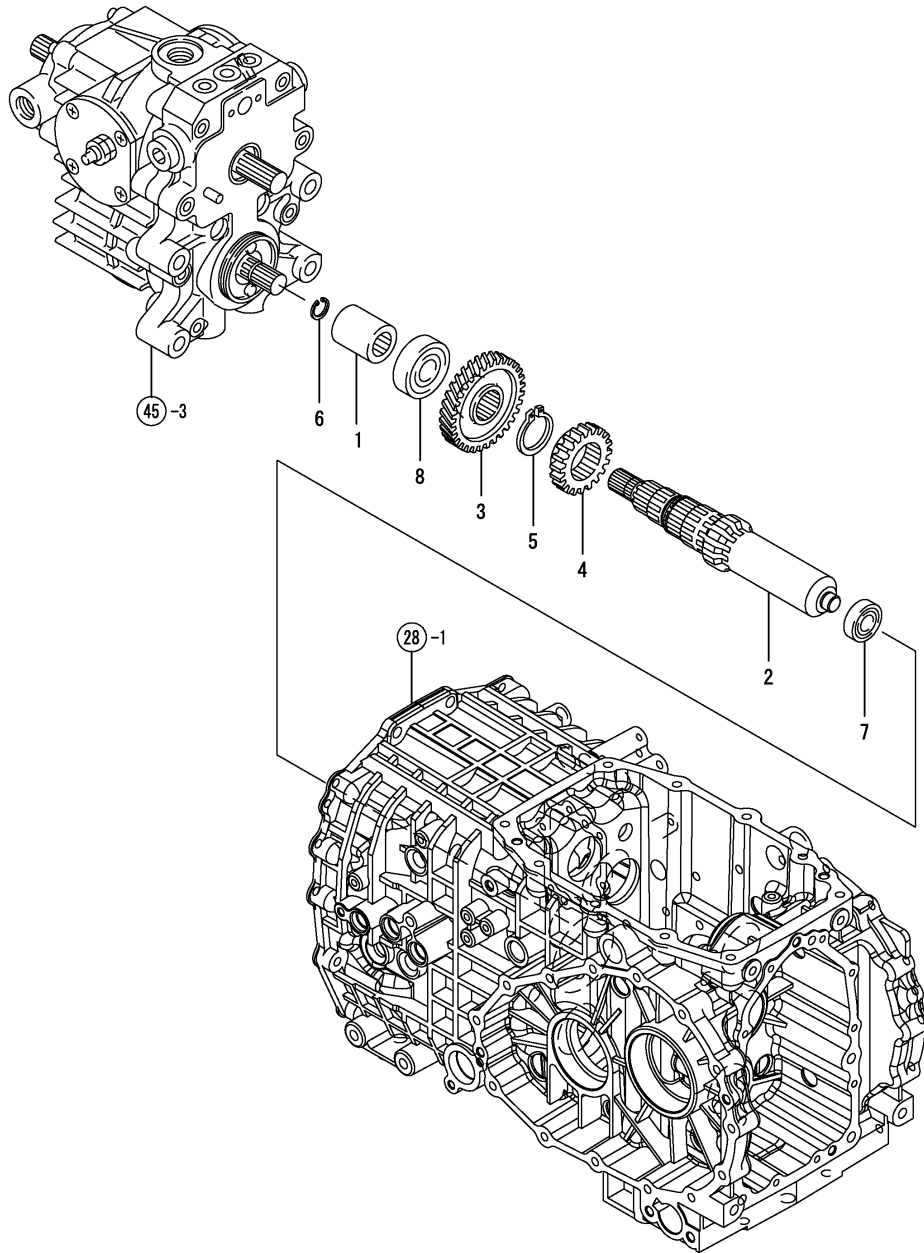
Fig.29. CENTER PLATE



REF.	LEV.	PARTS NO.	DESCRIPTION	QTY						I	R
				(A)	(B)	(C)	(D)	(E)	(F)		
1	1	1A6660-24250	PLUG, BORE 32	2	2	2	2				
2	1	198280-24300	PLATE ASSY, CENTER	1	1	1	1				
3	2	23875-010000	PLUG PT1/8	4	4	4	4				
4	2	24550-032300	BEARING, 32 X 30	2	2	2	2				
5	2	26216-100302	STUD BOLT	1	1	1	1				
6	1	198280-24380	GASKET, PLATE	1	1	1	1				
7	1	198280-24390	PLATE,	1	1	1	1				
8	1	22312-080140	PIN 8X14,STRAIGHT	2	2	2	2				
9	1	22312-080140	PIN 8X14,STRAIGHT	2	2	2	2				
10	1	23414-180000	GASKET 18, ROUND	2	2	2	2				
11	1	23887-180002	PLUG 18	2	2	2	2				
12	1	24421-305011	SEAL, TC305011	1	1	1	1				
13	1	26106-080202	BOLT M 8X 20 PLATED	8	8	8	8				
14	1	26106-100302	BOLT M10X 30 PLATED	2	2	2	2				
15	1	26106-100302	BOLT M10X 30 PLATED	2	2	2	2				

Fig.30. REDUCTION SHAFT

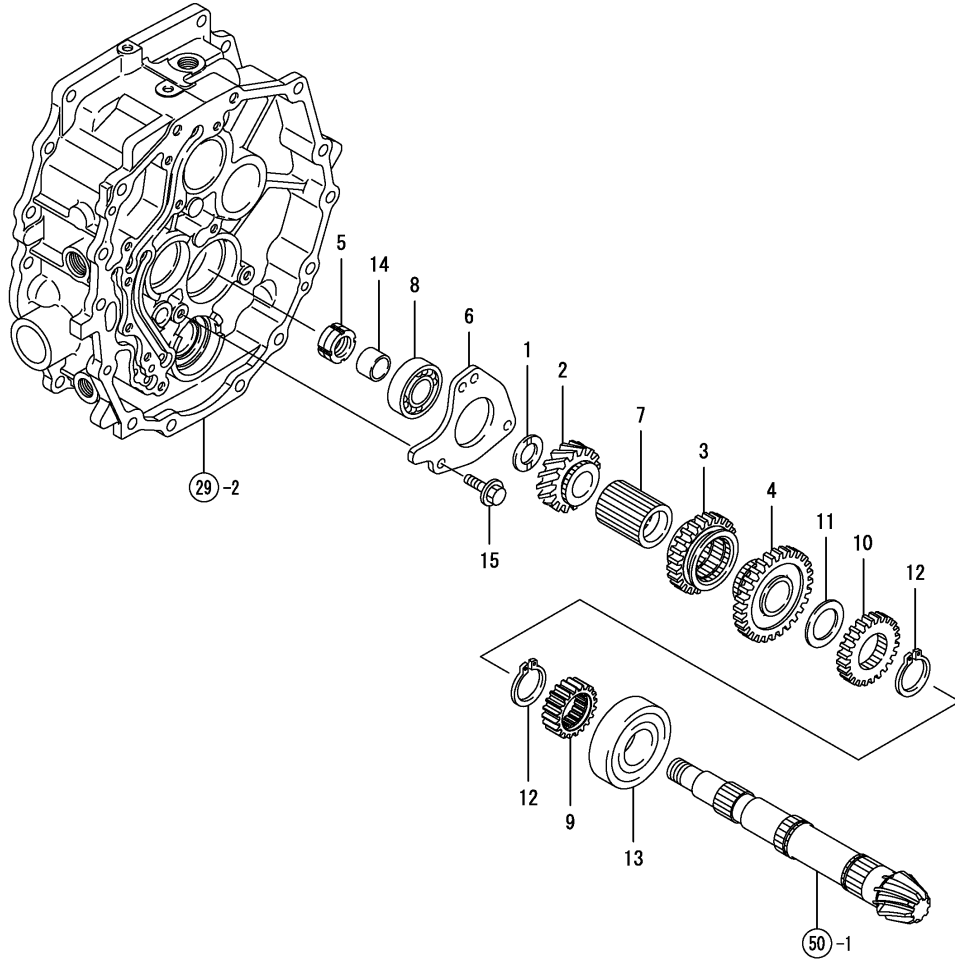
(A)=EF227EH (D)=EF235EH
 (B)=EF230EH (E)=
 (C)=EF233EH (F)=



REF.	LEV.	PARTS NO.	DESCRIPTION	QTY						I	R
				(A)	(B)	(C)	(D)	(E)	(F)		
1	1	194310-25100	JOINT	1	1	1	1				
2	1	198280-25420	SHAFT, REDUCTION	1	1	1	1				
3	1	198280-25650	GEAR, REDUCTION	1	1	1	1				
4	1	198280-25660	GEAR, REDUCTION	1	1	1	1				
5	1	22242-000340	CIRCLIP 34	1	1	1	1				
6	1	22252-000170	CIRCLIP 17	1	1	1	1				
7	1	24101-062024	BALL BEARING	1	1	1	1				
8	1	24101-063044	BALL BEARING	1	1	1	1				

Fig.31. COUNTER SHAFT

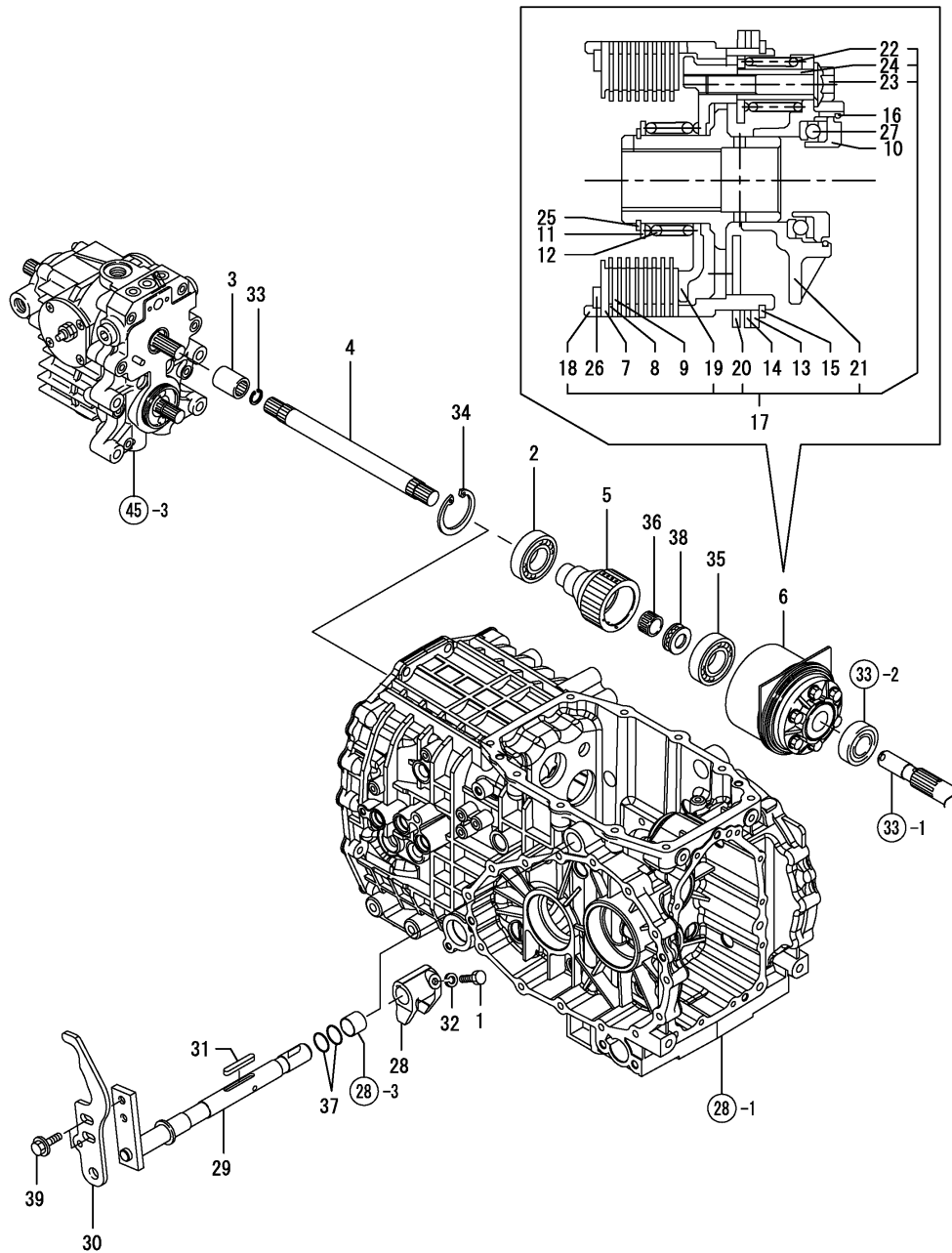
(A)=EF227EH (D)=EF235EH
 (B)=EF230EH (E)=
 (C)=EF233EH (F)=



REF.	LEV.	PARTS NO.	DESCRIPTION	QTY						I	R
				(A)	(B)	(C)	(D)	(E)	(F)		
1	1	198200-25490	WASHER, 20	1	1	1	1				
2	1	198280-25520	GEAR, COUNTER	1	1	1	1				
3	1	198280-25530	GEAR, SLIDE	1	1	1	1				
4	1	198280-25540	GEAR, COUNTER	1	1	1	1				
5	1	198280-25550	NUT, 20	1	1	1	1				
6	1	198280-25590	PLATE	1	1	1	1				
7	1	198280-25810	COLLAR, SPLINE	1	1	1	1				
8	1	194555-25880	BALL BEARING	1	1	1	1				
9	1	198200-28250	GEAR, FRONT DRIVE	1	1	1	1				
10	1	198280-28260	GEAR, FRONT DRIVE 24	1	1	1	1				
11	1	194191-28350	WASHER 30X45X2.5	1	1	1	1				
12	1	22242-000340	CIRCLIP 34	2	2	2	2				
13	1	24101-063074	BEARING	1	1	1	1				
14	1	24163-205170	INNER RACE 202517	1	1	1	1				
15	1	26106-080202	BOLT M 8X 20 PLATED	3	3	3	3				

Fig.32. P.T.O. CLUTCH

(A)=EF227EH (D)=EF235EH
 (B)=EF230EH (E)=
 (C)=EF233EH (F)=

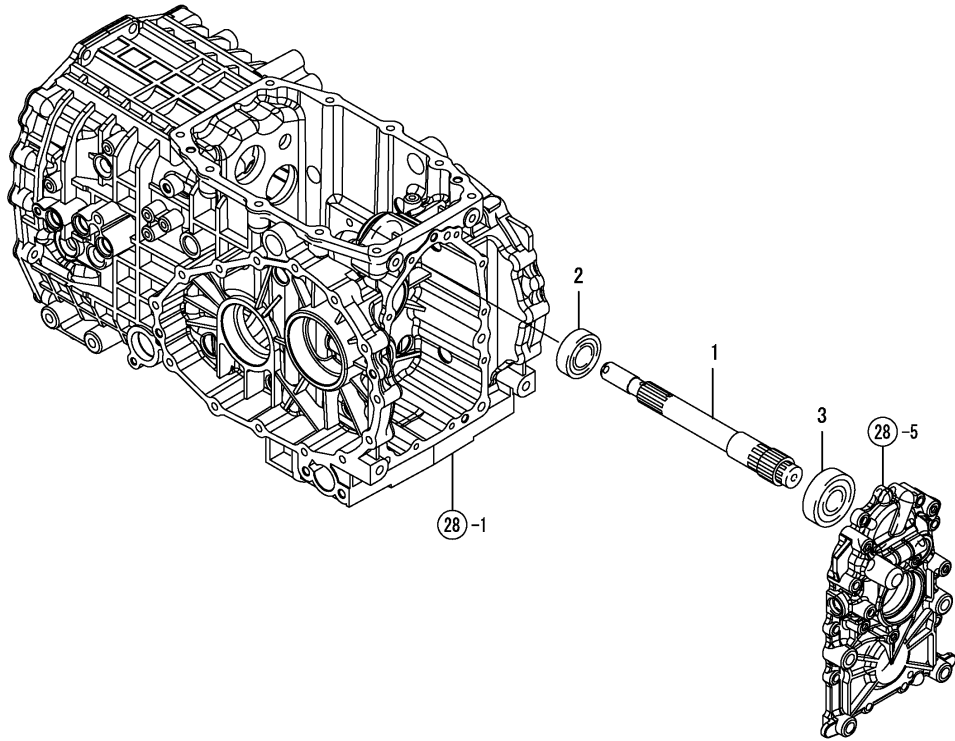


REF.	LEV.	PARTS NO.	DESCRIPTION	QTY						I	R
				(A)	(B)	(C)	(D)	(E)	(F)		
1	1	198221-13410	BOLT	1	1	1	1				
2	1	194430-24190	BALL BEARING	1	1	1	1				
3	1	194310-25100	JOINT	1	1	1	1				
4	1	198280-26010	SHAFT, CONNECTING	1	1	1	1				
5	1	198280-26020	HUB, PTO. CLUTCH	1	1	1	1				
6	1	198280-26030	CLUTCH ASSY, PTO.	1	1	1	1				
7	2	198287-26110	PLATE	1	1	1	1				
8	2	198287-26120	DISK PLATE	8	8	8	8				
9	2	198287-26130	PLATE	8	8	8	8				
10	2	198287-26140	HOLDER, BEARING	1	1	1	1				
11	2	198287-26150	WASHER, SPRING	1	1	1	1				
12	2	198287-26160	SPRING, BRAKE	1	1	1	1				
13	2	198287-26170	BRAKE, PRESSURE	1	1	1	1				
14	2	198287-26180	BRAKE DISC	1	1	1	1				
15	2	198287-26190	RING	1	1	1	1				
16	2	198287-26200	RING	1	1	1	1				
17	2	198287-26210	CASE ASSY, CLUTCH	1	1	1	1				
18	3	198287-26220	CASE, CLUTCH	1	1	1	1				
19	3	198287-26230	PLATE, PRESSURE	1	1	1	1				
20	3	198287-26240	BACK PLATE	1	1	1	1				
21	3	198287-26250	LIFTER, CLUTCH	1	1	1	1				
22	3	198287-26260	CLUTCH SPRING	6	6	6	6				
23	3	198287-26270	BOLT	6	6	6	6				
24	3	198287-26280	COLLAR	6	6	6	6				
25	2	22242-000350	CIRCLIP 35	1	1	1	1				
26	2	22252-001000	CIRCLIP 100(H)	1	1	1	1				
27	2	24520-511060	THRUST BEARING	1	1	1	1				
28	1	198280-26040	YOKE, CLUTCH SHIFT	1	1	1	1				
29	1	198280-26050	SHAFT, RELEASE	1	1	1	1				
30	1	198280-26090	ARM, PTO CLUTCH	1	1	1	1				
31	1	194850-26330	KEY 7X8.5X40	1	1	1	1				
32	1	22217-080000	SPRING WASHER 8	1	1	1	1				
33	1	22252-000170	CIRCLIP 17	1	1	1	1				
34	1	22252-000580	CIRCLIP 58	1	1	1	1				
35	1	24101-062044	BALL BEARING #6204	1	1	1	1				
36	1	24162-202616	NEEDLE BEARING	1	1	1	1				
37	1	24311-000220	O-RING 1A P-22.0	2	2	2	2				
38	1	24520-511040	BEARING 51104	1	1	1	1				
39	1	26106-100202	BOLT M10X 20 PLATED	1	1	1	1				

Fig.33. P.T.O. DRIVE SHAFT

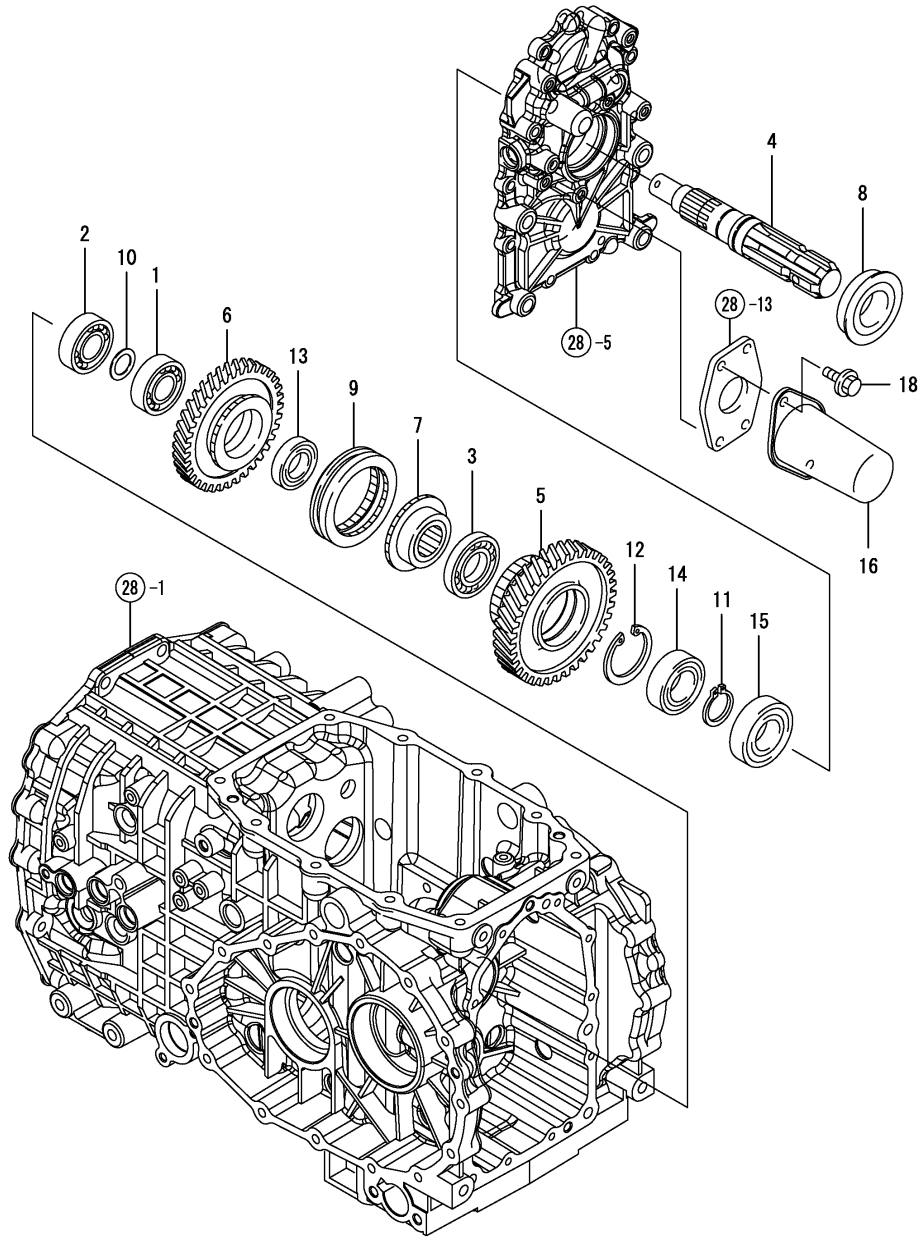
(A)=EF227EH (D)=EF235EH
 (B)=EF230EH (E)=
 (C)=EF233EH (F)=

REF.	LEV.	PARTS NO.	DESCRIPTION	QTY						I	R
				(A)	(B)	(C)	(D)	(E)	(F)		
1	1	198280-26250	SHAFT, PINION	1	1	1	1				
2	1	24101-062054	BEARING #6205	1	1	1	1				
3	1	24104-063054	BALL BEARING	1	1	1	1				



(A)=EF227EH (D)=EF235EH
 (B)=EF230EH (E)=
 (C)=EF233EH (F)=

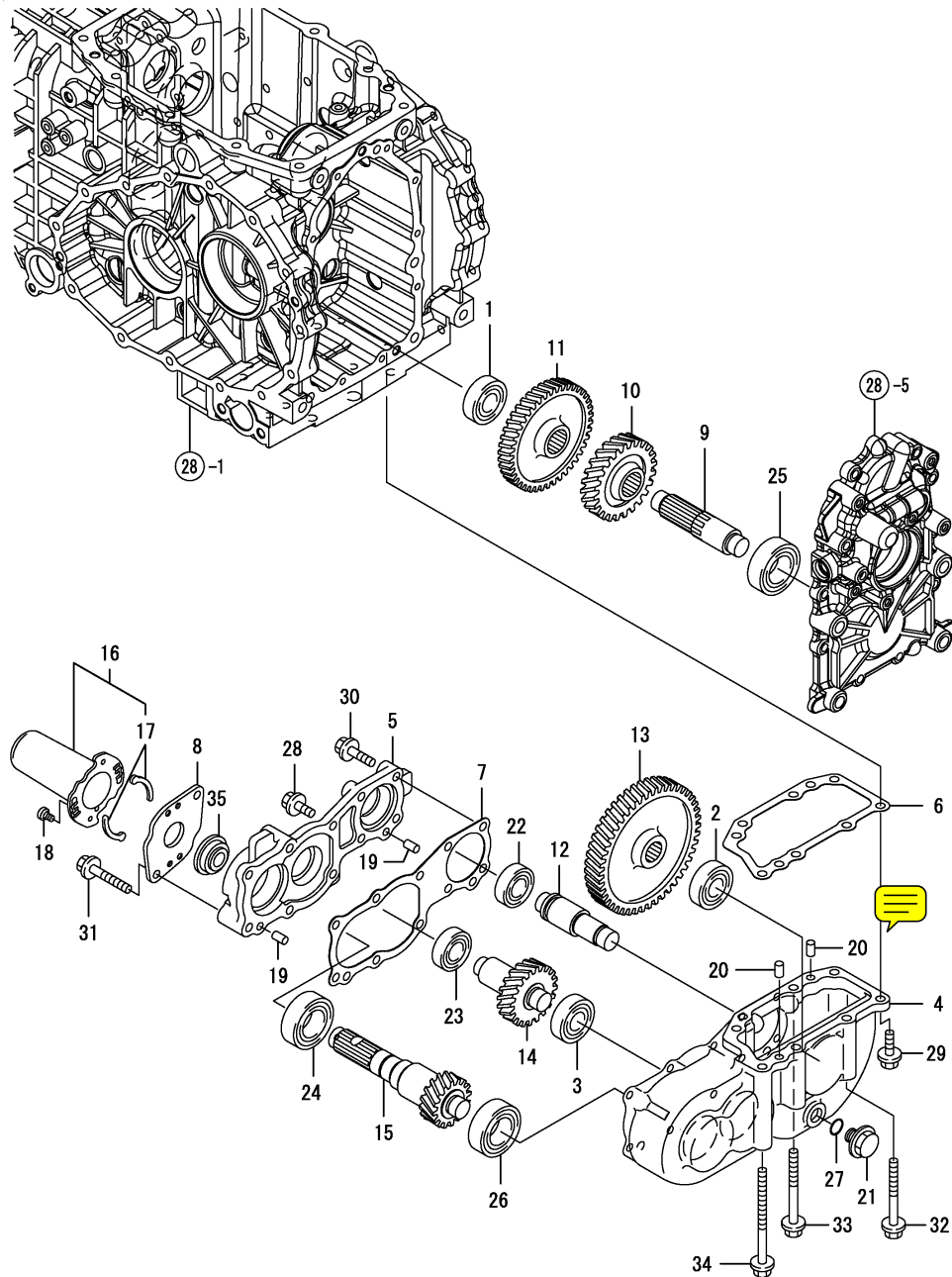
Fig.34. P.T.O. SHAFT



REF.	LEV.	PARTS NO.	DESCRIPTION	QTY						I	R
				(A)	(B)	(C)	(D)	(E)	(F)		
1	1	194447-13860	BEARING, TMB304CX1	1	1	1	1				
2	1	194447-13860	BEARING, TMB304CX1	1	1	1	1				
3	1	194430-25460	BALL BEARING 16006	1	1	1	1				
4	1	198280-26310	SHAFT, PTO.	1	1	1	1				
5	1	198280-26320	GEAR, PTO	1	1	1	1				
6	1	198280-26330	GEAR, PTO PINION	1	1	1	1				
7	1	198280-26340	COLLAR, SPLINE	1	1	1	1				
8	1	194370-26350	SEAL QLF 35 60 19	1	1	1	1				
9	1	198280-26350	SHIFTER	1	1	1	1				
10	1	1E6440-54430	THRUST WASHER B	1	1	1	1				
11	1	22242-000300	CIRCLIP 30	1	1	1	1				
12	1	22252-000550	CIRCLIP 55	1	1	1	1				
13	1	24101-060054	BALL BEARING 6005	1	1	1	1				
14	1	24101-060064	BALL BEARING	1	1	1	1				
15	1	24101-062064	BALL BEARING 6206	1	1	1	1				
16	1	1A7100-26850	COVER M COMP.,SHAFT	1	1	1	1				
18	1	26106-080122	BOLT M 8X 12 PLATED	2	2	2	2				

(A)=EF227EH (D)=EF235EH
 (B)=EF230EH (E)=
 (C)=EF233EH (F)=

Fig.35. MID P.T.O.



REF.	LEV.	PARTS NO.	DESCRIPTION	QTY						I	R
				(A)	(B)	(C)	(D)	(E)	(F)		
1	1	194447-13860	BEARING, TMB304CX1	1	1	1	1				
2	1	194447-13860	BEARING, TMB304CX1	1	1	1	1				
3	1	194447-13860	BEARING, TMB304CX1	1	1	1	1				
4	1	198280-26410	HOUSING, MID PTO.	1	1	1	1				
5	1	198280-26420	COVER, PTO. HOUSING	1	1	1	1				
6	1	198280-26430	GASKET, PTO. HOUSING	1	1	1	1				
7	1	198280-26440	GASKET, PTO COVER	1	1	1	1				
8	1	198280-26450	PLATE, SHAFT COVER	1	1	1	1				
9	1	198280-26510	SHAFT, MID PTO. IDLE	1	1	1	1				
10	1	198280-26520	GEAR, MID PTO. IDLE	1	1	1	1				
11	1	198280-26530	GEAR, MID PTO. IDLE	1	1	1	1				
12	1	198280-26540	SHAFT, MID PTO. IDLE	1	1	1	1				
13	1	198280-26550	GEAR, MID PTO. IDLE	1	1	1	1				
14	1	198280-26560	SHAFT, MID PTO. IDLE	1	1	1	1				
15	1	198280-26580	SHAFT, MID PTO.	1	1	1	1				
16	1	194850-26850	COVER ASSY, SHAFT	1	1	1	1				
17	2	194850-26870	SPRING, SHIFT COVER	2	2	2	2				
18	1	194250-32530	PIN, COVER HOOK	2	2	2	2				
19	1	22312-080140	PIN 8X14, STRAIGHT	2	2	2	2				
20	1	22312-080140	PIN 8X14, STRAIGHT	2	2	2	2				
21	1	23491-140002	PLUG 14	1	1	1	1				
22	1	24101-060044	BALL BEARING #6004	1	1	1	1				
23	1	24101-060044	BALL BEARING #6004	1	1	1	1				
24	1	24101-060064	BALL BEARING	1	1	1	1				
25	1	24101-062044	BALL BEARING #6204	1	1	1	1				
26	1	24101-062044	BALL BEARING #6204	1	1	1	1				
27	1	24311-000160	O-RING 1A P-16.0	1	1	1	1				
28	1	26106-080202	BOLT M 8X 20 PLATED	4	4	4	4				
29	1	26106-080252	BOLT M 8X 25 PLATED	2	2	2	2				
30	1	26106-080302	BOLT M 8X 30 PLATED	4	4	4	4				
31	1	26106-080502	BOLT M 8X 50 PLATED	2	2	2	2				
32	1	26106-080752	BOLT M 8X 75 PLATED	2	2	2	2				
33	1	26106-080852	BOLT M 8X 85 PLATED	2	2	2	2				
34	1	26106-081102	BOLT M 8X110 PLATED	2	2	2	2				
35	1	933147-10350	SEAL QLF 25471121	1	1	1	1				

Fig.37. CLUTCH LEVER

NPC-4322 37. CLUTCH LEVER

(A)=EF227EH (D)=EF235EH
 (B)=EF230EH (E)=
 (C)=EF233EH (F)=

REF.	LEV.	PARTS NO.	DESCRIPTION	QTY						I	R
				(A)	(B)	(C)	(D)	(E)	(F)		
1	1	198280-26610	LEVER, PTO. CLUTCH	1	1	1	1				
2	1	26106-080202	BOLT M 8X 20 PLATED	2	2	2	2				
3	1	174845-27700	BOOT, SHAFT	1	1	1	1				
4	1	198200-27910	KNOB, YELLOW	1	1	1	1				

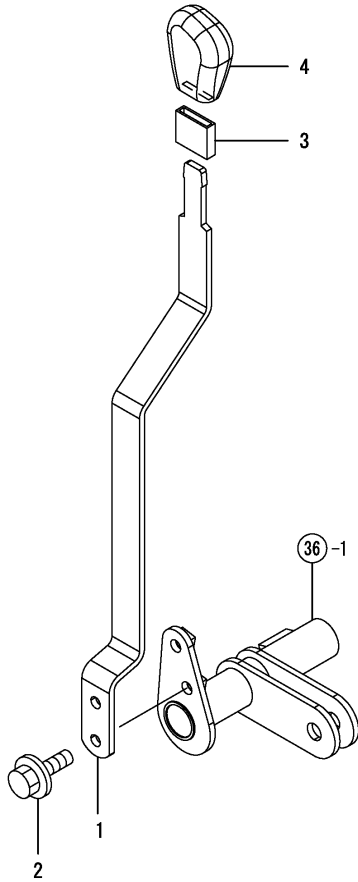


Fig.38. LEVER BRACKET(RIGHT)

NPC-4322 38. LEVER BRACKET(RIGHT)

(A)=EF227EH (D)=EF235EH
 (B)=EF230EH (E)=
 (C)=EF233EH (F)=

REF.	LEV.	PARTS NO.	DESCRIPTION	QTY						I	R
				(A)	(B)	(C)	(D)	(E)	(F)		
1	1	198280-28160	BRACKET, LEVER R	1	1	1	1				
2	1	26106-080162	BOLT M 8X 16 PLATED	3	3	3	3				
3	1	26106-100202	BOLT M10X 20 PLATED	1	1	1	1				

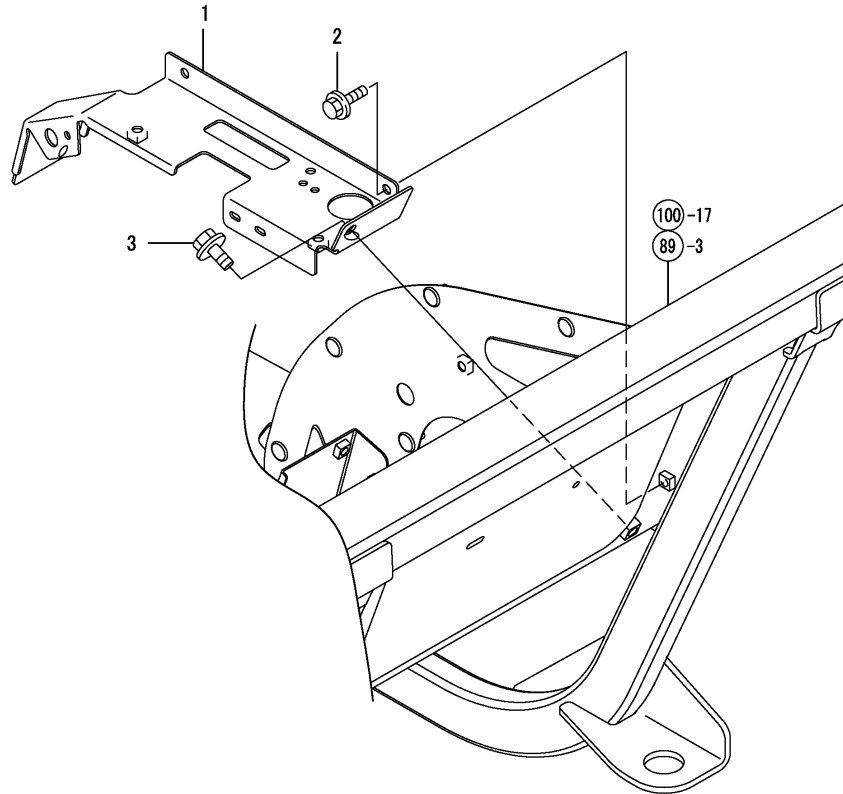
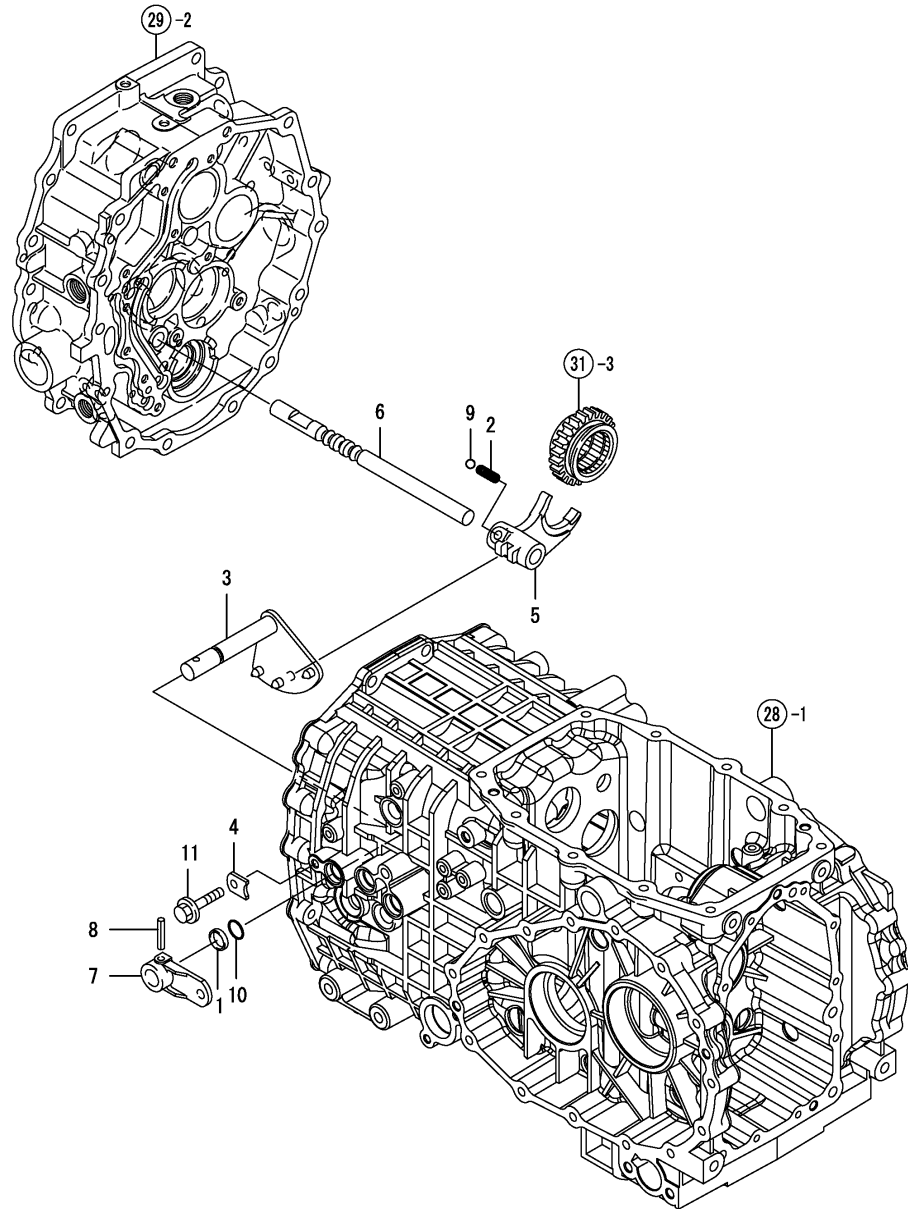


Fig.39. SUB CHANGE SHIFT

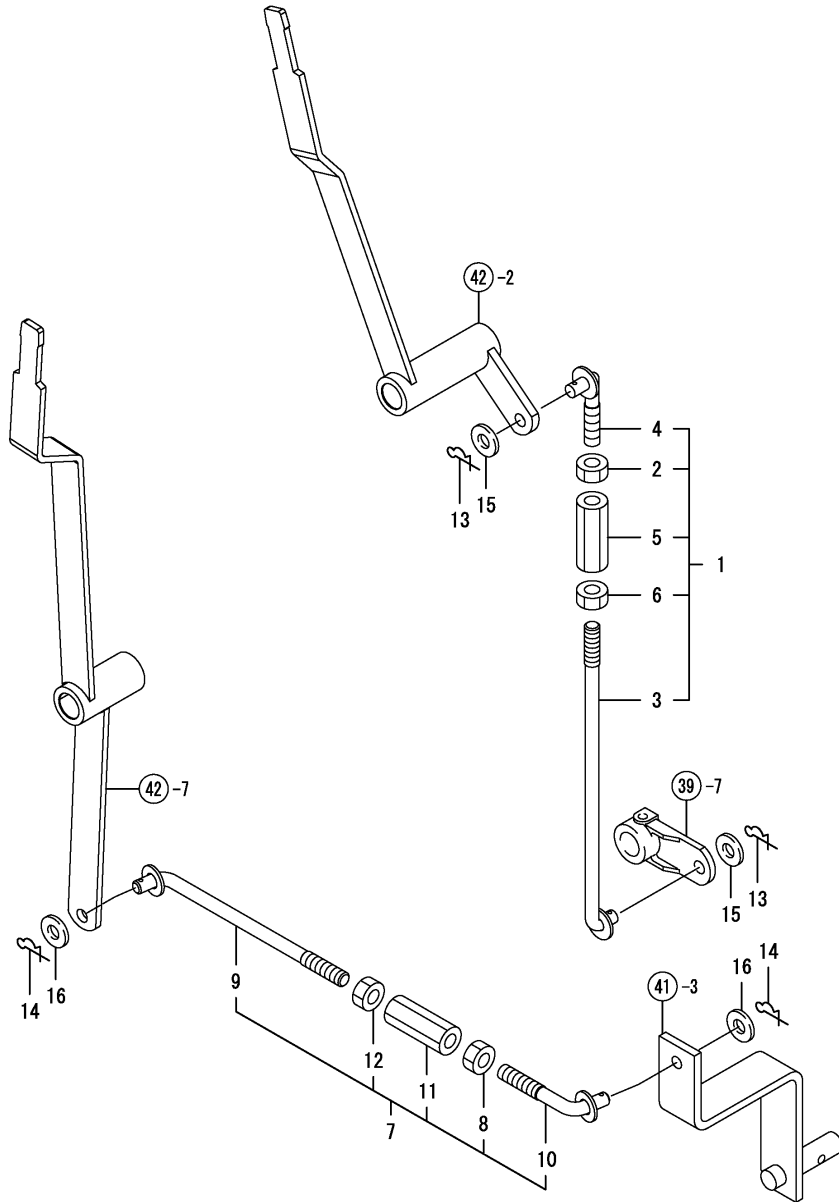
(A)=EF227EH (D)=EF235EH
 (B)=EF230EH (E)=
 (C)=EF233EH (F)=



REF.	LEV.	PARTS NO.	DESCRIPTION	QTY						I	R
				(A)	(B)	(C)	(D)	(E)	(F)		
1	1	198119-27150	COLLOR	1	1	1	1				
2	1	194145-27450	SPRING	1	1	1	1				
3	1	198280-27520	ARM, RANGE SHIFT	1	1	1	1				
4	1	198119-27570	PLATE	1	1	1	1				
5	1	198280-27570	FORK, RANGE SHIFT	1	1	1	1				
6	1	198280-27580	SHAFT, FORK	1	1	1	1				
7	1	198072-27650	ARM, SHIFT 50	1	1	1	1				
8	1	22351-060032	SPRING PIN 6X32	1	1	1	1				
9	1	24190-100001	BALL 5/16, STEEL	1	1	1	1				
10	1	24311-000160	O-RING 1A P-16.0	1	1	1	1				
11	1	26106-080162	BOLT M 8X 16 PLATED	1	1	1	1				

Fig.40. CHANGE LINK

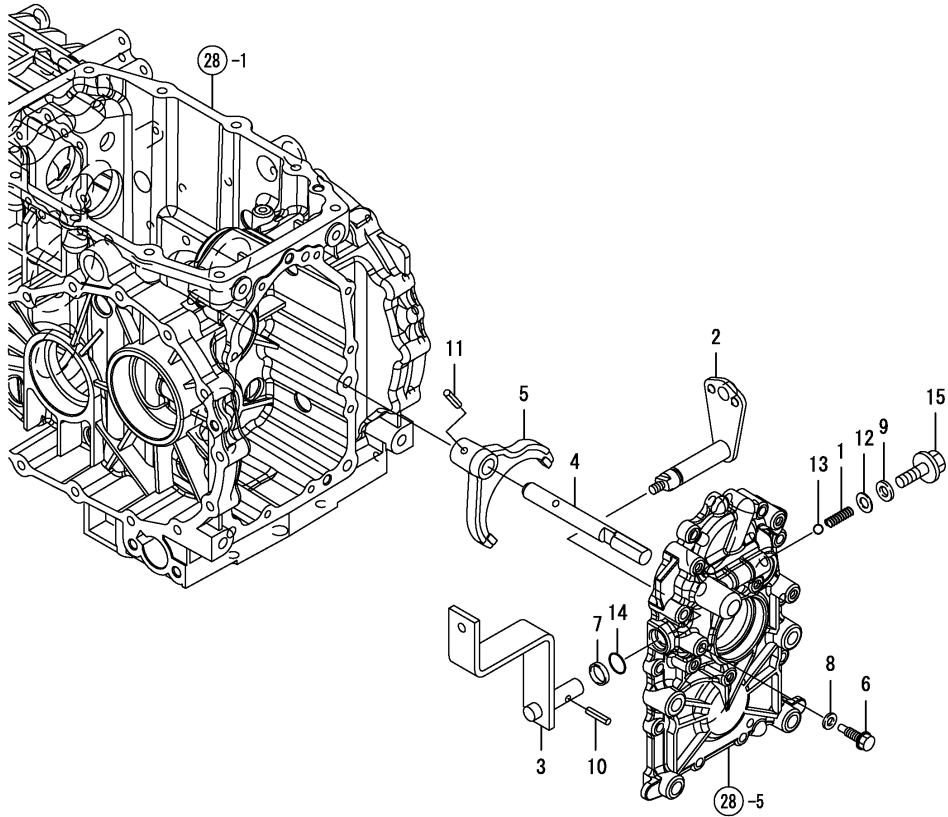
(A)=EF227EH (D)=EF235EH
 (B)=EF230EH (E)=
 (C)=EF233EH (F)=



REF.	LEV.	PARTS NO.	DESCRIPTION	QTY						I	R
				(A)	(B)	(C)	(D)	(E)	(F)		
1	1	198280-27650	ROD ASSY, RENGE SHIF	1	1	1	1				
2	2	194150-22480	NUT M10	1	1	1	1				
3	2	198280-27660	ROD ASSY, M10	1	1	1	1				
4	2	198121-28160	ROD M10,LEFT	1	1	1	1				
5	2	194250-47490	TURNBUCKLE, 10X50	1	1	1	1				
6	2	26716-100002	NUT 10	1	1	1	1				
7	1	198280-27960	ROD ASSY, MBR SHIF	1	1	1	1				
8	2	194150-22480	NUT M10	1	1	1	1				
9	2	198280-27970	ROD A ASSY,MBR SHIF	1	1	1	1				
10	2	198280-28000	L-BOLT,M10 L	1	1	1	1				
11	2	194250-47490	TURNBUCKLE, 10X50	1	1	1	1				
12	2	26716-100002	NUT 10	1	1	1	1				
13	1	1C6360-65700	SNAP PIN 10	2	2	2	2				
14	1	1C6360-65700	SNAP PIN 10	2	2	2	2				
15	1	22137-100000	WASHER 10,POLISHED	2	2	2	2				
16	1	22137-100000	WASHER 10,POLISHED	2	2	2	2				

Fig.41. P.T.O. SHIFT

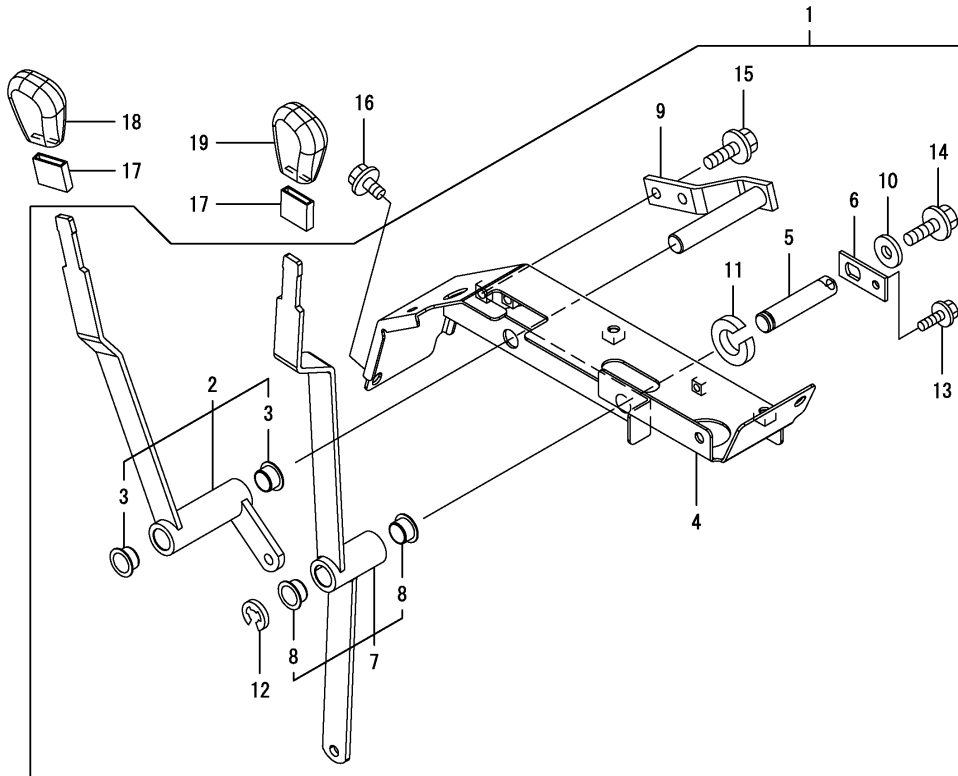
(A)=EF227EH (D)=EF235EH
 (B)=EF230EH (E)=
 (C)=EF233EH (F)=



REF.	LEV.	PARTS NO.	DESCRIPTION	QTY						I	R
				(A)	(B)	(C)	(D)	(E)	(F)		
1	1	194680-27540	SPRING, FORK LOCK	1	1	1	1				
2	1	198280-27710	ARM, PTO. SHIFT	1	1	1	1				
3	1	198280-27740	ARM, PTO. SHIFT	1	1	1	1				
4	1	198280-27770	SHAFT, FORK PTO.	1	1	1	1				
5	1	198280-27780	FORK, PTO SHIFT	1	1	1	1				
6	1	198280-27790	BOLT, SET	1	1	1	1				
7	1	198121-28380	COLLAR B, SHIFT ARM	1	1	1	1				
8	1	22190-080000	SEAL WASHER 8(BOLT)	1	1	1	1				
9	1	22190-100000	SEAL WASHER 10(BOLT)	1	1	1	1				
10	1	22351-060025	SPRING PIN 6X25	1	1	1	1				
11	1	22351-060025	SPRING PIN 6X25	1	1	1	1				
12	1	23414-100000	GASKET 10, ROUND	1	1	1	1				
13	1	24190-080001	BALL 1/4, STEEL	1	1	1	1				
14	1	24311-000150	O-RING 1A P-15.0	1	1	1	1				
15	1	26106-100302	BOLT M10X 30 PLATED	1	1	1	1				

Fig.42. SUB CHANGE LEVER & P.T.O.LEVER

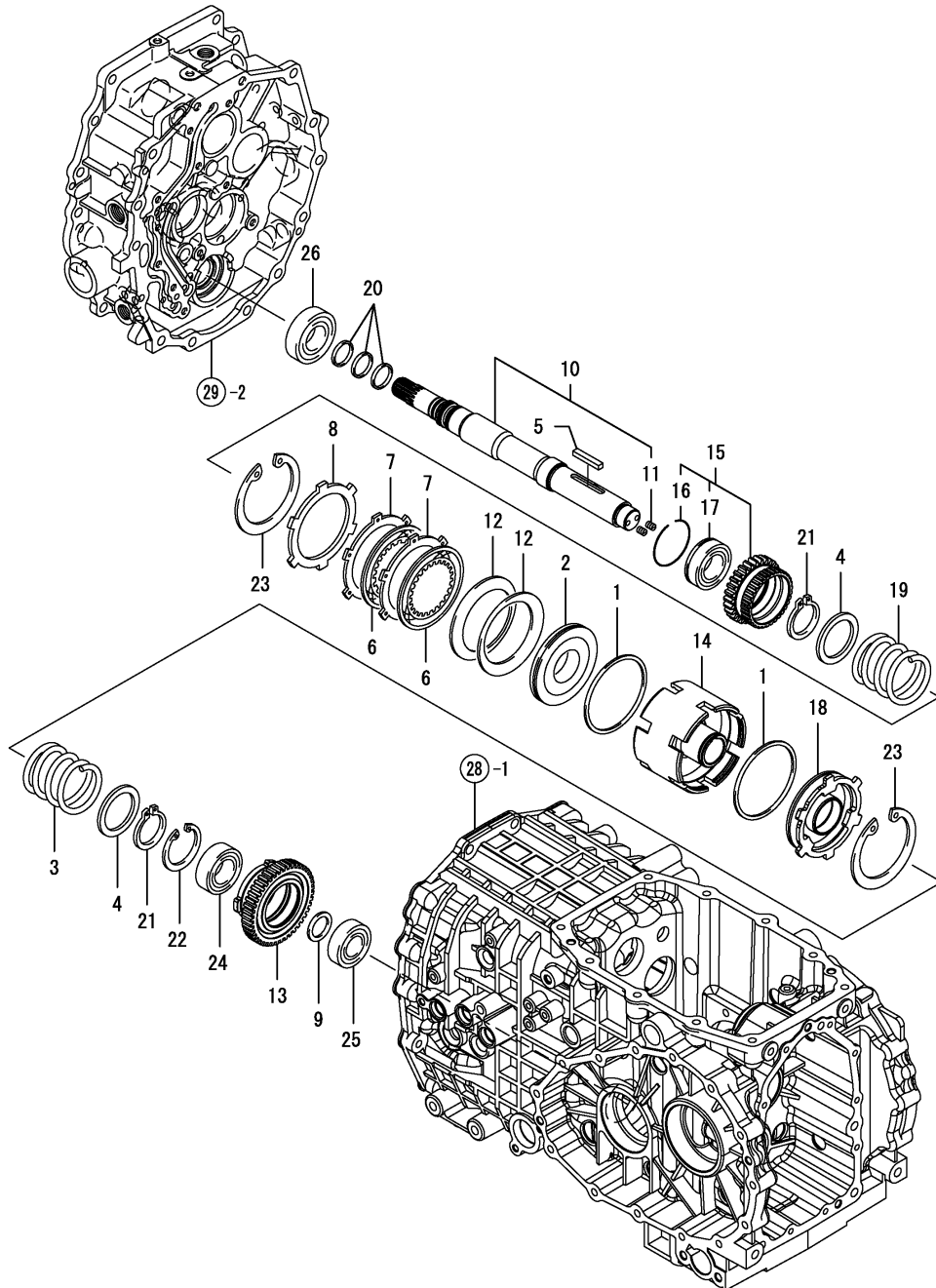
(A)=EF227EH (D)=EF235EH
 (B)=EF230EH (E)=
 (C)=EF233EH (F)=



REF.	LEV.	PARTS NO.	DESCRIPTION	QTY						I	R
				(A)	(B)	(C)	(D)	(E)	(F)		
1	1	198280-27800	SUB SHIFT PTO LEVER	1	1	1	1				
2	2	198280-27610	LEVER ASSY, RANGE	1	1	1	1				
3	3	1S6489-63330	LFF 1610	2	2	2	2				
4	2	198280-27810	BRACKET ASSY, LEVER L	1	1	1	1				
5	2	198280-27860	PIN	1	1	1	1				
6	2	198280-27870	PLATE	1	1	1	1				
7	2	198280-27880	LEVER ASSY, MBR	1	1	1	1				
8	3	1S6489-63330	LFF 1610	2	2	2	2				
9	2	198280-28700	SHAFT, SUB SHIFT	1	1	1	1				
10	2	22157-080000	WASHER 8	1	1	1	1				
11	2	22217-160000	SPRING WASHER 16	1	1	1	1				
12	2	22272-000120	CIRCLIP E-12	1	1	1	1				
13	2	26106-060122	BOLT M 6X 12 PLATED	1	1	1	1				
14	2	26106-080122	BOLT M 8X 12 PLATED	1	1	1	1				
15	2	26106-080162	BOLT M 8X 16 PLATED	2	2	2	2				
16	1	26106-080162	BOLT M 8X 16 PLATED	2	2	2	2				
17	1	174845-27700	BOOT, SHAFT	2	2	2	2				
18	1	198200-27810	KNOB, ORANGE	1	1	1	1				
19	1	198200-27910	KNOB, YELLOW	1	1	1	1				

(A)=EF227EH (D)=EF235EH
 (B)=EF230EH (E)=
 (C)=EF233EH (F)=

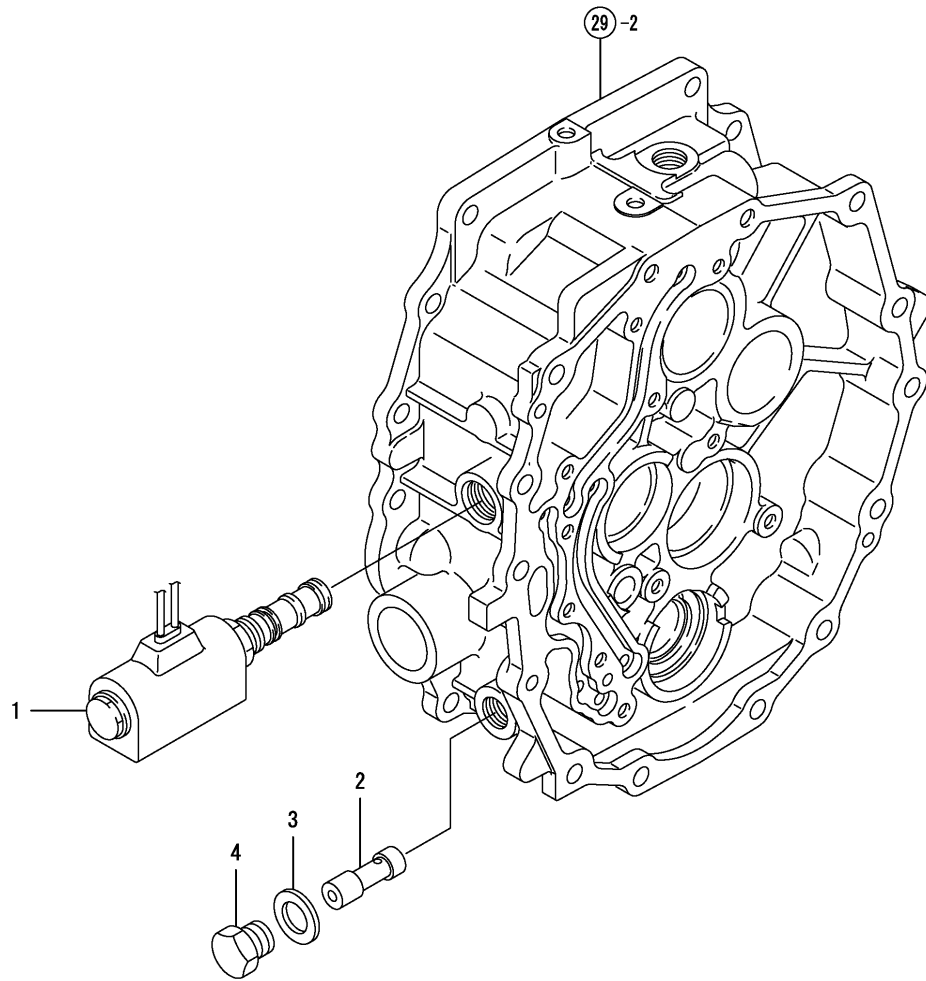
Fig.43. FRONT DRIVE



REF.	LEV.	PARTS NO.	DESCRIPTION	QTY						I	R
				(A)	(B)	(C)	(D)	(E)	(F)		
1	1	194515-25530	D-RING 95	2	2	2	2				
2	1	194515-25540	PISTON, CLUTCH	1	1	1	1				
3	1	194300-25790	SPRING	1	1	1	1				
4	1	194440-25810	RETAINER, SPRING	2	2	2	2				
5	1	194850-26330	KEY 7X8.5X40	1	1	1	1				
6	1	194850-26340	PLATE, FRICTION	2	2	2	2				
7	1	194850-26360	PLATE 1.2, STEEL	2	2	2	2				
8	1	194850-26370	PLATE 3.2, STEEL	1	1	1	1				
9	1	194190-26840	SPACER 25X36X1.6	1	1	1	1				
10	1	198280-28190	SHAFT ASSY, DRIVE	1	1	1	1				
11	2	1E6191-54330	SCREW 7X8	2	2	2	2				
12	1	198072-28260	SPRING	2	2	2	2				
13	1	198208-28311	GEAR, CLUTCH FRONT	1	1	1	1				
14	1	198200-28322	CYLINDER, CLUTCH	1	1	1	1				
15	1	198280-28350	GEAR ASSY, CLUTCH	1	1	1	1				
16	2	198200-28340	RING, 55	1	1	1	1				
17	2	24111-060064	BALL BEARING	1	1	1	1				
18	1	198200-28390	PISTON, CLUTCH FRONT	1	1	1	1				
19	1	198200-28450	SPRING, RETURN	1	1	1	1				
20	1	198451-28750	RING 262730073,SEAL	3	3	3	3				
21	1	22242-000400	CIRCLIP 40	2	2	2	2				
22	1	22252-000550	CIRCLIP 55	1	1	1	1				
23	1	22252-000950	CIRCLIP 95	2	2	2	2				
24	1	24101-060064	BALL BEARING	1	1	1	1				
25	1	24101-060064	BALL BEARING	1	1	1	1				
26	1	24101-062054	BEARING #6205	1	1	1	1				

Fig.44. HIGH-GRIP VALVE

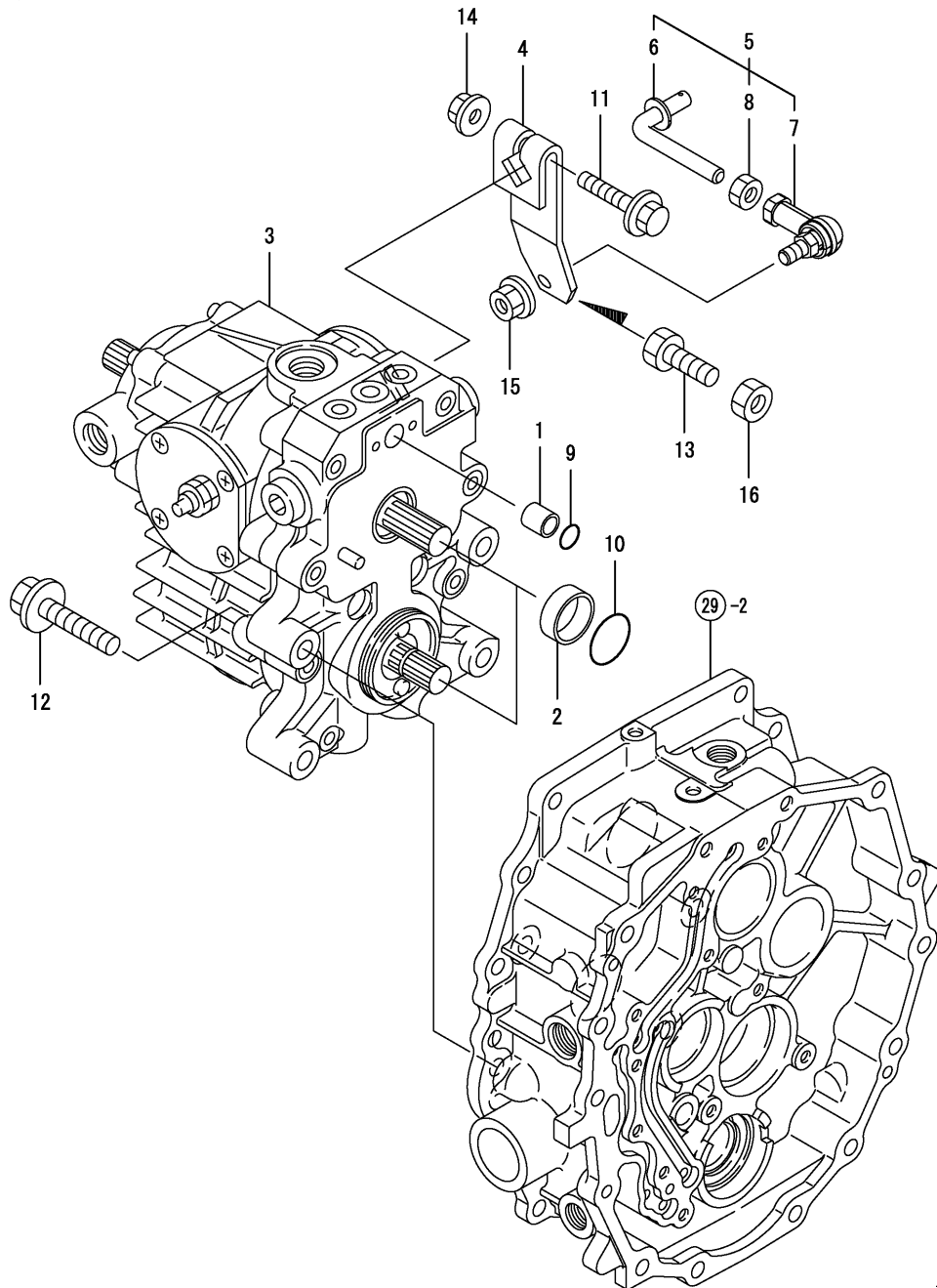
(A)=EF227EH (D)=EF235EH
 (B)=EF230EH (E)=
 (C)=EF233EH (F)=



REF.	LEV.	PARTS NO.	DESCRIPTION	QTY						I	R
				(A)	(B)	(C)	(D)	(E)	(F)		
1	1	178076-07210	SOLENOID	1	1	1	1				
2	1	198280-28530	VALVE, SHIFT	1	1	1	1				
3	1	23414-180000	GASKET 18, ROUND	1	1	1	1				
4	1	23887-180002	PLUG 18	1	1	1	1				

Fig.45. H.S.T.

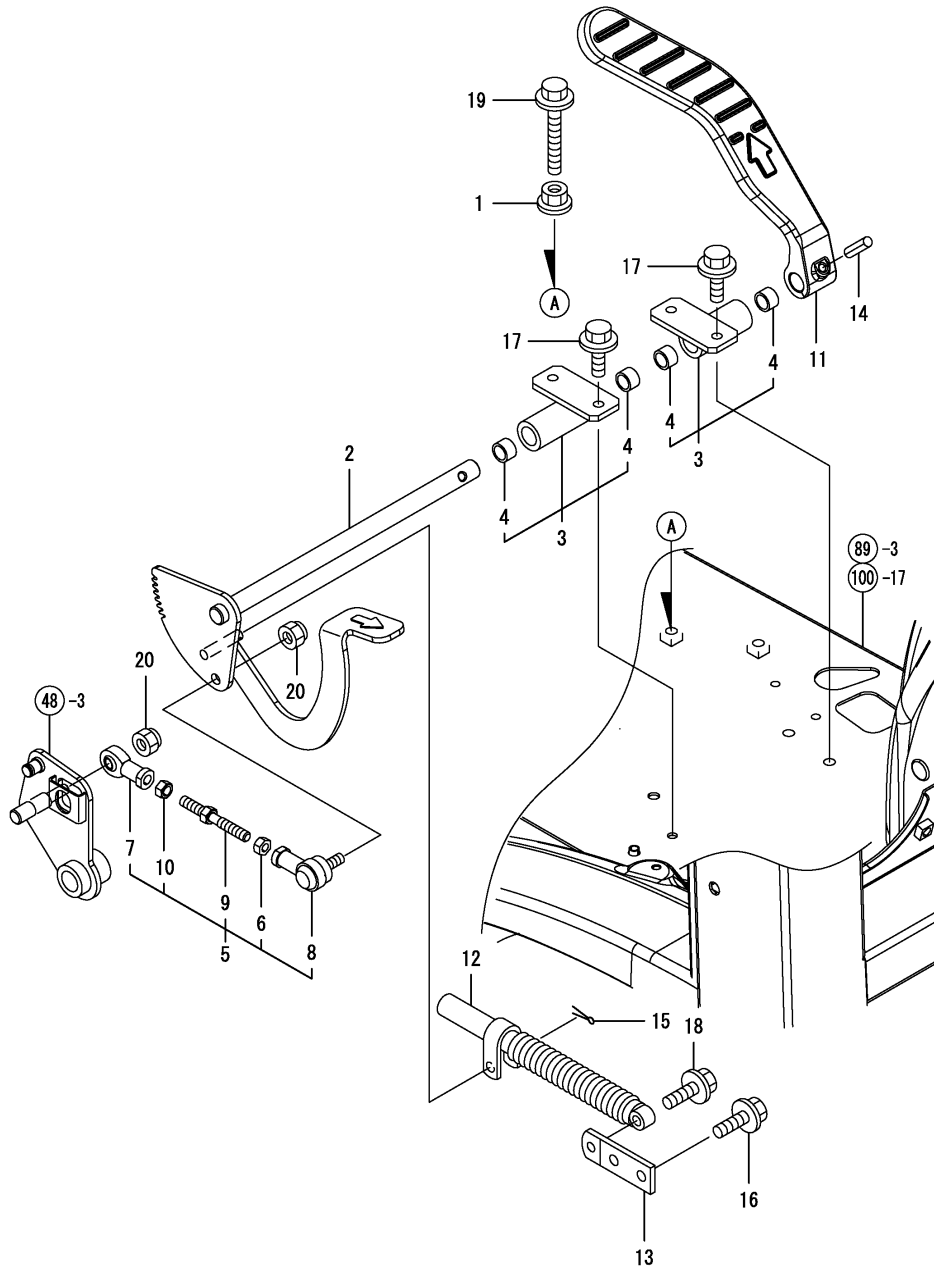
(A)=EF227EH (D)=EF235EH
 (B)=EF230EH (E)=
 (C)=EF233EH (F)=



REF.	LEV.	PARTS NO.	DESCRIPTION	QTY						I	R
				(A)	(B)	(C)	(D)	(E)	(F)		
1	1	198280-24340	COLLAR, 12X16X17	2	2	2	2				
2	1	198280-24350	COLLAR, 32X35X12	2	2	2	2				
3	1	198280-25150	HST UNIT,	1	1	1	1				
4	1	198280-27220	ARM, TRUNNION	1	1	1	1				
5	1	198280-29030	ROD ASSY, A	1	1	1	1				
6	2	198280-29040	PIN ASSY, A	1	1	1	1				
7	2	1C6720-47170	BALL BL10BD,RING	1	1	1	1				
8	2	26716-100002	NUT 10	1	1	1	1				
9	1	24311-000160	O-RING 1A P-16.0	2	2	2	2				
10	1	24311-000340	O-RING 1A P-34.0	2	2	2	2				
11	1	26106-080502	BOLT M 8X 50 PLATED	1	1	1	1				
12	1	26106-120552	BOLT, 12 X 55	4	4	4	4				
13	1	26116-100602	BOLT M10X 60 PLATED	1	1	1	1				
14	1	26366-080002	NUT M 8	1	1	1	1				
15	1	26366-100002	NUT M10	1	1	1	1				
16	1	26716-100002	NUT 10	1	1	1	1				

Fig.46. H.S.T. PEDAL

(A)=EF227EH (D)=EF235EH
 (B)=EF230EH (E)=
 (C)=EF233EH (F)=



REF.	LEV.	PARTS NO.	DESCRIPTION	QTY						I	R
				(A)	(B)	(C)	(D)	(E)	(F)		
1	1	194990-22140	NUT W/WASHER 8	1	1	1	1				
2	1	198280-29250	PLATE ASSY, LOCK	1	1	1	1				
3	1	198280-29340	BRACKET ASSY, B	2	2	2	2				
4	2	24550-015120	BUSH 15X12	2	2	2	2				
5	1	198280-29390	ROD ASSY, B	1	1	1	1				
6	2	194990-20170	NUT W/WASHER 8	1	1	1	1				
7	2	198129-27290	ROD-END; 8	1	1	1	1				
8	2	194820-27370	END (L), ROD	1	1	1	1				
9	2	198280-29400	ROD ASSY, B	1	1	1	1				
10	2	26716-080002	NUT M 8	1	1	1	1				
11	1	198280-29430	HEAD, PEDAL	1	1	1	1				
12	1	194697-29580	DAMPER	1	1	1	1				
13	1	198280-29700	STAY, DUMPER	1	1	1	1				
14	1	22351-060040	SPRING PIN 6X40	1	1	1	1				
15	1	22417-200300	COTTER PIN 2.0X30	1	1	1	1				
16	1	26106-080162	BOLT M 8X 16 PLATED	2	2	2	2				
17	1	26106-080162	BOLT M 8X 16 PLATED	4	4	4	4				
18	1	26106-080252	BOLT M 8X 25 PLATED	1	1	1	1				
19	1	26106-080552	BOLT M 8X 55 PLATED	1	1	1	1				
20	1	26346-080002	U-NUT M 8 PLATED	2	2	2	2				

Fig.47. H.S.T. CRUISE A

(A)=EF227EH (D)=EF235EH
 (B)=EF230EH (E)=
 (C)=EF233EH (F)=

REF.	LEV.	PARTS NO.	DESCRIPTION	QTY						I	R
				(A)	(B)	(C)	(D)	(E)	(F)		
1	1	198280-27470	LEVER ASSY, CRUISE	1	1	1	1				
2	1	198280-27490	PLATE, CRUISE	1	1	1	1				
3	1	198200-37640	COLLAR,	1	1	1	1				
4	1	198475-37690	SPRING	1	1	1	1				
5	1	198461-60590	BOLT 6* 20	1	1	1	1				
6	1	22157-080000	WASHER 8	2	2	2	2				
7	1	26106-080202	BOLT M 8X 20 PLATED	1	1	1	1				

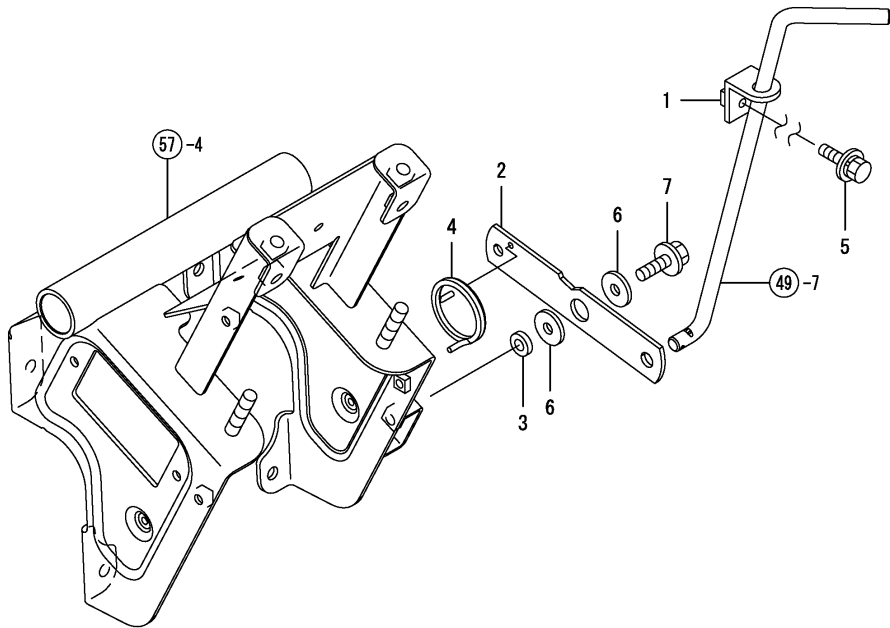
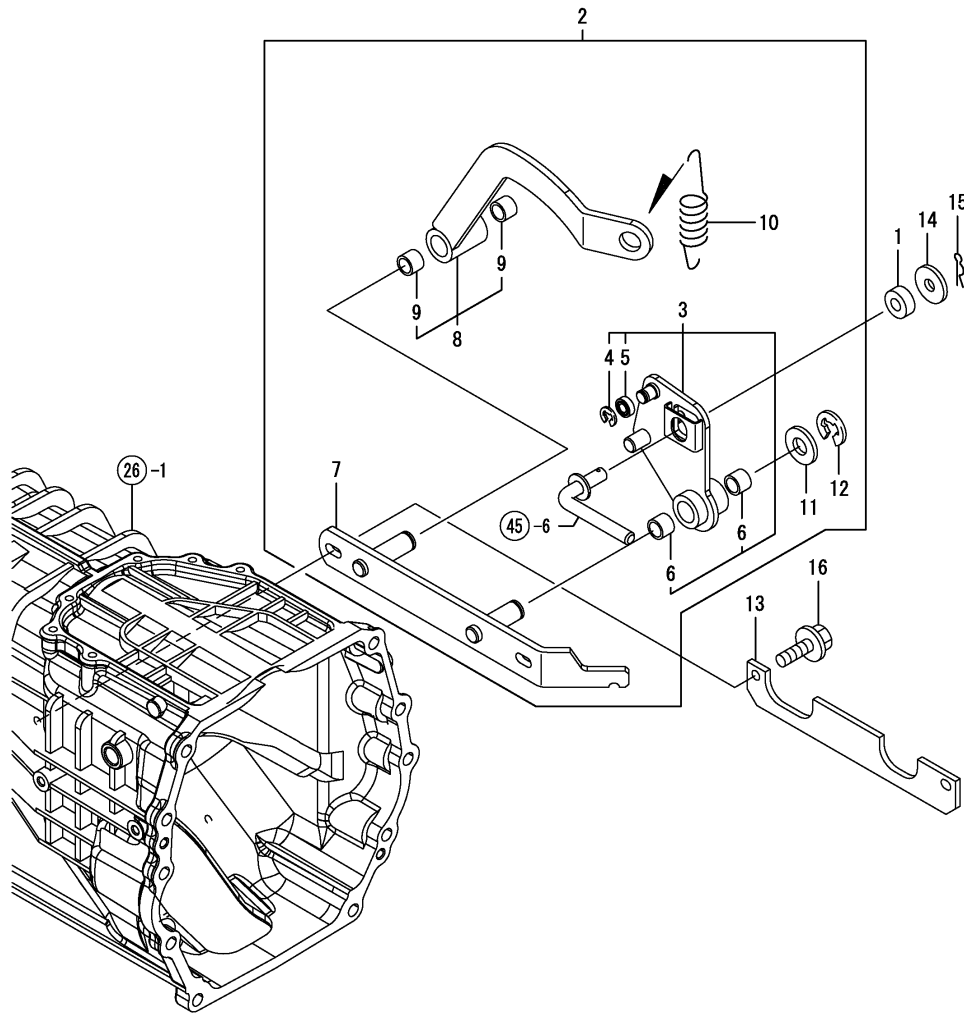


Fig.48. H.S.T. LINK

(A)=EF227EH (D)=EF235EH
 (B)=EF230EH (E)=
 (C)=EF233EH (F)=



REF.	LEV.	PARTS NO.	DESCRIPTION	QTY						I	R
				(A)	(B)	(C)	(D)	(E)	(F)		
1	1	198129-27281	CAMROLLER	1	1	1	1				
2	1	198280-29000	PEDAL ASSY, HST A	1	1	1	1				
3	2	198280-29080	ARM ASSY, A	1	1	1	1				
4	3	22272-000070	CIRCLIP E- 7	1	1	1	1				
5	3	24104-060000	BEARING 6000UUC3	1	1	1	1				
6	3	24550-015120	BUSH 15X12	2	2	2	2				
7	2	198280-29150	BRACKET ASSY, A	1	1	1	1				
8	2	198280-29200	ARM ASSY, RETURN	1	1	1	1				
9	3	24550-015120	BUSH 15X12	2	2	2	2				
10	2	198280-29490	SPRING,	1	1	1	1				
11	2	22137-140000	WASHER 14,POLISHED	2	2	2	2				
12	2	22272-000120	CIRCLIP E-12	2	2	2	2				
13	1	198280-29810	PLATE, BRACKET	1	1	1	1				
14	1	22157-100000	WASHER 10	1	1	1	1				
15	1	22372-100000	SNAP PIN 10	1	1	1	1				
16	1	26106-080202	BOLT M 8X 20 PLATED	2	2	2	2				

(A)=EF227EH (D)=EF235EH
 (B)=EF230EH (E)=
 (C)=EF233EH (F)=

Fig.49. H.S.T. CRUISE B

REF.	LEV.	PARTS NO.	DESCRIPTION	QTY						I	R
				(A)	(B)	(C)	(D)	(E)	(F)		
1	1	194464-01190	KNOB, THROTTLE LEVER	1	1	1	1				
2	1	198280-27400	LEVER UNIT, CRUISE	1	1	1	1				
3	2	198280-27410	PLATE ASSY,	1	1	1	1				
4	2	198280-27440	BRACKET ASSY, CRUISE	1	1	1	1				
5	2	22272-000070	CIRCLIP E- 7	1	1	1	1				
6	1	198280-27500	ROD, CRUISE	1	1	1	1				
7	1	198280-27510	LEVER, CRUISE	1	1	1	1				
8	1	198448-37450	BOOTS	1	1	1	1				
9	1	22137-080000	WASHER 8, POLISHED	2	2	2	2				
10	1	22137-100000	WASHER 10,POLISHED	1	1	1	1				
11	1	22372-080000	SNAP PIN (JASO 8)	2	2	2	2				
12	1	22372-100000	SNAP PIN 10	1	1	1	1				
13	1	26106-060162	BOLT M 6X 16 PLATED	3	3	3	3				

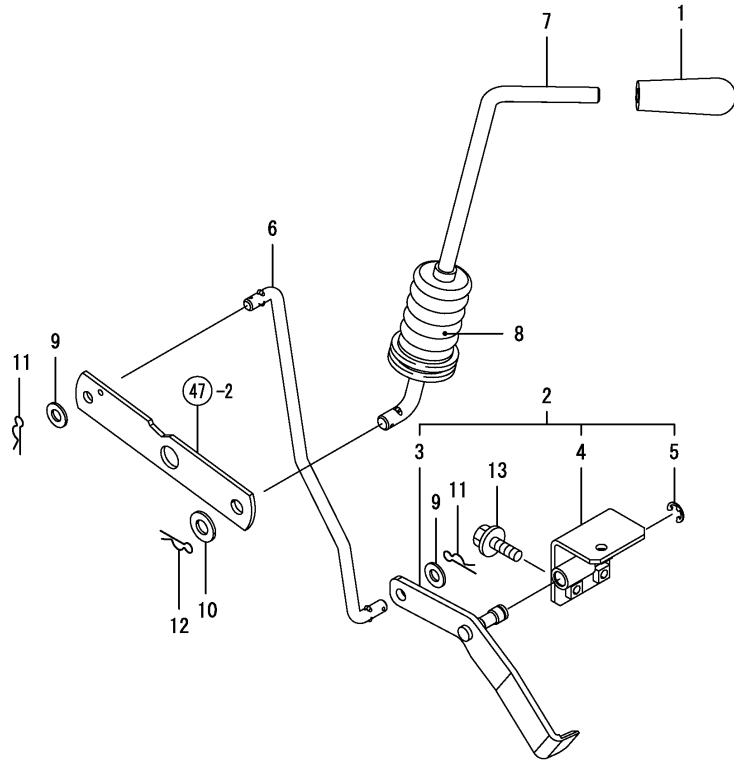
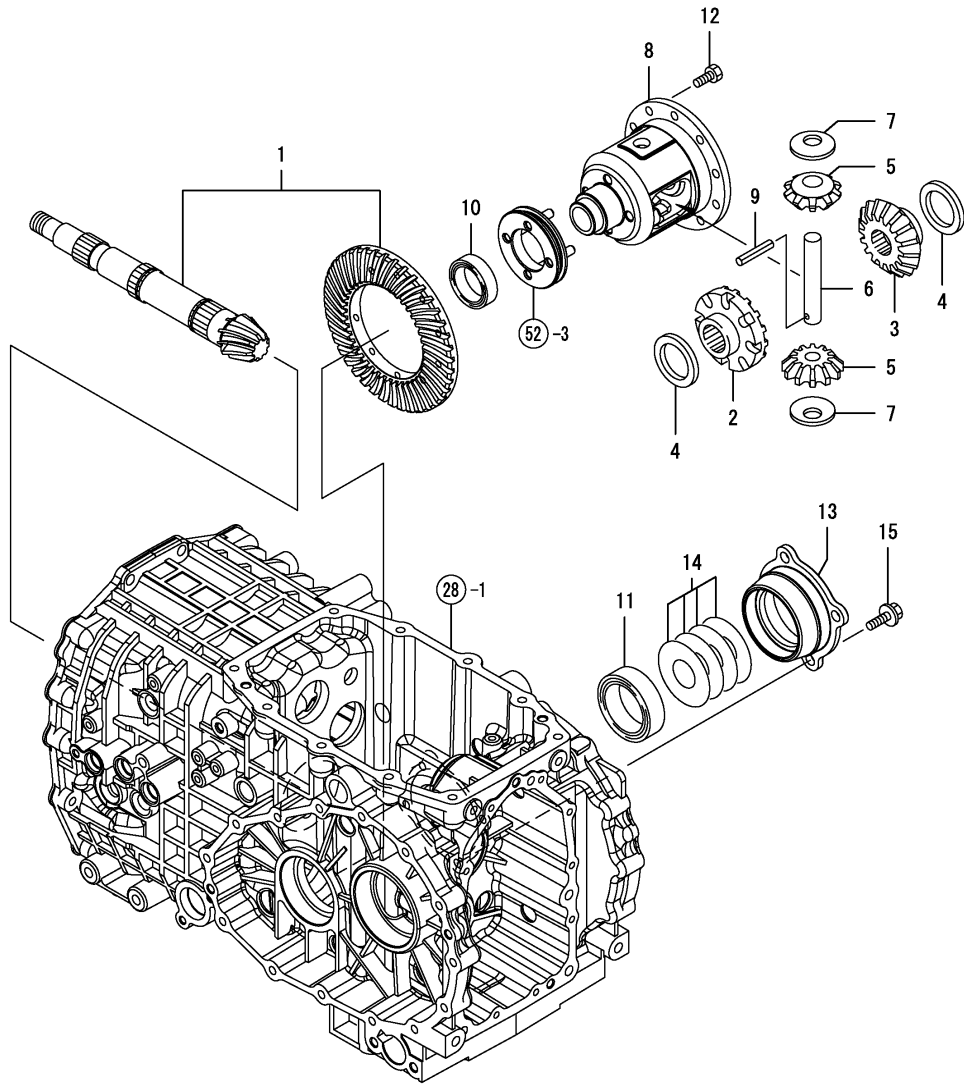


Fig.50. RING GEAR & DIFFERENTIAL GEAR



NPC-4322 50. RING GEAR & DIFFERENTIAL GEAR

(A)=EF227EH (D)=EF235EH
 (B)=EF230EH (E)=
 (C)=EF233EH (F)=

REF.	LEV.	PARTS NO.	DESCRIPTION	QTY						I	R
				(A)	(B)	(C)	(D)	(E)	(F)		
1	1	198280-31400	GEAR ASSY, RING	1	1	1	1				
2	1	198200-31510	GEAR, DIFF. SIDE L	1	1	1	1				
3	1	194525-31520	GEAR R,DIFF.SIDE	1	1	1	1				
4	1	194515-31610	WASHER, DIFFERENTIAL	2	2	2	2				
5	1	198200-31810	PINION, DIFF.	2	2	2	2				
6	1	198200-31820	SHAFT, DIFF. PINION	1	1	1	1				
7	1	194515-31850	WASHER, DIFFERENTIAL	2	2	2	2				
8	1	198200-32110	HOUSING, DIFF.	1	1	1	1				
9	1	22351-040040	SPRING PIN 4X40	1	1	1	1				
10	1	24101-060074	BALL BEARING	1	1	1	1				
11	1	24101-062074	BALL BEARING	1	1	1	1				
12	1	26116-080162	BOLT 8X16	10	10	10	10				
13	1	198200-32320	CARRIER, DIFF.	1	1	1	1				
14	1	194850-32340	SHIM SET	1	1	1	1				
15	1	26106-100252	BOLT M10X 25 PLATED	4	4	4	4				

Fig.51. REAR HOUSING

(A)=EF227EH (D)=EF235EH
 (B)=EF230EH (E)=
 (C)=EF233EH (F)=

REF.	LEV.	PARTS NO.	DESCRIPTION	QTY						I	R
				(A)	(B)	(C)	(D)	(E)	(F)		
1	1	198200-32600	HOUSING ASSY, AXLE	2	2	2	2				
2	2	198290-32750	SEAL TC253506,OIL	2	2	2	2				
3	1	198200-32630	GASKET, REAR AXLE	2	2	2	2				
4	1	198200-32660	GASKET, SEAL HOUSING	2	2	2	2				
5	1	198475-32660	SEAL QLNY527514.5	2	2	2	2				
6	1	198200-32730	HOUSING, SEAL	2	2	2	2				
7	1	22312-080140	PIN 8X14,STRAIGHT	4	4	4	4				
8	1	26106-080402	BOLT M 8X 40 PLATED	8	8	8	8				
9	1	26106-100502	BOLT M10X 50 PLATED	28	28	28	28				

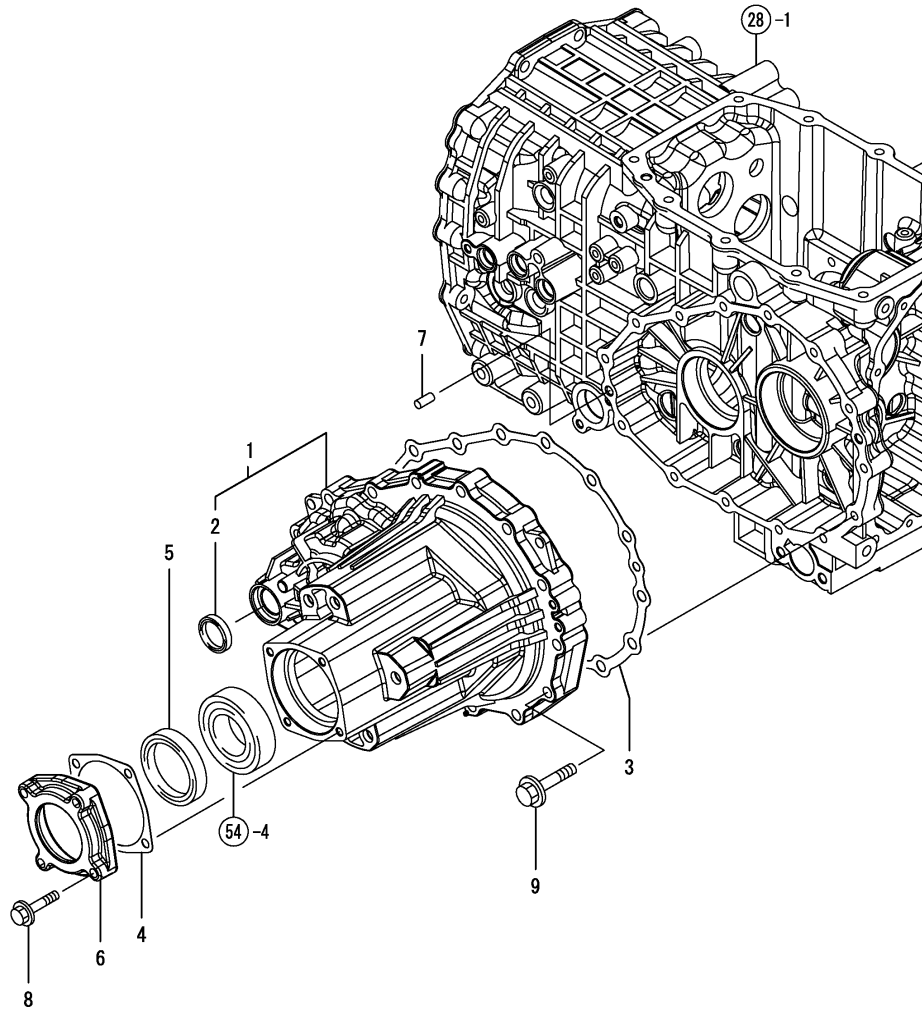
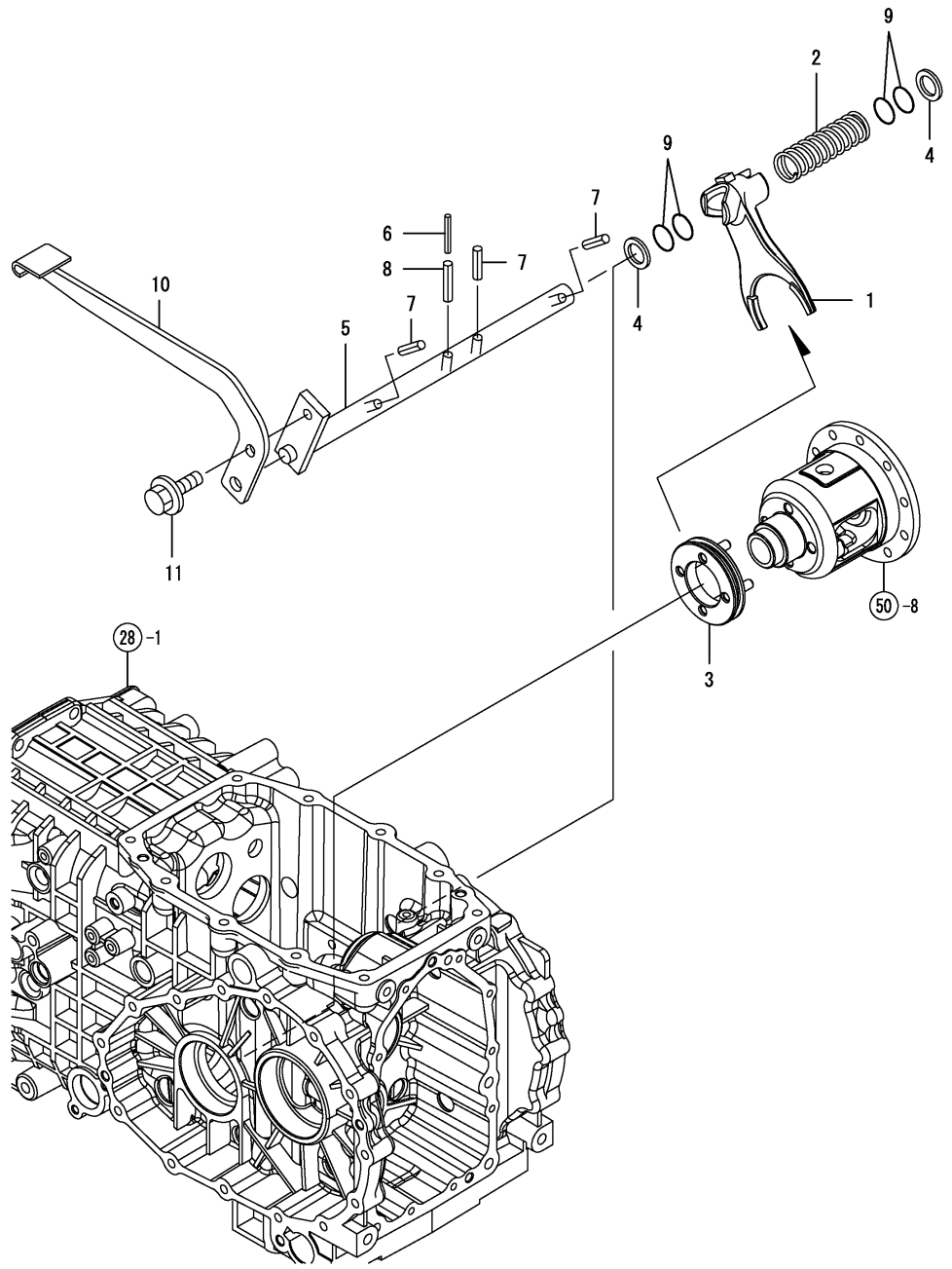


Fig.52. DIFFERENTIAL LOCK

(A)=EF227EH (D)=EF235EH
 (B)=EF230EH (E)=
 (C)=EF233EH (F)=



REF.	LEV.	PARTS NO.	DESCRIPTION	QTY						I	R
				(A)	(B)	(C)	(D)	(E)	(F)		
1	1	198200-33111	FORK, DIFF. LOCK	1	1	1	1				
2	1	194420-33150	SPRING, RETURN	1	1	1	1				
3	1	198200-33150	SLIDER, DIFF. LOCK	1	1	1	1				
4	1	194300-33200	SPACER 20X32X3.2	2	2	2	2				
5	1	198280-33210	SHAFT ASSY, LOCK	1	1	1	1				
6	1	22351-050040	SPRING PIN 5X40	1	1	1	1				
7	1	22351-080032	SPRING PIN 8X32	3	3	3	3				
8	1	22351-080040	SPRING PIN 8X40	1	1	1	1				
9	1	24311-000200	O-RING 1A P-20.0	4	4	4	4				
10	1	198200-33250	PEDAL, DIFF. LOCK	1	1	1	1				
11	1	26106-100202	BOLT M10X 20 PLATED	1	1	1	1				

Fig.53. FINAL PINION & FINAL GEAR

(A)=EF227EH (D)=EF235EH
 (B)=EF230EH (E)=
 (C)=EF233EH (F)=

REF.	LEV.	PARTS NO.	DESCRIPTION	QTY					
				(A)	(B)	(C)	(D)	(E)	(F)
1	1	198200-33410	PINION, FINAL L.H.	1	1	1	1		
2	1	198200-33420	PINION, FINAL R.H.	1	1	1	1		
3	1	24101-063064	BALL BEARING	4	4	4	4		
4	1	198200-33510	GEAR, FINAL	2	2	2	2		

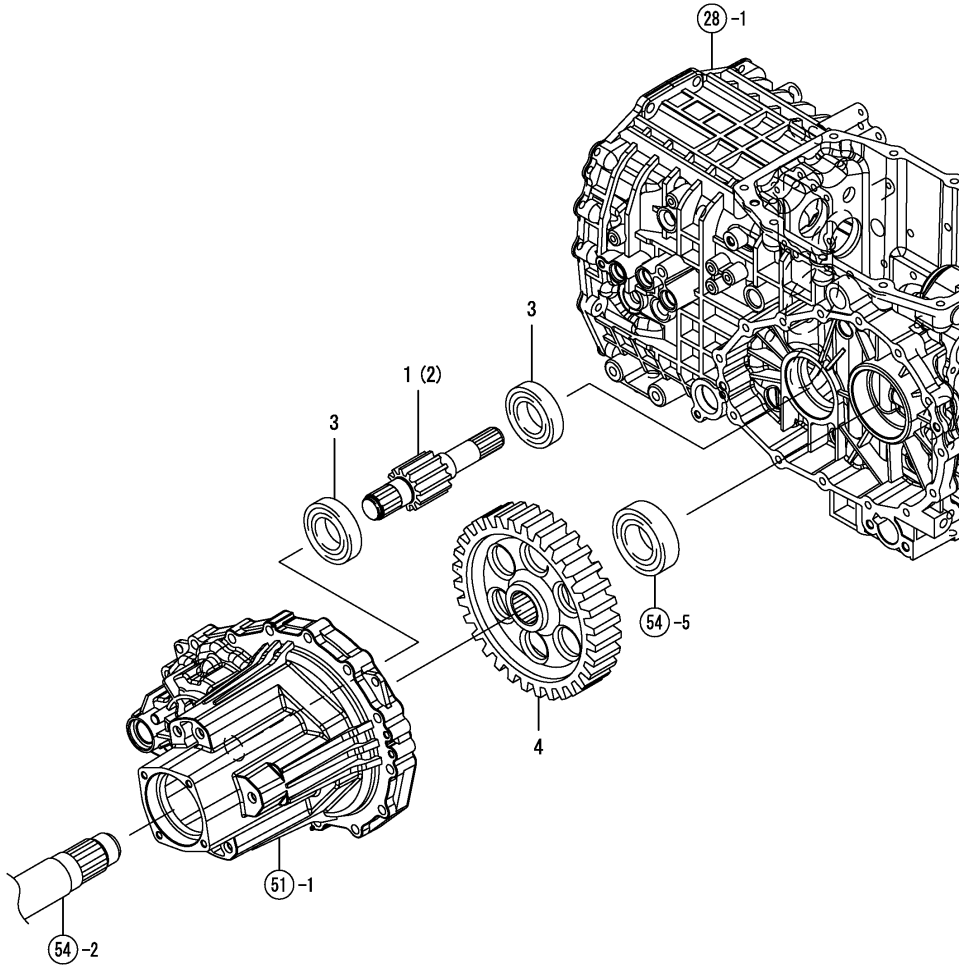
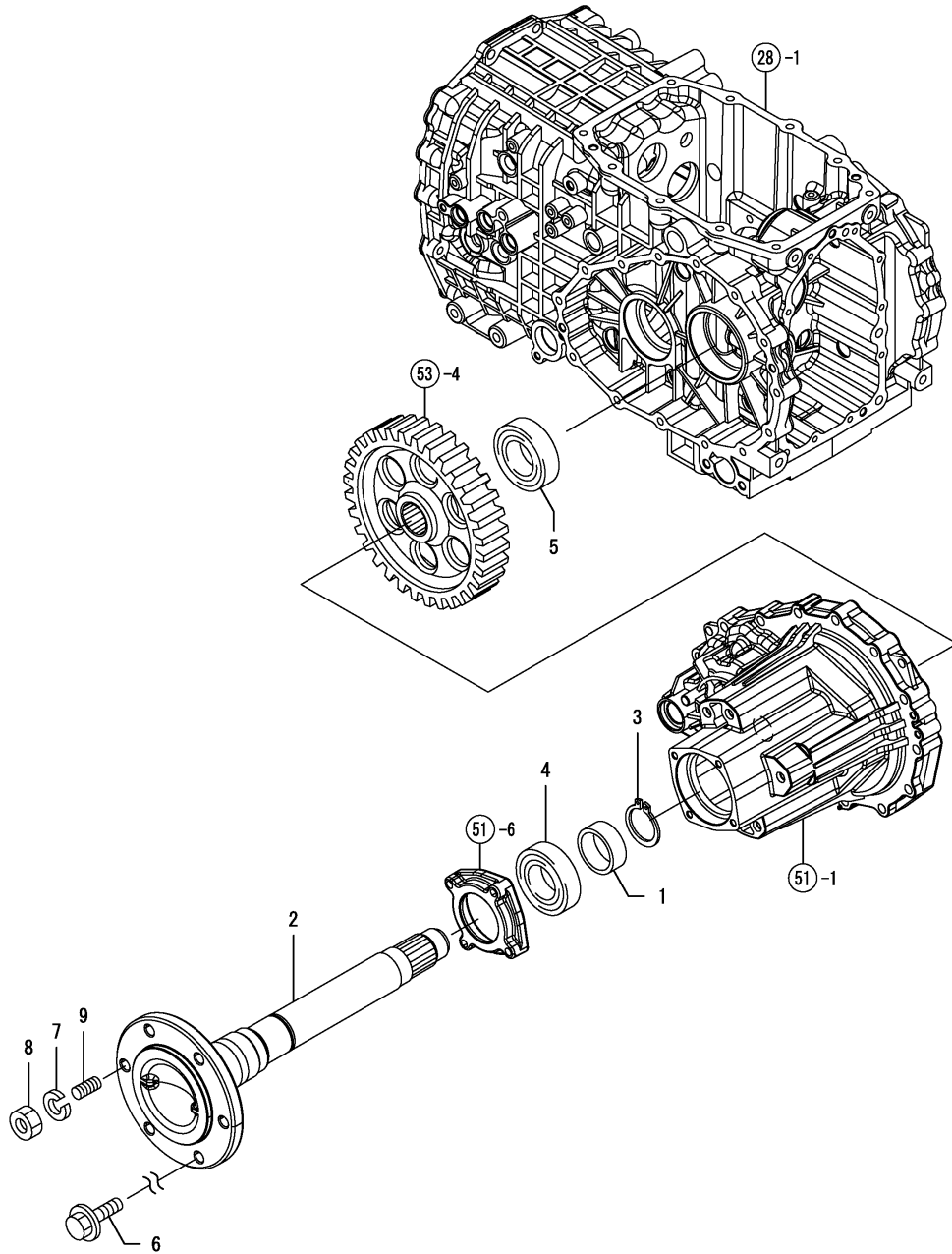


Fig.54. REAR AXLE SHAFT



NPC-4322 54. REAR AXLE SHAFT

(A)=EF227EH (D)=EF235EH
 (B)=EF230EH (E)=
 (C)=EF233EH (F)=

REF.	LEV.	PARTS NO.	DESCRIPTION	QTY							
				(A)	(B)	(C)	(D)	(E)	(F)		
1	1	194440-32580	COLLAR 45X55X20	2	2	2	2				
2	1	198206-34111	SHAFT, REAR AXLE	2	2	2	2				
3	1	198196-34140	STOP RING	2	2	2	2				
4	1	24101-062094	BALL BEARING	2	2	2	2				
5	1	24101-063074	BEARING	2	2	2	2				
6	1	194881-12650	BOLT M14X 24	8	8	8	8				
7	1	194279-14220	WASHER 14	4	4	4	4				
8	1	194450-21980	NUT 14	4	4	4	4				
9	1	198200-34130	STUD BOLT, M14X28	4	4	4	4				

Fig.55. REAR WHEEL TIRE

NPC-4322 55. REAR WHEEL TIRE

(A)=EF227EH (D)=EF235EH
 (B)=EF230EH (E)=
 (C)=EF233EH (F)=

REF.	LEV.	PARTS NO.	DESCRIPTION	QTY						I	R
				(A)	(B)	(C)	(D)	(E)	(F)		
1	1	198280-34720	TIRE, W/WHEEL UNIT	2	2	2	2				
2	2	198200-34741	WHEEL, 16X10LB	2	2	2	2				
3	2	198280-34760	TIRE ASSY, 315/80D16	2	2	2	2				
4	2	194136-12880	VALVE TR413	2	2	2	2				

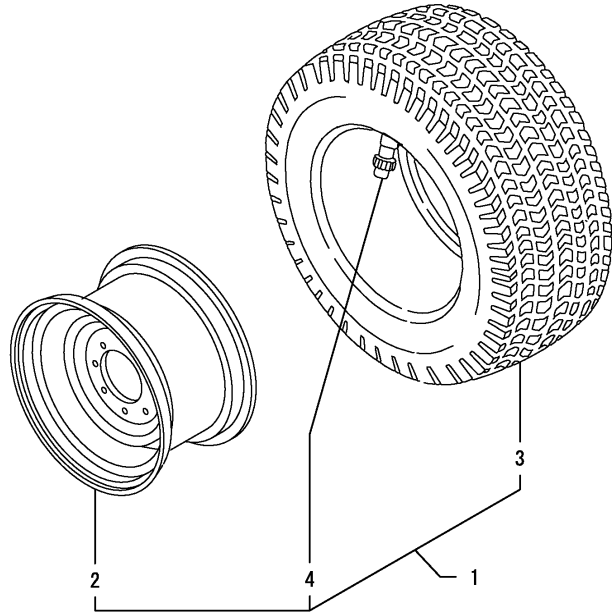
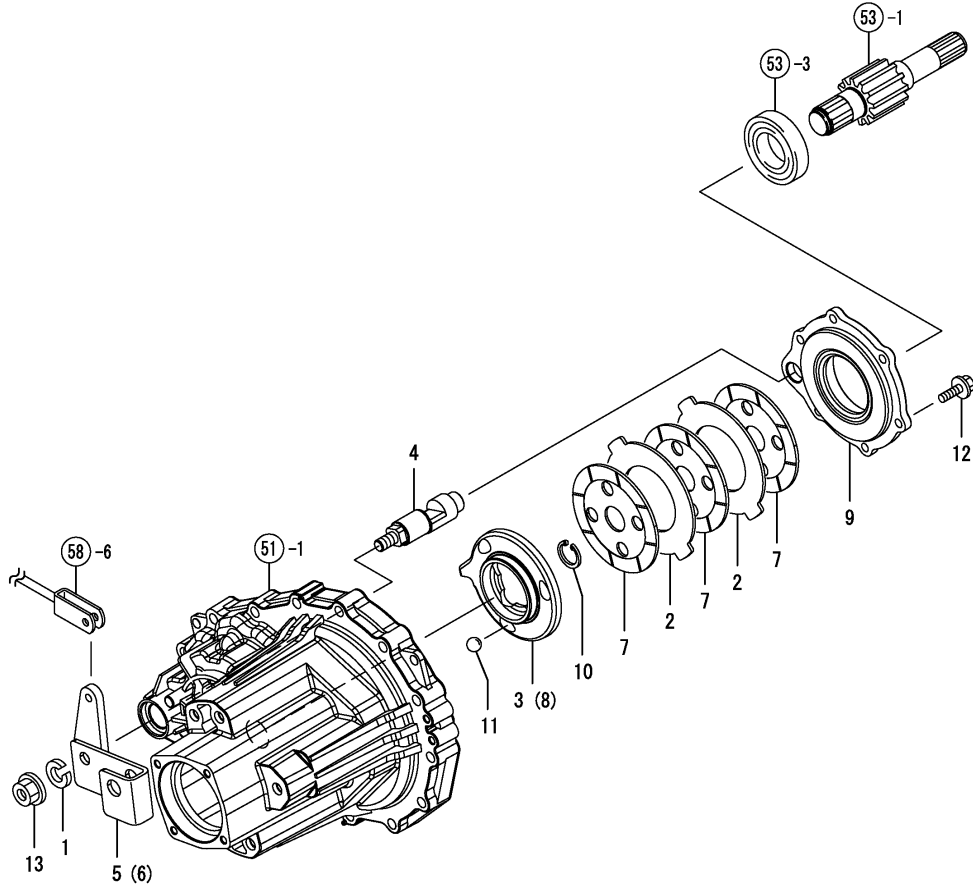


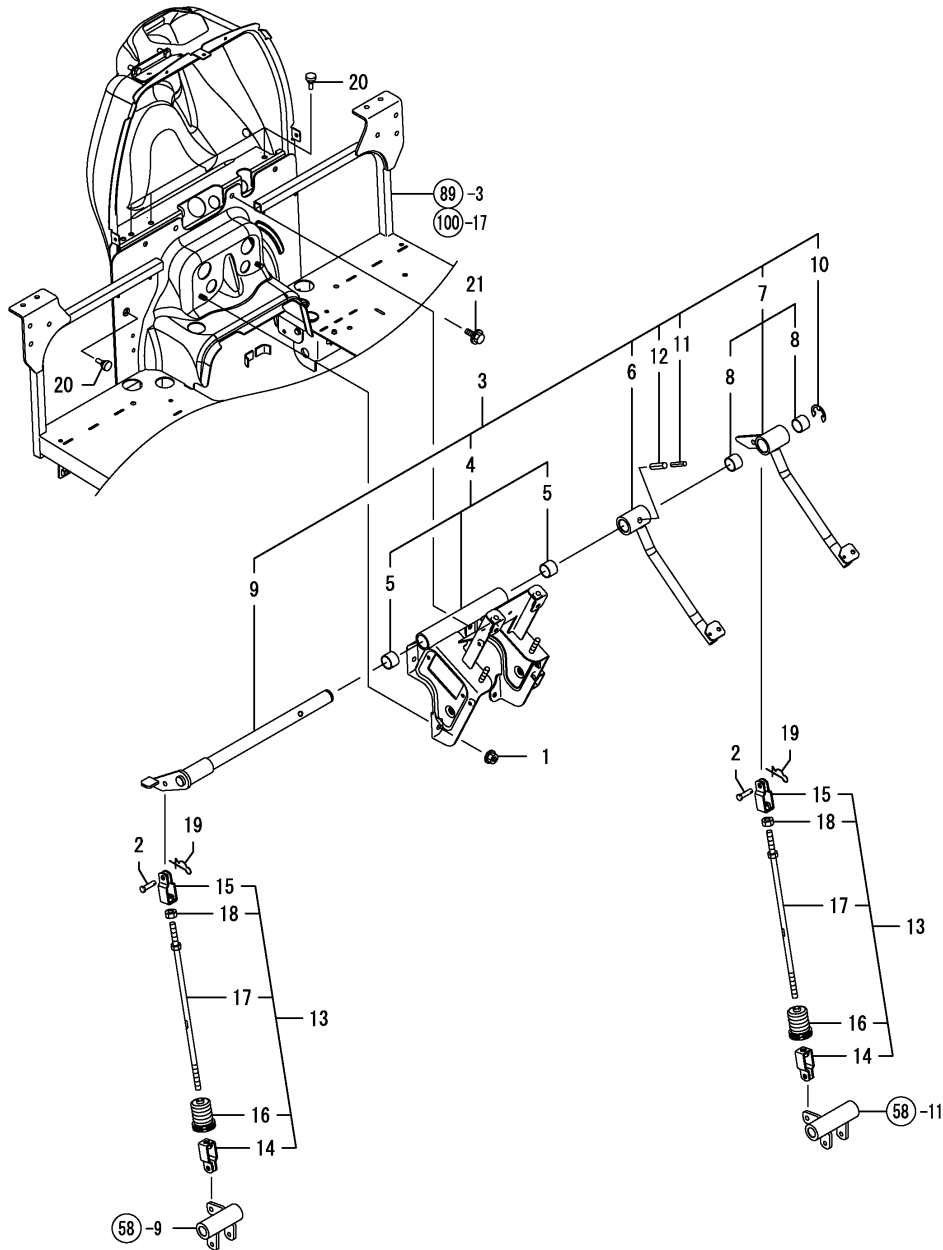
Fig.56. BRAKE

(A)=EF227EH (D)=EF235EH
 (B)=EF230EH (E)=
 (C)=EF233EH (F)=



REF.	LEV.	PARTS NO.	DESCRIPTION	QTY						I	R
				(A)	(B)	(C)	(D)	(E)	(F)		
1	1	194274-13580	SPRING WASHER 12	2	2	2	2				
2	1	1C6560-15071	PLATE STEEL	4	4	4	4				
3	1	198200-36310	ACTUATOR, L.H.	1	1	1	1				
4	1	198200-36340	SHAFT, CAM	2	2	2	2				
5	1	198280-36350	ARM, BRAKE L	1	1	1	1				
6	1	198280-36360	ARM, BRAKE R	1	1	1	1				
7	1	198200-36380	PLATE, FRICTION	6	6	6	6				
8	1	198200-36410	ACTUATOR, R.H.	1	1	1	1				
9	1	198200-36421	HOLDER, BEARING	2	2	2	2				
10	1	22242-000260	CIRCLIP 26	2	2	2	2				
11	1	24190-170001	BALL 17/32	6	6	6	6				
12	1	26106-080252	BOLT M 8X 25 PLATED	12	12	12	12				
13	1	26376-120002	U-NUT M12	2	2	2	2				

Fig.57. PEDAL

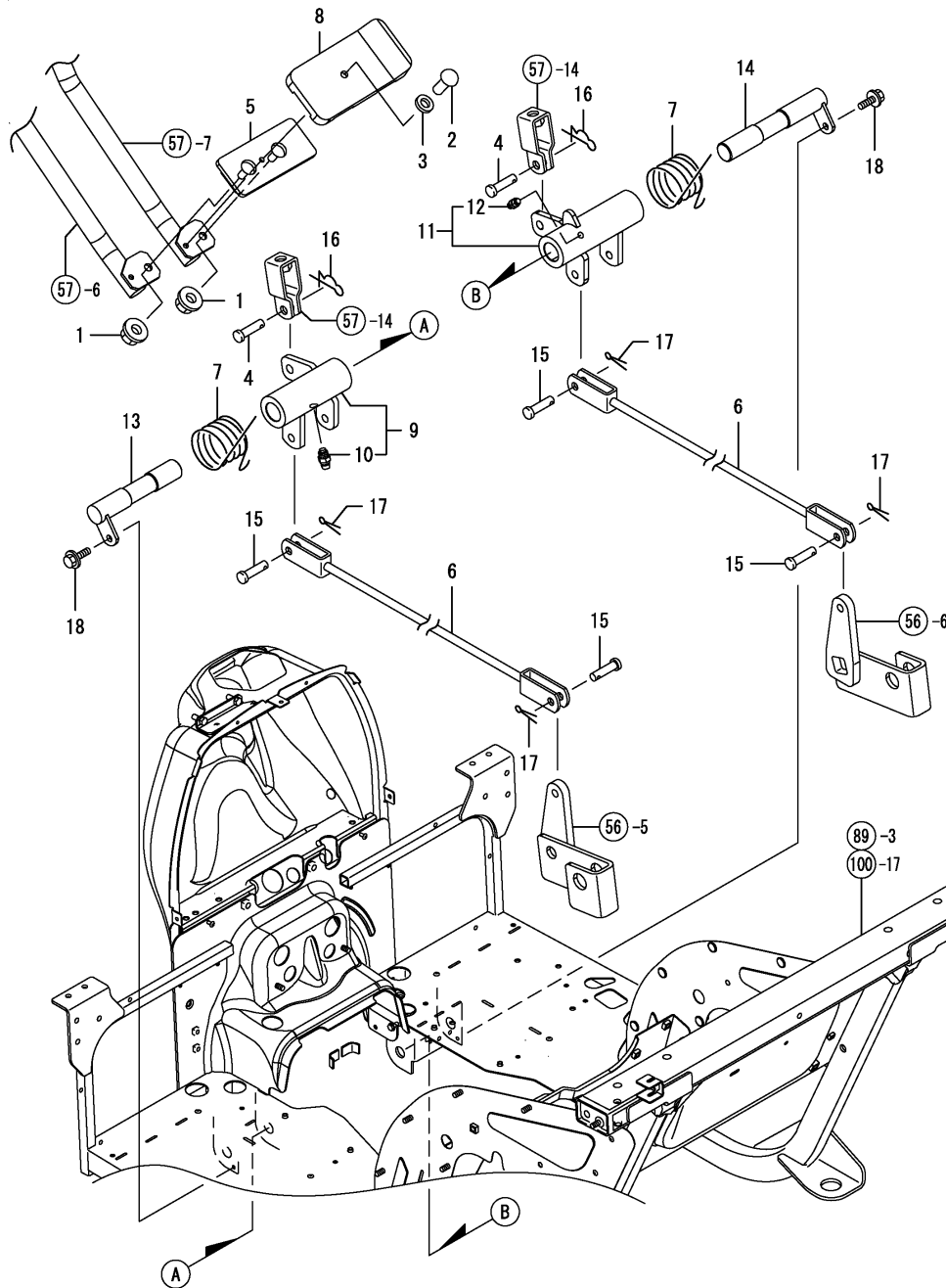


(A)=EF227EH (D)=EF235EH
 (B)=EF230EH (E)=
 (C)=EF233EH (F)=

REF.	LEV.	PARTS NO.	DESCRIPTION	QTY						I	R
				(A)	(B)	(C)	(D)	(E)	(F)		
1	1	194990-22140	NUT W/WASHER 8	2	2	2	2				
2	1	194312-27780	PIN 8.9	2	2	2	2				
3	1	198280-37200	PEDAL UNIT,	1	1	1	1				
4	2	198200-37270	BRACKET UNIT, PEDAL	1	1	1	1				
5	3	198448-37360	BUSH 25X28X20	2	2	2	2				
6	2	198280-37300	PEDAL ASSY, BRAKE L	1	1	1	1				
7	2	198280-37400	PEDAL ASSY, BRAKE R	1	1	1	1				
8	3	198448-37360	BUSH 25X28X20	2	2	2	2				
9	2	198280-37550	SHAFT ASSY, BRAKE	1	1	1	1				
10	2	22272-000190	CIRCLIP E-19	1	1	1	1				
11	2	22351-050045	SPRING PIN 5X45	1	1	1	1				
12	2	22351-080045	SPRING PIN 8X45	1	1	1	1				
13	1	198200-37610	ROD ASSY, BRAKE F	2	2	2	2				
14	2	198310-27370	JOINT,L SCREW FORK	2	2	2	2				
15	2	194312-27770	JOINT	2	2	2	2				
16	2	198448-37450	BOOTS	2	2	2	2				
17	2	198200-37660	ROD ASSY, BRAKE	2	2	2	2				
18	2	26716-100002	NUT 10	2	2	2	2				
19	1	1C6281-52320	PIN 8,COME-OFF SNAP	2	2	2	2				
20	1	194330-62530	STOPPER, PEDAL	4	4	4	4				
21	1	26106-080162	BOLT M 8X 16 PLATED	2	2	2	2				

(A)=EF227EH (D)=EF235EH
 (B)=EF230EH (E)=
 (C)=EF233EH (F)=

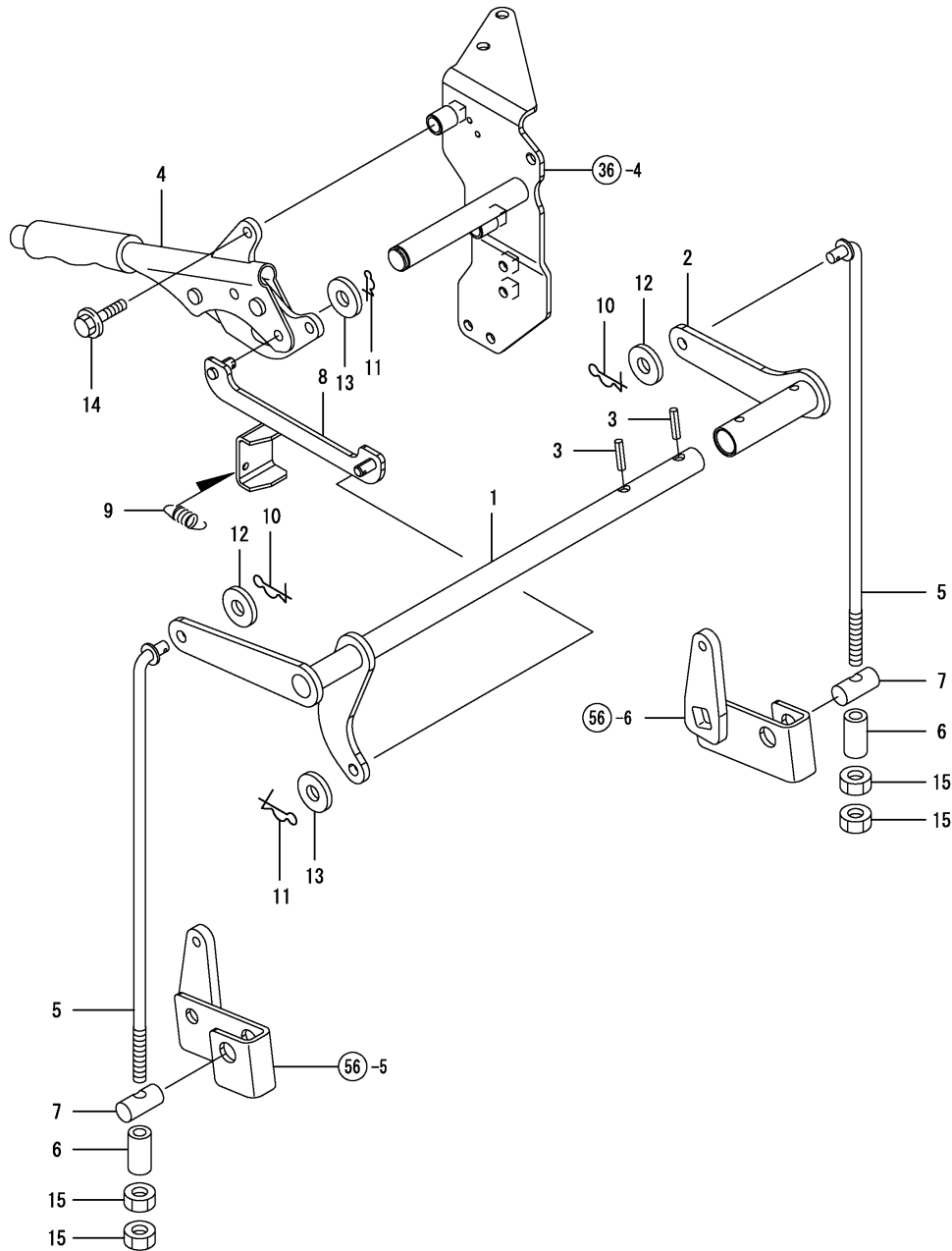
Fig.58. BRAKE LINK



REF.	LEV.	PARTS NO.	DESCRIPTION	QTY						I	R
				(A)	(B)	(C)	(D)	(E)	(F)		
1	1	194990-22130	NUT W/WASHER 6	2	2	2	2				
2	1	198133-22510	RIVET,PEDAL HEAD	1	1	1	1				
3	1	198133-22530	WASHER,RIVET	1	1	1	1				
4	1	194312-27780	PIN 8.9	2	2	2	2				
5	1	198280-37220	HEAD ASSY, PEDAL	1	1	1	1				
6	1	198200-37370	ROD ASSY, BRAKE	2	2	2	2				
7	1	198200-37460	SPRING, BRAKE PEDAL	2	2	2	2				
8	1	198071-37510	COVER,PEDAL HEAD	1	1	1	1				
9	1	198200-37700	ARM ASSY, BRAKE L	1	1	1	1				
10	2	24761-010000	NIPPLE M6F, GREASE	1	1	1	1				
11	1	198280-37710	ARM ASSY, BRAKE R	1	1	1	1				
12	2	24761-010000	NIPPLE M6F, GREASE	1	1	1	1				
13	1	198200-37740	SHAFT ASSY, L	1	1	1	1				
14	1	198200-37840	SHAFT ASSY, R	1	1	1	1				
15	1	198220-37900	PIN 8X24	4	4	4	4				
16	1	1C6281-52320	PIN 8,COME-OFF SNAP	2	2	2	2				
17	1	22417-250300	COTTER PIN 2.5X30	4	4	4	4				
18	1	26106-060122	BOLT M 6X 12 PLATED	2	2	2	2				

Fig.59. PARKING BRAKE

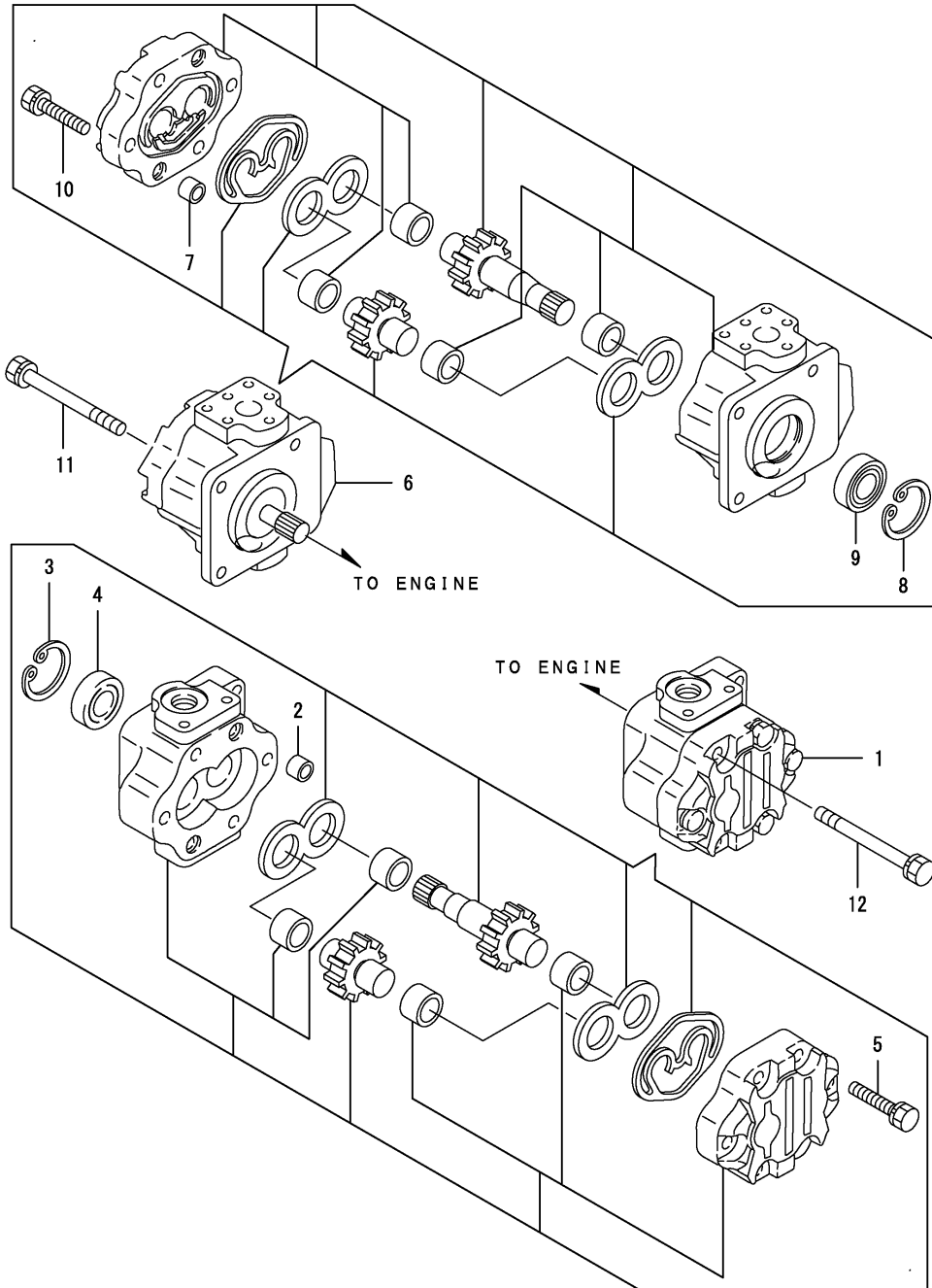
(A)=EF227EH (D)=EF235EH
 (B)=EF230EH (E)=
 (C)=EF233EH (F)=



REF.	LEV.	PARTS NO.	DESCRIPTION	QTY						I	R
				(A)	(B)	(C)	(D)	(E)	(F)		
1	1	198280-38510	ARM, PARKING BRAKE	1	1	1	1				
2	1	198280-38710	ARM, PARKING BRAKE L	1	1	1	1				
3	1	22351-060032	SPRING PIN 6X32	2	2	2	2				
4	1	198448-38400	BRAKE, PARKING	1	1	1	1				
5	1	198280-38810	ROD, PARKING BRAKE A	2	2	2	2				
6	1	198280-38840	PIPE,10.9X17.3X35	2	2	2	2				
7	1	198280-38850	PIN, 17X36	2	2	2	2				
8	1	198280-38910	ROD, PARKING LEVER	1	1	1	1				
9	1	198280-38950	SPRING,BRAKE	1	1	1	1				
10	1	1C6360-65700	SNAP PIN 10	2	2	2	2				
11	1	1C6360-65700	SNAP PIN 10	2	2	2	2				
12	1	22137-100000	WASHER 10,POLISHED	2	2	2	2				
13	1	22137-100000	WASHER 10,POLISHED	2	2	2	2				
14	1	26106-080352	BOLT M 8X 35 PLATED	2	2	2	2				
15	1	26716-100002	NUT 10	4	4	4	4				

Fig.60. HYDRAULIC PUMP

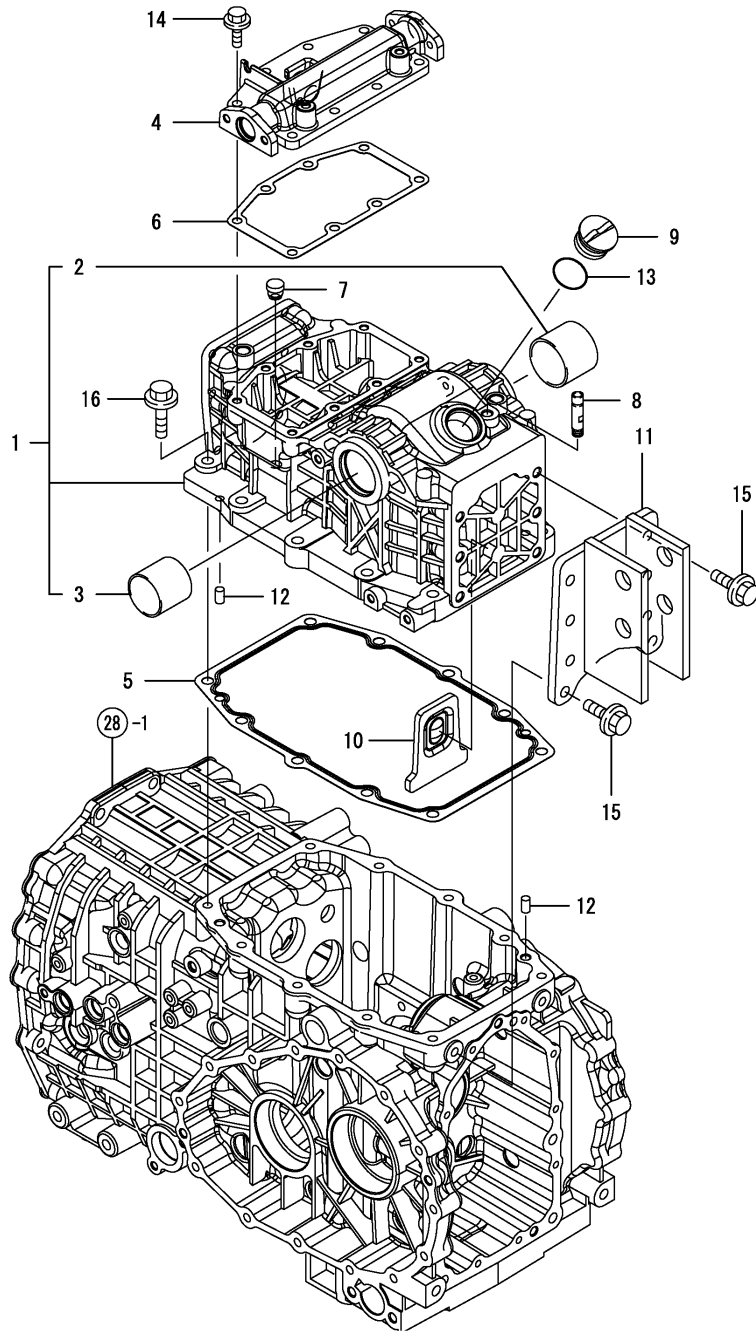
(A)=EF227EH (D)=EF235EH
 (B)=EF230EH (E)=
 (C)=EF233EH (F)=



REF.	LEV.	PARTS NO.	DESCRIPTION	QTY						I	R
				(A)	(B)	(C)	(D)	(E)	(F)		
1	1	198172-41110	PUMP, HYDRAULIC	1	1	1	1				
2	2	194521-41570	PIN 11X7	2	2	2	2				
3	2	22252-000320	CIRCLIP 32	1	1	1	1				
4	2	24421-153207	SEAL TC15 32 07, OIL	1	1	1	1				
5	2	26016-080352	BOLT M 8X 35	4	4	4	4				
6	1	198280-41150	PUMP ASSY, HYD. OIL	1	1	1	1				
7	2	194521-41570	PIN 11X7	2	2	2	2				
8	2	22252-000320	CIRCLIP 32	1	1	1	1				
9	2	24421-153207	SEAL TC15 32 07, OIL	1	1	1	1				
10	2	26016-080352	BOLT M 8X 35	4	4	4	4				
11	1	26013-080802	BOLT M 8X 80	2	2	2	2				
12	1	26013-080802	BOLT M 8X 80	2	2	2	2				

Fig.61. HYDRAULIC CYLINDER CASE

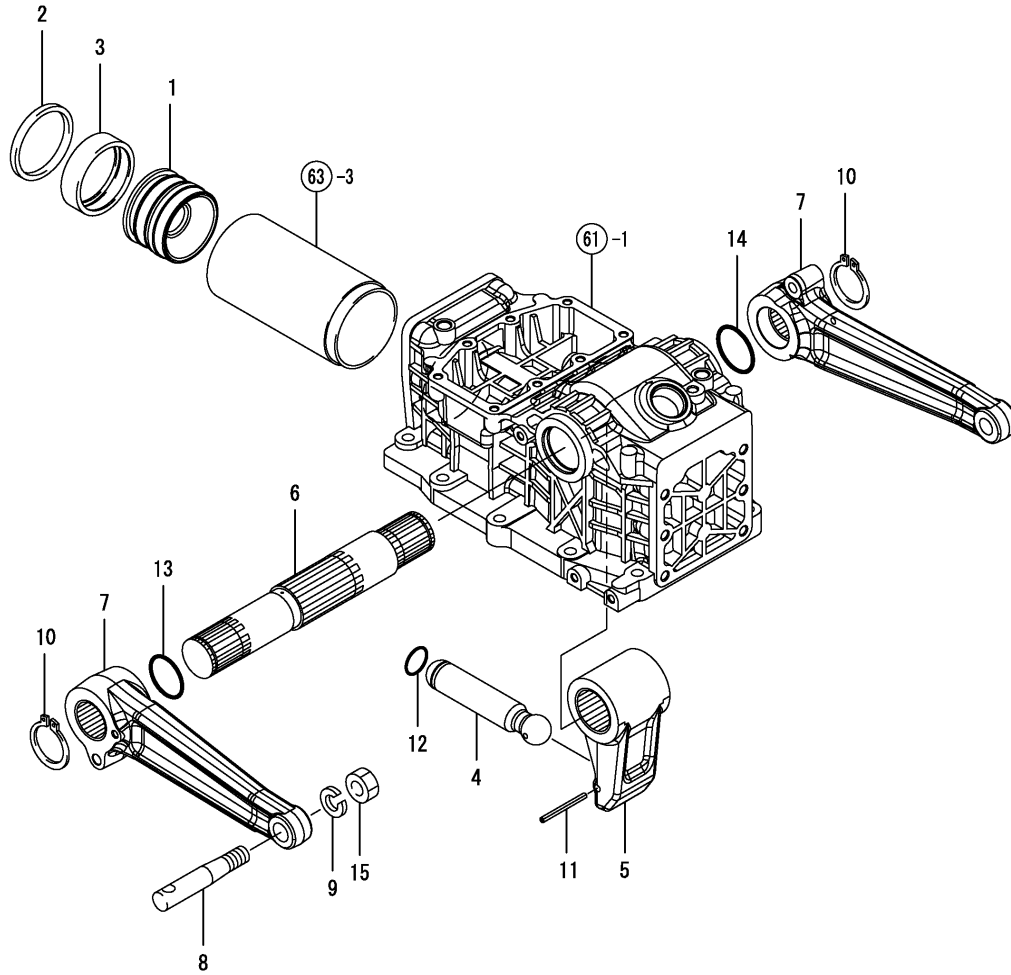
(A)=EF227EH (D)=EF235EH
 (B)=EF230EH (E)=
 (C)=EF233EH (F)=



REF.	LEV.	PARTS NO.	DESCRIPTION	QTY						I	R
				(A)	(B)	(C)	(D)	(E)	(F)		
1	1	198200-42100	HOUSING ASSY,	1	1	1	1				
2	2	198200-42130	BUSH, 45X40	1	1	1	1				
3	2	198200-42140	BUSH, 40X40	1	1	1	1				
4	1	198200-42150	HOUSING, LINK	1	1	1	1				
5	1	198200-42180	GASKET, HOUSING	1	1	1	1				
6	1	198200-42190	GASKET, LINK HOUSING	1	1	1	1				
7	1	198280-42250	PLUG,CASE	1	1	1	1				
8	1	194555-42280	BREATHER	1	1	1	1				
9	1	194850-42500	CAP, OIL 33	1	1	1	1				
10	1	198200-42710	PLATE, STOPPER	1	1	1	1				
11	1	198280-42810	HINGE ASSY, TOP LINK	1	1	1	1				
12	1	22312-080140	PIN 8X14,STRAIGHT	2	2	2	2				
13	1	24351-020300	O-RING 1A 2030	1	1	1	1				
14	1	26106-080252	BOLT M 8X 25 PLATED	8	8	8	8				
15	1	26106-100252	BOLT M10X 25 PLATED	8	8	8	8				
16	1	26106-100402	BOLT M10X 40 PLATED	10	10	10	10				

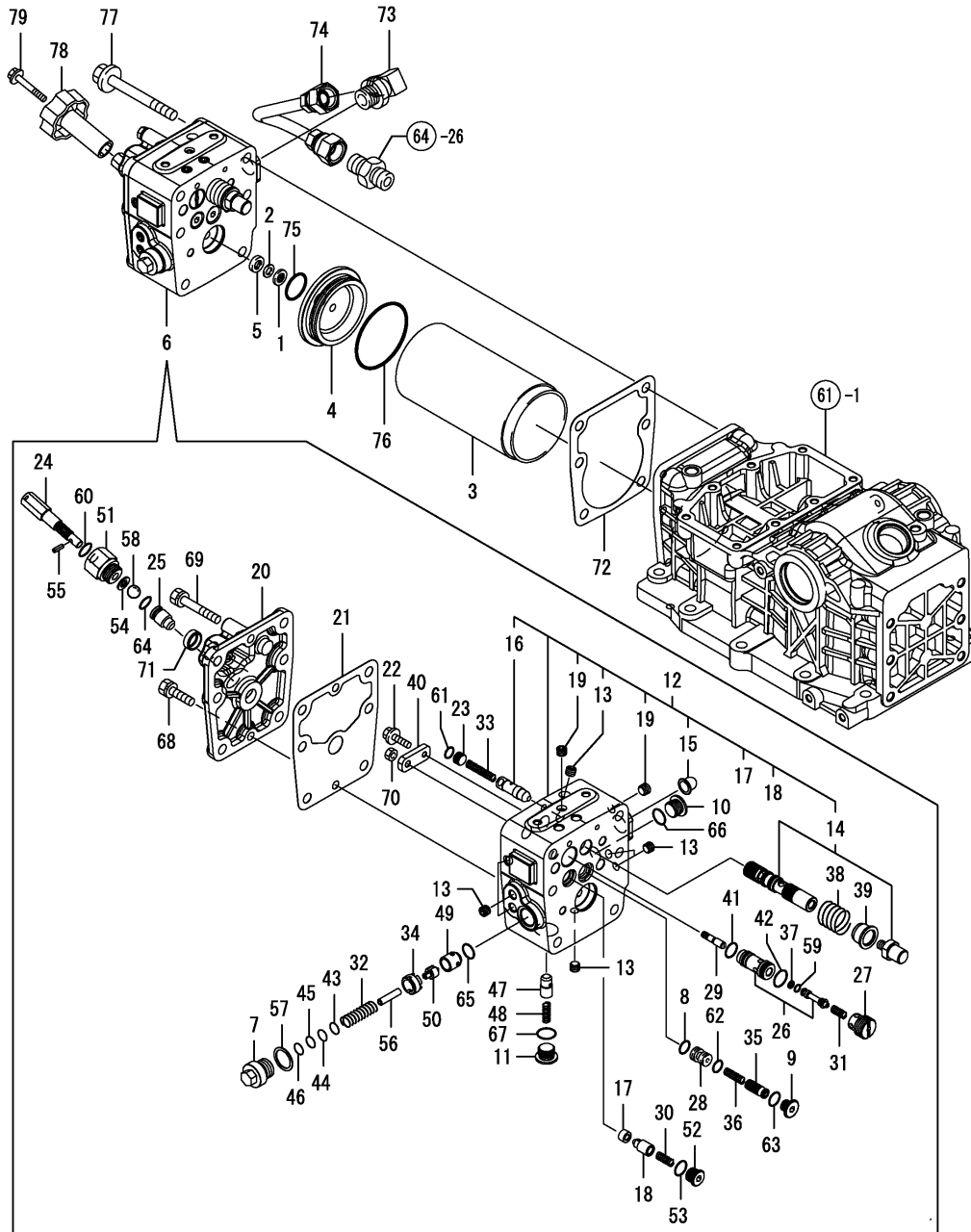
(A)=EF227EH (D)=EF235EH
 (B)=EF230EH (E)=
 (C)=EF233EH (F)=

Fig.62. PISTON & LIFT CRANK



REF.	LEV.	PARTS NO.	DESCRIPTION	QTY						I	R
				(A)	(B)	(C)	(D)	(E)	(F)		
1	1	198200-43310	PISTON, 75	1	1	1	1				
2	1	198071-43320	U-PACKING 75	1	1	1	1				
3	1	198071-43330	RING, WEAR	1	1	1	1				
4	1	198200-43410	ROD, PISTON	1	1	1	1				
5	1	198200-44110	CRANK, LIFT	1	1	1	1				
6	1	198200-44210	SHAFT, LIFT	1	1	1	1				
7	1	198200-44420	ARM, LIFT	2	2	2	2				
8	1	194130-44480	PIN, LIFT ARM	2	2	2	2				
9	1	22217-160000	SPRING WASHER 16	2	2	2	2				
10	1	22242-000400	CIRCLIP 40	2	2	2	2				
11	1	22351-050056	SPRING PIN 5X56	1	1	1	1				
12	1	24311-000260	O-RING 1A P-26.0	1	1	1	1				
13	1	24311-000400	O-RING 1A P-40.0	1	1	1	1				
14	1	24311-000440	O-RING 1A P-44.0	1	1	1	1				
15	1	26736-160002	NUT M16	2	2	2	2				

Fig.63. CONTROL VALVE



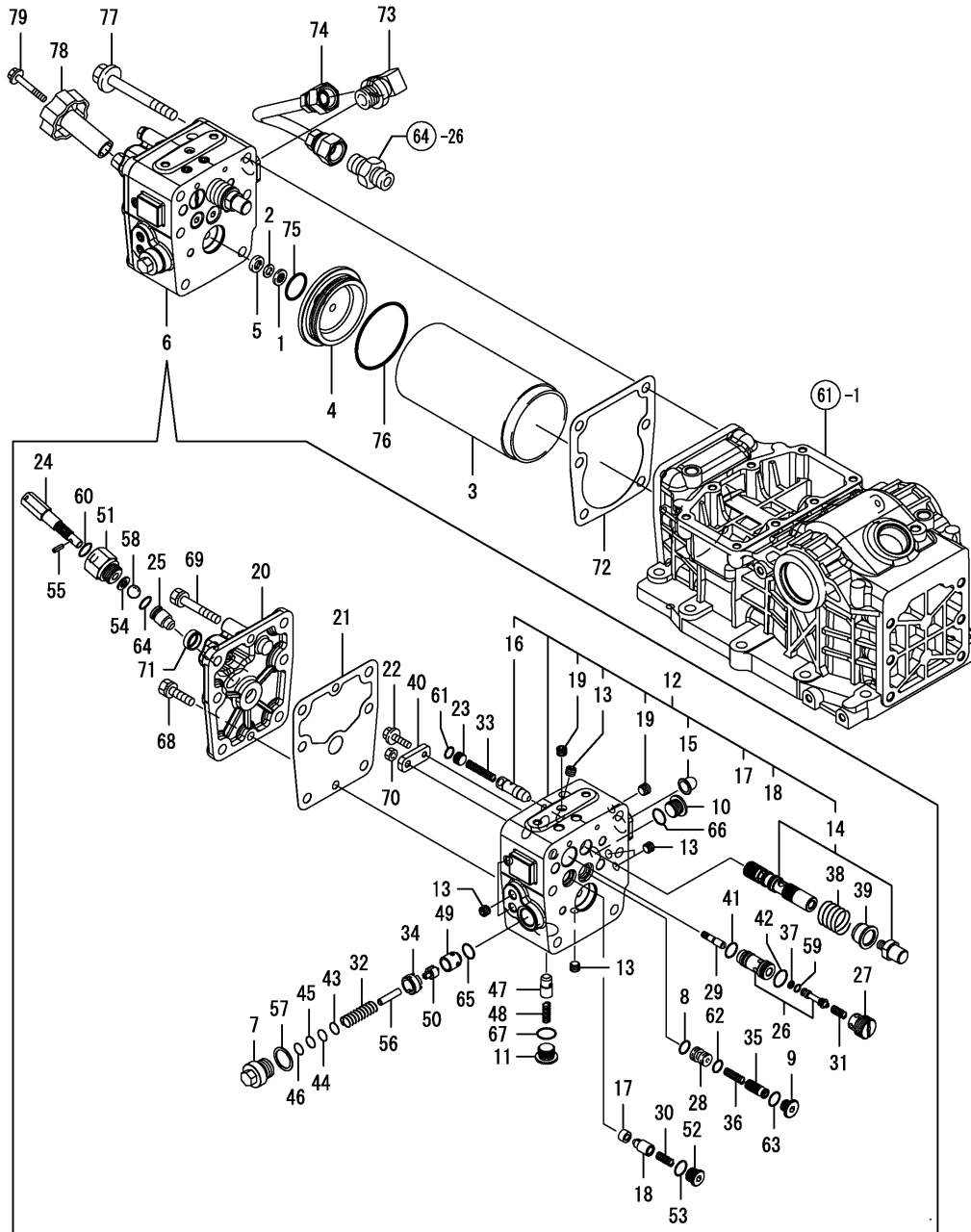
(A)=EF227EH (D)=EF235EH
 (B)=EF230EH (E)=
 (C)=EF233EH (F)=

REF.	LEV.	PARTS NO.	DESCRIPTION	QTY						I	R
				(A)	(B)	(C)	(D)	(E)	(F)		
1	1	194850-42180	STRAINER	1	1	1	1				
2	1	194850-42190	SPACER	1	1	1	1				
3	1	198200-43110	LINER, CYLINDER	1	1	1	1				
4	1	198200-43210	HEAD, CYLINDER	1	1	1	1				
5	1	194630-43230	PACKING	1	1	1	1				
6	1	198200-45100	VALVE ASSY, LIFT	1	1	1	1				
7	2	178076-02230	PLUG, RELIEF VALVE	1	1	1	1				
8	2	178076-04610	PACKING, 1B	1	1	1	1				
9	2	178076-12400	PLUG, G1/4	1	1	1	1				
10	2	1A6750-29850	PLUG	1	1	1	1				
11	2	1A6750-29850	PLUG	1	1	1	1				
12	2	178076-40010	VALVEBODY CMP	1	1	1	1				
13	3	178073-01200	PLUG PT 1/8	7	7	7	7				
14	3	178076-40200	SPOOL ASSY, MAIN	1	1	1	1				
15	3	194556-42220	STRAINER A	1	1	1	1				
16	3	194170-45310	POPPET	1	1	1	1				
17	3	198435-45410	SEAT,L CHECK	1	1	1	1				
18	3	194170-45420	POPPET	1	1	1	1				
19	3	194555-77120	PLUG	2	2	2	2				
20	2	178076-40100	COVER,	1	1	1	1				
21	2	178076-40110	GASKET, COVER	1	1	1	1				
22	2	178076-40250	BOLT, 6 X 16	1	1	1	1				
23	2	178076-40300	PLUG, 12	1	1	1	1				
24	2	178076-40400	BOLT, STOP	1	1	1	1				
25	2	178076-40410	STOP VALVE	1	1	1	1				
26	2	178076-40500	VALVE ASSY, CHECK	1	1	1	1				
27	2	178076-40530	RETAINER, SEAT	1	1	1	1				
28	2	178076-40600	PLUG,	1	1	1	1				
29	2	194170-45220	BAR, PUSH	1	1	1	1				
30	2	194170-45230	SPRING	1	1	1	1				
31	2	194170-45230	SPRING	1	1	1	1				
32	2	194150-45320	SPRING, RELIEF VALVE	1	1	1	1				
33	2	194170-45321	SPRING	1	1	1	1				
34	2	194275-45340	SCREW, VALVE SEAT	1	1	1	1				
35	2	194170-45350	SPOOL	1	1	1	1				
36	2	194170-45360	SPRING	1	1	1	1				
37	2	194170-45430	RING, BACK UP	1	1	1	1				
38	2	194170-45520	SPRING, SPOOL	1	1	1	1				
39	2	194170-45530	STOPPER, SPOOL	1	1	1	1				
40	2	194170-45550	BAR, SPOOL	1	1	1	1				
41	2	194327-45640	O-RING 1BS14	1	1	1	1				
42	2	194327-45650	O-RING 1BS16	1	1	1	1				
43	2	194170-45710	SHIM (T=0.2)	1	1	1	1				
44	2	194170-45720	SHIM (T=0.3)	1	1	1	1				
45	2	194170-45730	SHIM (T=0.5)	1	1	1	1				
46	2	194170-45740	SHIM (T=1.0)	1	1	1	1				
47	2	194310-46350	POPPET, CHECK	1	1	1	1				
48	2	194310-46380	SPRING	1	1	1	1				
49	2	194640-46410	SEAT, SAFETY VALVE	1	1	1	1				
50	2	194640-46420	POPPET, SAFETY VALVE	1	1	1	1				
51	2	194312-46630	HOLDER,VALVE (43)	1	1	1	1				
52	2	198165-48560	PLUG, 9/16	1	1	1	1				
53	2	194850-49290	PACKING 6-1	1	1	1	1				
54	2	22117-080000	WASHER 8	1	1	1	1				

++ CONTINUE ++

(A)=EF227EH (D)=EF235EH
 (B)=EF230EH (E)=
 (C)=EF233EH (F)=

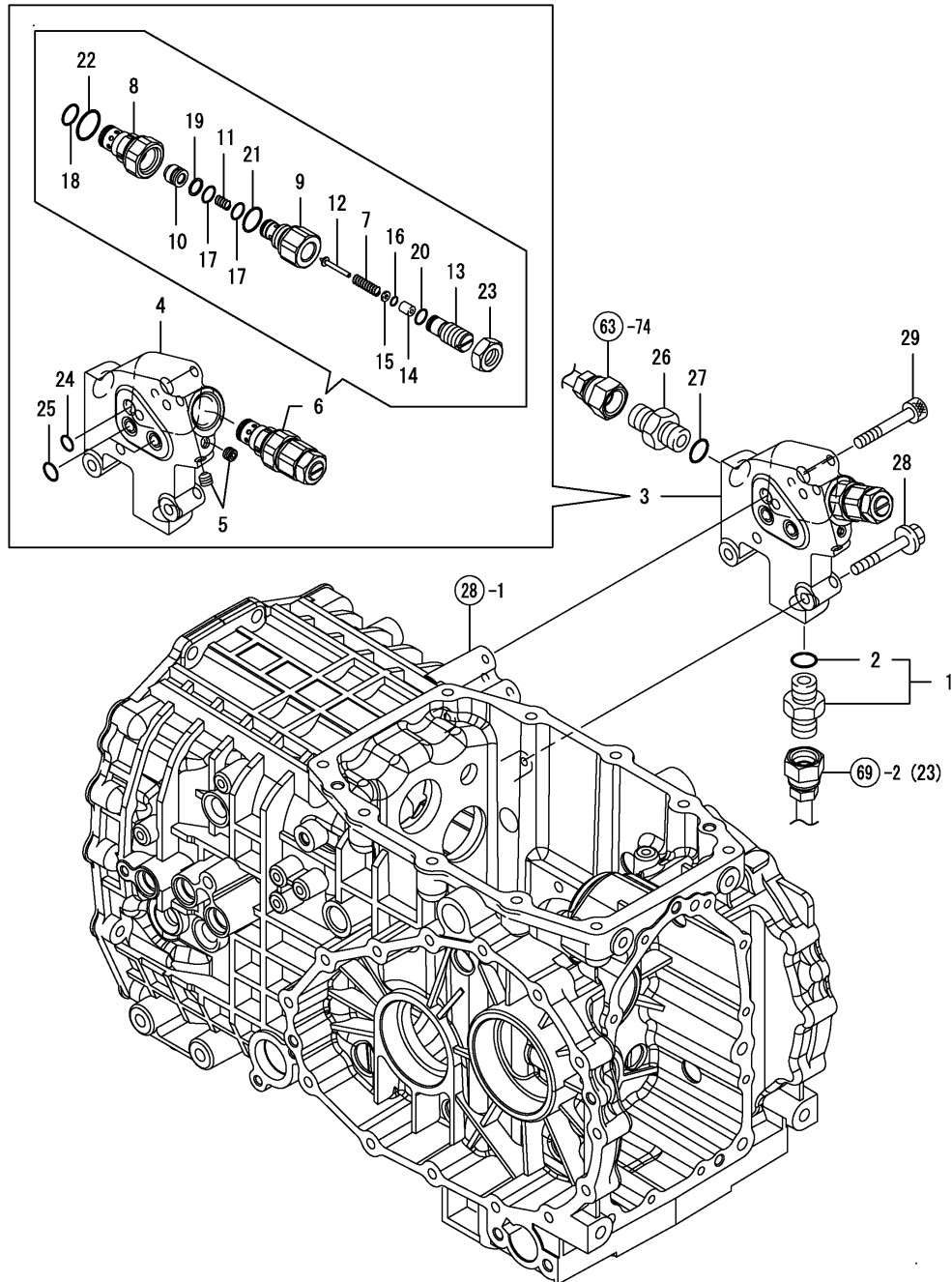
Fig.63. CONTROL VALVE



REF.	LEV.	PARTS NO.	DESCRIPTION	QTY						I	R
				(A)	(B)	(C)	(D)	(E)	(F)		
55	2	22351-040012	SPRING PIN 4X12	1	1	1	1				
56	2	22351-060028	SPRING PIN 6X28	1	1	1	1				
57	2	23414-200026	GASKET 20	1	1	1	1				
58	2	24190-160001	BALL 1/2	1	1	1	1				
59	2	24311-000050	O-RING 1A P-5.0	1	1	1	1				
60	2	24311-000120	O-RING 1A P 12.0	1	1	1	1				
61	2	24315-000090	O-RING 1B P- 9.0	1	1	1	1				
62	2	24315-000090	O-RING 1B P- 9.0	1	1	1	1				
63	2	24315-000110	O-RING 1B P-11.0	1	1	1	1				
64	2	24315-000110	O-RING 1B P-11.0	1	1	1	1				
65	2	24315-000120	O-RING 1B P-12.0	1	1	1	1				
66	2	24315-000140	O-RING 1B P-14.0	1	1	1	1				
67	2	24315-000140	O-RING 1B P-14.0	1	1	1	1				
68	2	26016-080252	BOLT M 8X 25	1	1	1	1				
69	2	26016-080502	BOLT, 8 X 50	1	1	1	1				
70	2	26756-060002	LOCK NUT 6	1	1	1	1				
71	2	27260-200000	PLUG 20,BORE	1	1	1	1				
72	1	198200-45150	GASKET, LIFT VALVE	1	1	1	1				
73	1	194765-46980	ELBOW,PF1/2,WSHR,BS	1	1	1	1				
74	1	198200-48140	LINE ASSY,PRESSURE	1	1	1	1				
75	1	24321-000250	O-RING 1A G-25.0	1	1	1	1				
76	1	24321-000700	O-RING 1A G70.0,NBR	1	1	1	1				
77	1	26106-100902	BOLT M10X 90 PLATED	6	6	6	6				
78	1	1A7260-46640	KNOB, STOP VALVE	1	1	1	1				
79	1	1A7260-46650	BOLT, 6 X 40	1	1	1	1				

(A)=EF227EH (D)=EF235EH
 (B)=EF230EH (E)=
 (C)=EF233EH (F)=

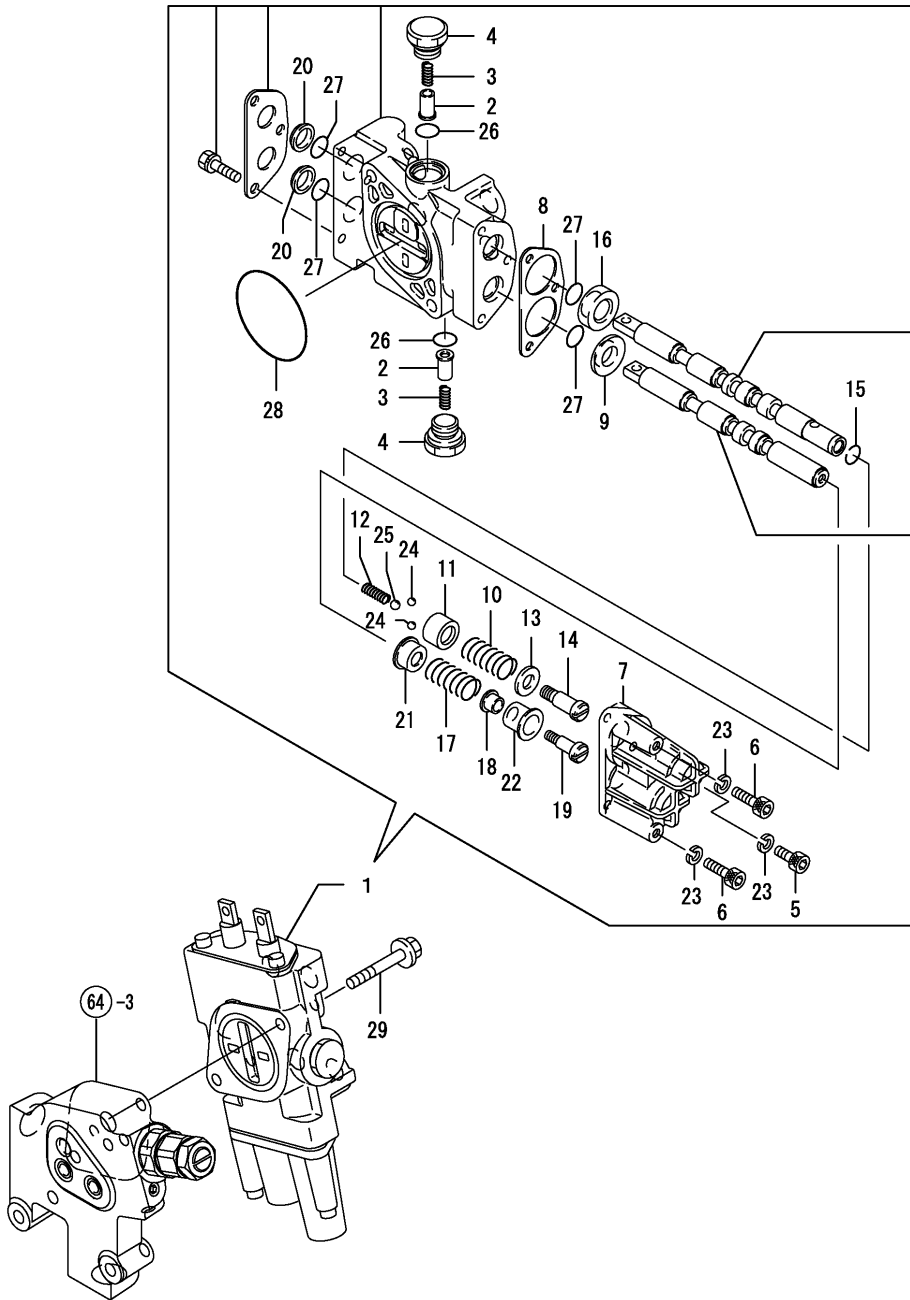
Fig.64. RELIEF VALVE



REF.	LEV.	PARTS NO.	DESCRIPTION	QTY						I	R
				(A)	(B)	(C)	(D)	(E)	(F)		
1	1	198265-48200	ADAPTER ASSY	1	1	1	1				
2	2	24311-000180	O-RING 1A P-18.0	1	1	1	1				
3	1	198280-48500	HOUSING ASSY, VALVE	1	1	1	1				
4	2	1682B4-01020	CASE(RELIEFVALVE	1	1	1	1				
5	2	178073-01200	PLUG PT 1/8	2	2	2	2				
6	2	198200-45510	VALVE ASSY, RELIEF	1	1	1	1				
7	3	178073-04310	SPRING, PILOT	1	1	1	1				
8	3	178076-26100	HOLDER, RELIEF	1	1	1	1				
9	3	178076-26110	HOLDER, RELIEF PILOT	1	1	1	1				
10	3	178076-26120	VALVE, RELIEF	1	1	1	1				
11	3	178076-26130	SPRING,	1	1	1	1				
12	3	178076-26140	VALVE, PILOT	1	1	1	1				
13	3	178076-26160	SCREW, ADJUSTMENT	1	1	1	1				
14	3	178076-26170	GUIDE, RELIEF VALVE	1	1	1	1				
15	3	178076-26180	SPACER,	1	1	1	1				
16	3	178076-26190	PACKING, P 3	1	1	1	1				
17	3	194327-45630	O-RING 1BS12	2	2	2	2				
18	3	194327-45650	O-RING 1BS16	1	1	1	1				
19	3	172510-74530	RING,BACKUP	1	1	1	1				
20	3	24315-000100	O-RING 1B P-10.0	1	1	1	1				
21	3	24315-000180	O-RING 1B P-18.0	1	1	1	1				
22	3	24315-000220	O-RING 1B P-22.0	1	1	1	1				
23	3	26776-160002	LOCK NUT M16 PLATED	1	1	1	1				
24	2	24311-000110	O-RING 1A P-11.0	1	1	1	1				
25	2	24311-000140	O-RING 1A P-14.0	2	2	2	2				
26	1	172112-77360	CONNECTOR, 1/2-PF1/2	1	1	1	1				
27	1	24311-000180	O-RING 1A P-18.0	1	1	1	1				
28	1	26106-080452	BOLT M 8X 45 PLATED	2	2	2	2				
29	1	26450-080402	BOLT 8X40	1	1	1	1				

Fig.65. SUB VALVE

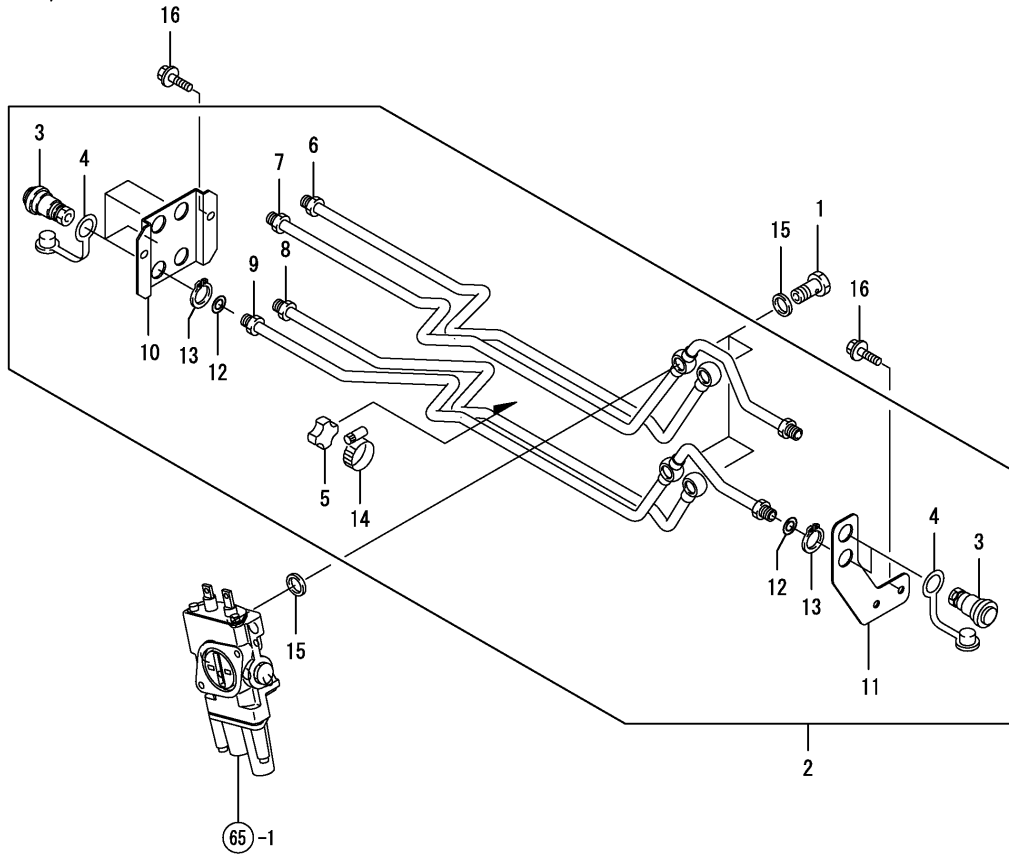
(A)=EF227EH (D)=EF235EH
 (B)=EF230EH (E)=
 (C)=EF233EH (F)=



REF.	LEV.	PARTS NO.	DESCRIPTION	QTY						I	R
				(A)	(B)	(C)	(D)	(E)	(F)		
1	1	198280-46110	SCV ASSY	1	1	1	1				
2	2	198165-46130	VALVE	2	2	2	2				
3	2	198165-46140	SPRING	2	2	2	2				
4	2	198165-46150	PLUG	2	2	2	2				
5	2	1A6780-46160	BOLT M 6X 25	1	1	1	1				
6	2	1A6780-46170	BOLT M 6X 55	2	2	2	2				
7	2	198165-46200	COVER	1	1	1	1				
8	2	198165-46210	GASKET	1	1	1	1				
9	2	198165-46220	JOINT	1	1	1	1				
10	2	198165-46310	SPRING	1	1	1	1				
11	2	198165-46320	HOLDER	1	1	1	1				
12	2	198165-46330	SPRING	1	1	1	1				
13	2	198165-46340	HOLDER	1	1	1	1				
14	2	198165-46350	BOLT	1	1	1	1				
15	2	198165-46360	RINK	1	1	1	1				
16	2	198165-46370	DETENT	1	1	1	1				
17	2	198165-46410	SPRING	1	1	1	1				
18	2	198165-46420	STOP	1	1	1	1				
19	2	198165-46450	BOLT	1	1	1	1				
20	2	172510-74410	SEAL, DUST	2	2	2	2				
21	2	172510-74440	RETAINER(A),SPRING	1	1	1	1				
22	2	172510-74450	RETAINER (B)	1	1	1	1				
23	2	22287-060000	WASHER 6	3	3	3	3				
24	2	24190-070001	BALL 7/32	2	2	2	2				
25	2	24190-080001	BALL 1/4, STEEL	1	1	1	1				
26	2	24311-000140	O-RING 1A P-14.0	2	2	2	2				
27	2	24311-000140	O-RING 1A P-14.0	4	4	4	4				
28	2	24321-000500	O-RING 1A G-50.0	1	1	1	1				
29	1	26106-080402	BOLT M 8X 40 PLATED	2	2	2	2				

(A)=EF227EH (D)=EF235EH
 (B)=EF230EH (E)=
 (C)=EF233EH (F)=

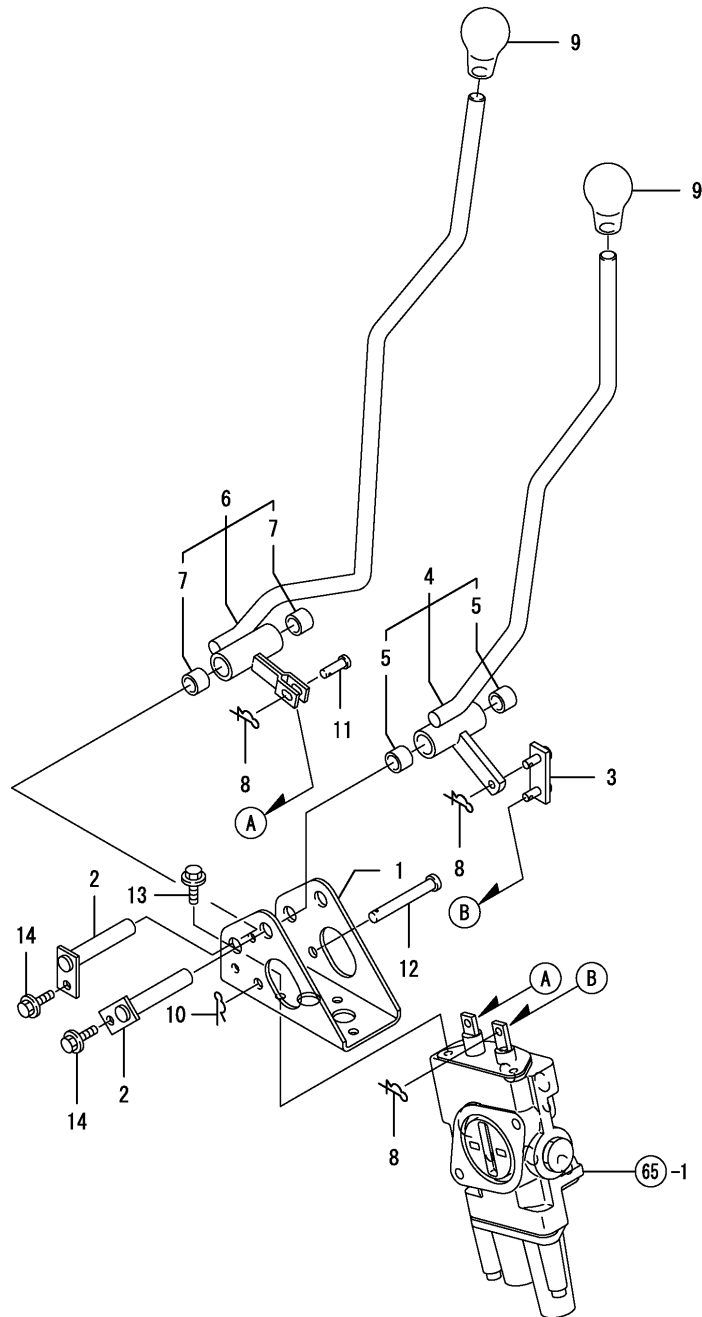
Fig.66. S.C.V. PIPING



REF.	LEV.	PARTS NO.	DESCRIPTION	QTY						I	R
				(A)	(B)	(C)	(D)	(E)	(F)		
1	1	194321-17870	BOLT 10, PIPE JOINT	4	4	4	4				
2	1	198280-46500	PIPE UNIT,SCV	1	1	1	1				
3	2	198223-46250	HYD.QUICK COUPLER	6	6	6	6				
4	2	198223-46280	DUST PLUG	6	6	6	6				
5	2	198220-46500	CLAMP	1	1	1	1				
6	2	198280-46510	LINE ASSY,SCV-A1	1	1	1	1				
7	2	198280-46560	LINE ASSY,SCV-A2	1	1	1	1				
8	2	198280-46610	LINE ASSY,SCV-B1	1	1	1	1				
9	2	198280-46660	LINE ASSY,SCV-B2	1	1	1	1				
10	2	198280-46710	STAY	1	1	1	1				
11	2	198280-46750	STAY	1	1	1	1				
12	2	194850-49290	PACKING 6-1	6	6	6	6				
13	2	22242-000220	CIRCLIP 22	6	6	6	6				
14	2	23000-035000	CLAMP 35	1	1	1	1				
15	1	23414-160021	GASKET 16	8	8	8	8				
16	1	26106-080122	BOLT M 8X 12 PLATED	4	4	4	4				

Fig.67. S.C.V. CONTROL

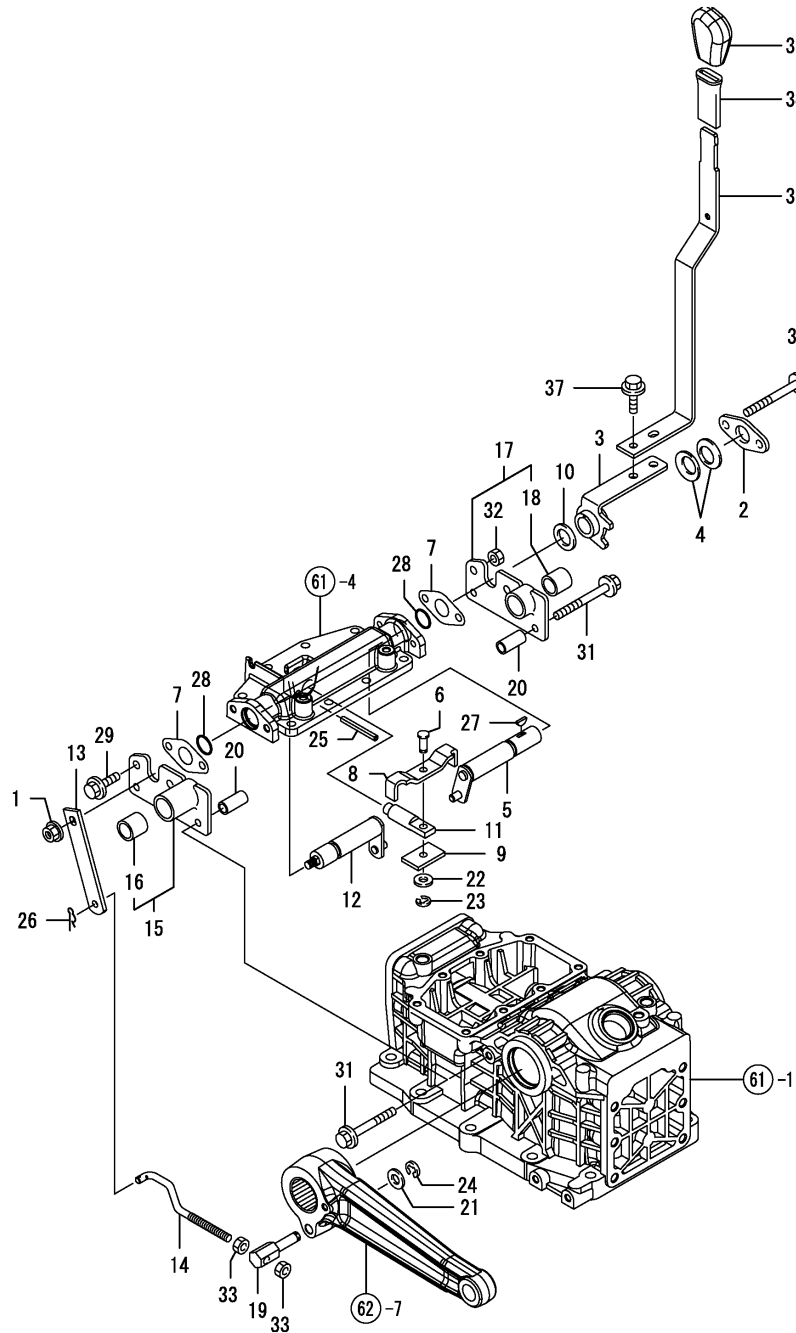
(A)=EF227EH (D)=EF235EH
 (B)=EF230EH (E)=
 (C)=EF233EH (F)=



REF.	LEV.	PARTS NO.	DESCRIPTION	QTY						I	R
				(A)	(B)	(C)	(D)	(E)	(F)		
1	1	198280-46810	BRACKET ASSY,LEVER	1	1	1	1				
2	1	198280-46870	PIN ASSY,HINGE	2	2	2	2				
3	1	198133-46890	LINK,SCV LEVER	1	1	1	1				
4	1	198280-46910	LEVER ASSY,SCV1	1	1	1	1				
5	2	24550-012100	BUSH 12X10	2	2	2	2				
6	1	198280-46940	LEVER ASSY,SCV2	1	1	1	1				
7	2	24550-012100	BUSH 12X10	2	2	2	2				
8	1	1C6281-52310	PIN 6,COME-OFF SNAP	3	3	3	3				
9	1	194990-85561	KNOB	2	2	2	2				
10	1	22372-080000	SNAP PIN (JASO 8)	1	1	1	1				
11	1	22486-060160	PIN 6X 16	1	1	1	1				
12	1	22486-080600	PIN 8X60	1	1	1	1				
13	1	26106-060122	BOLT M 6X 12 PLATED	3	3	3	3				
14	1	26106-060122	BOLT M 6X 12 PLATED	2	2	2	2				

(A)=EF227EH (D)=EF235EH
 (B)=EF230EH (E)=
 (C)=EF233EH (F)=

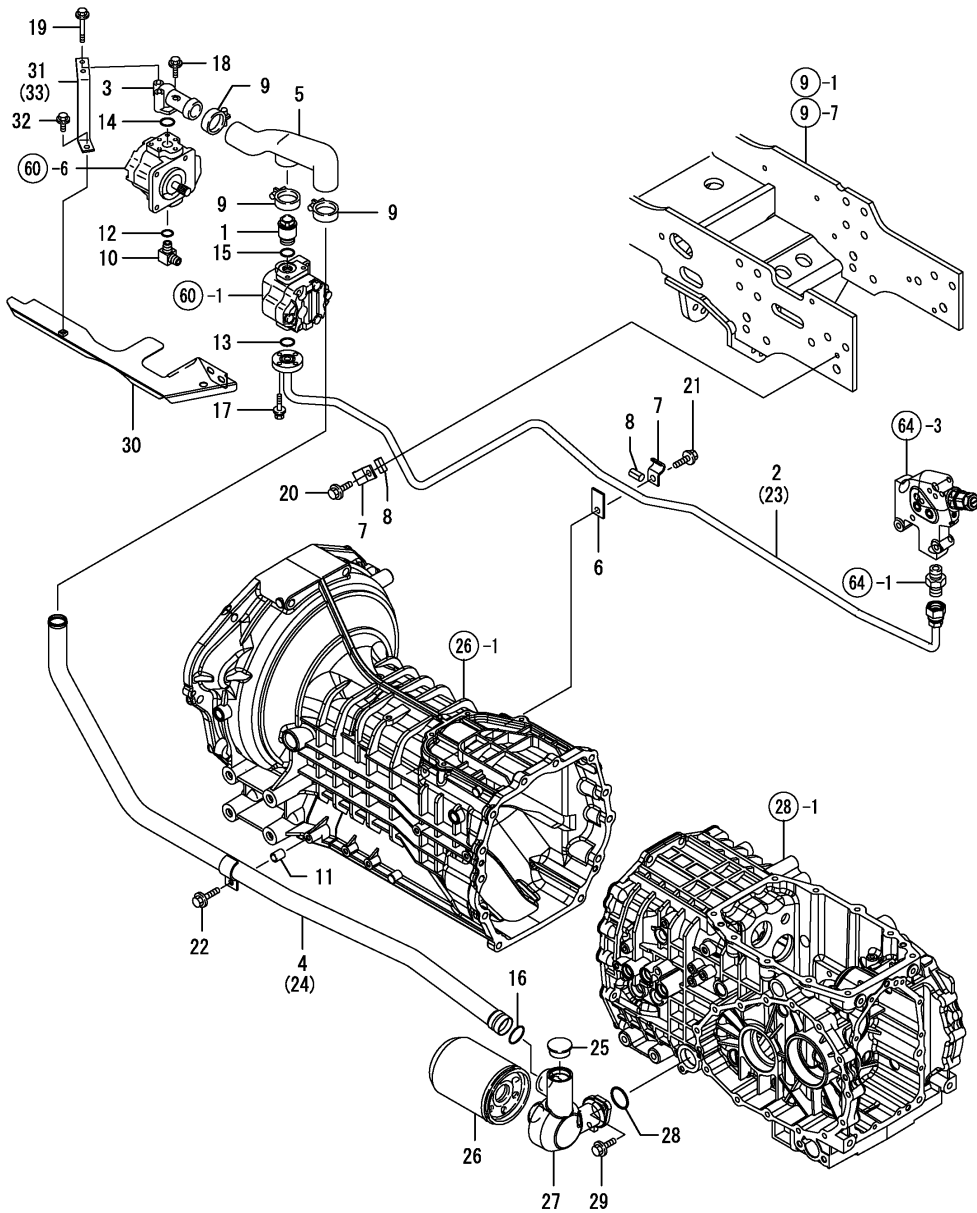
Fig.68. HYDRAULIC CONTROL



REF.	LEV.	PARTS NO.	DESCRIPTION	QTY						I	R
				(A)	(B)	(C)	(D)	(E)	(F)		
1	1	194990-22050	NUT W/WASHER 8	1	1	1	1				
2	1	194940-47210	PLATE	1	1	1	1				
3	1	198280-47210	ARM, P LEVER	1	1	1	1				
4	1	194940-47220	WASHER 20, SPRING	2	2	2	2				
5	1	198280-47310	SHAFT, P LEVER	1	1	1	1				
6	1	198431-47340	PIN, CONTROL	1	1	1	1				
7	1	194555-47350	PLATE	2	2	2	2				
8	1	198200-47411	LINK, P CONTROL	1	1	1	1				
9	1	198280-47430	PLATE	1	1	1	1				
10	1	194170-47440	PLATE, FRICTION	1	1	1	1				
11	1	198200-47460	ROD, CONTROL	1	1	1	1				
12	1	198280-47500	SHAFT, P FEEDBACK	1	1	1	1				
13	1	198200-47510	ARM, P FEEDBACK	1	1	1	1				
14	1	198280-47540	ROD, P FEEDBACK	1	1	1	1				
15	1	198280-47550	STAY ASSY, P BRAKE	1	1	1	1				
16	2	24550-020200	BUSH 20X20, DRY	1	1	1	1				
17	1	198280-47580	STAY ASSY, P BRAKE	1	1	1	1				
18	2	24550-020200	BUSH 20X20, DRY	1	1	1	1				
19	1	198200-47650	PIN, ADJUSTMENT	1	1	1	1				
20	1	1C6280-62240	COLLAR 9.2X13.8X30	2	2	2	2				
21	1	22117-100000	WASHER 10	1	1	1	1				
22	1	22137-080000	WASHER 8, POLISHED	1	1	1	1				
23	1	22272-000060	CIRCLIP E- 6	1	1	1	1				
24	1	22272-000080	CIRCLIP E- 8	1	1	1	1				
25	1	22351-060050	SPRING PIN 6X50	1	1	1	1				
26	1	22372-080000	SNAP PIN (JASO 8)	1	1	1	1				
27	1	22522-030130	WOODRUFF KEY 3X13	1	1	1	1				
28	1	24311-000200	O-RING 1A P-20.0	2	2	2	2				
29	1	26106-080162	BOLT M 8X 16 PLATED	2	2	2	2				
30	1	26106-080502	BOLT M 8X 50 PLATED	2	2	2	2				
31	1	26106-080502	BOLT M 8X 50 PLATED	2	2	2	2				
32	1	26716-080002	NUT M 8	2	2	2	2				
33	1	26716-080002	NUT M 8	2	2	2	2				
34	1	198072-27880	BOOT, SHAFT	1	1	1	1				
35	1	198200-47110	LEVER, POSITION	1	1	1	1				
36	1	198200-47810	KNOB, BLACK	1	1	1	1				
37	1	26106-080162	BOLT M 8X 16 PLATED	2	2	2	2				

(A)=EF227EH (D)=EF235EH
 (B)=EF230EH (E)=
 (C)=EF233EH (F)=

Fig.69. HYDRAULIC PIPING

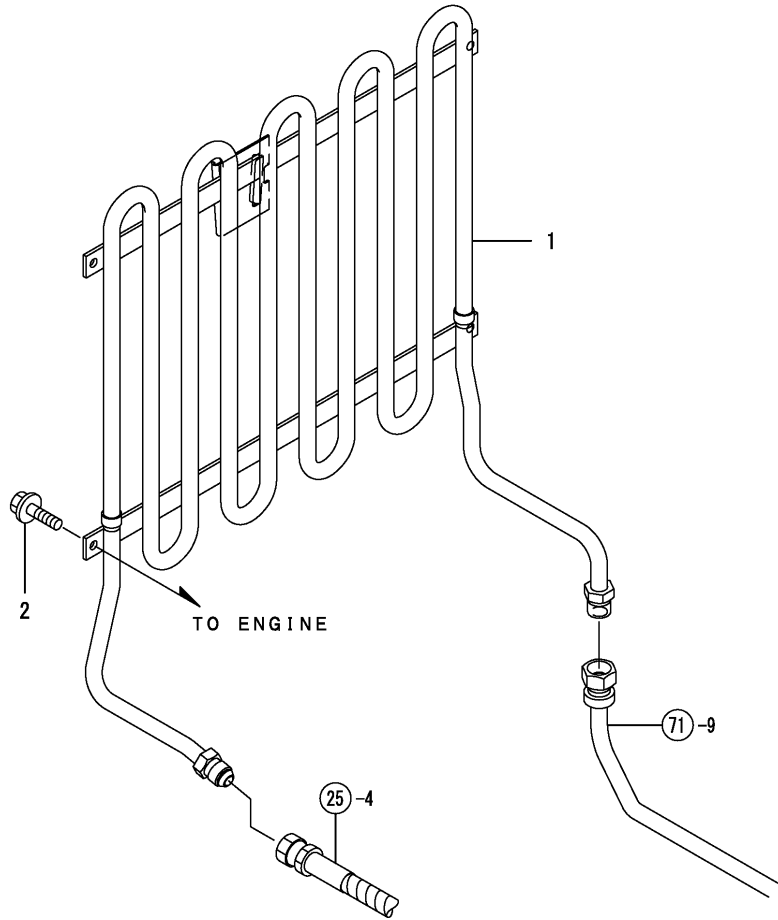


REF.	LEV.	PARTS NO.	DESCRIPTION	QTY						I	R
				(A)	(B)	(C)	(D)	(E)	(F)		
1	1	198010-41211	JOINT M22	1	1	1	1				
2	1	198200-48110	LINE ASSY,PRESSURE	1							
3	1	198220-48140	FLANGE	1	1	1	1				
4	1	198200-48160	LINE ASSY,LOW PRESS.	1							
5	1	198072-48340	TUBE,LOW-PRES.RUBBER	1	1	1	1	1			
6	1	198330-48410	CLAMP	1	1	1	1	1			
7	1	198200-48810	CLAMP	2	2	2	2	2			
8	1	198240-48850	CUSSION	2	2	2	2	2			
9	1	175022-49730	CRIP 31, HOSE	3	3	3	3	3			
10	1	1E6680-66470	ELBOW 3/8 W/SEAT	1	1	1	1	1			
11	1	198360-86840	COLLAR 8.4X12X15	1	1	1	1	1			
12	1	24311-000140	O-RING 1A P-14.0	1	1	1	1	1			
13	1	24311-000200	O-RING 1A P-20.0	1	1	1	1	1			
14	1	24311-000200	O-RING 1A P-20.0	1	1	1	1	1			
15	1	24311-000200	O-RING 1A P-20.0	1	1	1	1	1			
16	1	24311-000260	O-RING 1A P-26.0	1	1	1	1	1			
17	1	26018-060252	BOLT M 6X 25	4	4	4	4	4			
18	1	26106-060202	BOLT M 6X 20 PLATED	1	1	1	1	1			
19	1	26106-060452	BOLT M 6X 45 PLATED	2	2	2	2	2			
20	1	26106-080162	BOLT M 8X 16 PLATED	1	1	1	1	1			
21	1	26106-080202	BOLT M 8X 20 PLATED	1	1	1	1	1			
22	1	26106-080302	BOLT M 8X 30 PLATED	1	1	1	1	1			
23	1	198208-48110	LINE ASSY,PRESSURE		1	1	1	1			
24	1	198208-48160	LINE ASSY,LOW PRESS.		1	1	1	1			
25	1	1A6660-24250	PLUG, BORE 32	1	1	1	1	1			
26	1	198119-48310	ELEMENT	1	1	1	1	1			
27	1	198200-48350	COVER, FILTER	1	1	1	1	1			
28	1	24311-000340	O-RING 1A P-34.0	1	1	1	1	1			
29	1	26106-080252	BOLT M 8X 25 PLATED	2	2	2	2	2			
30	1	198280-61910	CURRENT PLATE	1	1	1	1	1			
31	1	198200-61930	BRACKET, LEVER R	1							
32	1	26106-060126	BOLT, 6 X 12	1	1	1	1	1			
34	1	198208-61930	BRACKET		1	1	1	1			

Fig.70. OIL COOLER

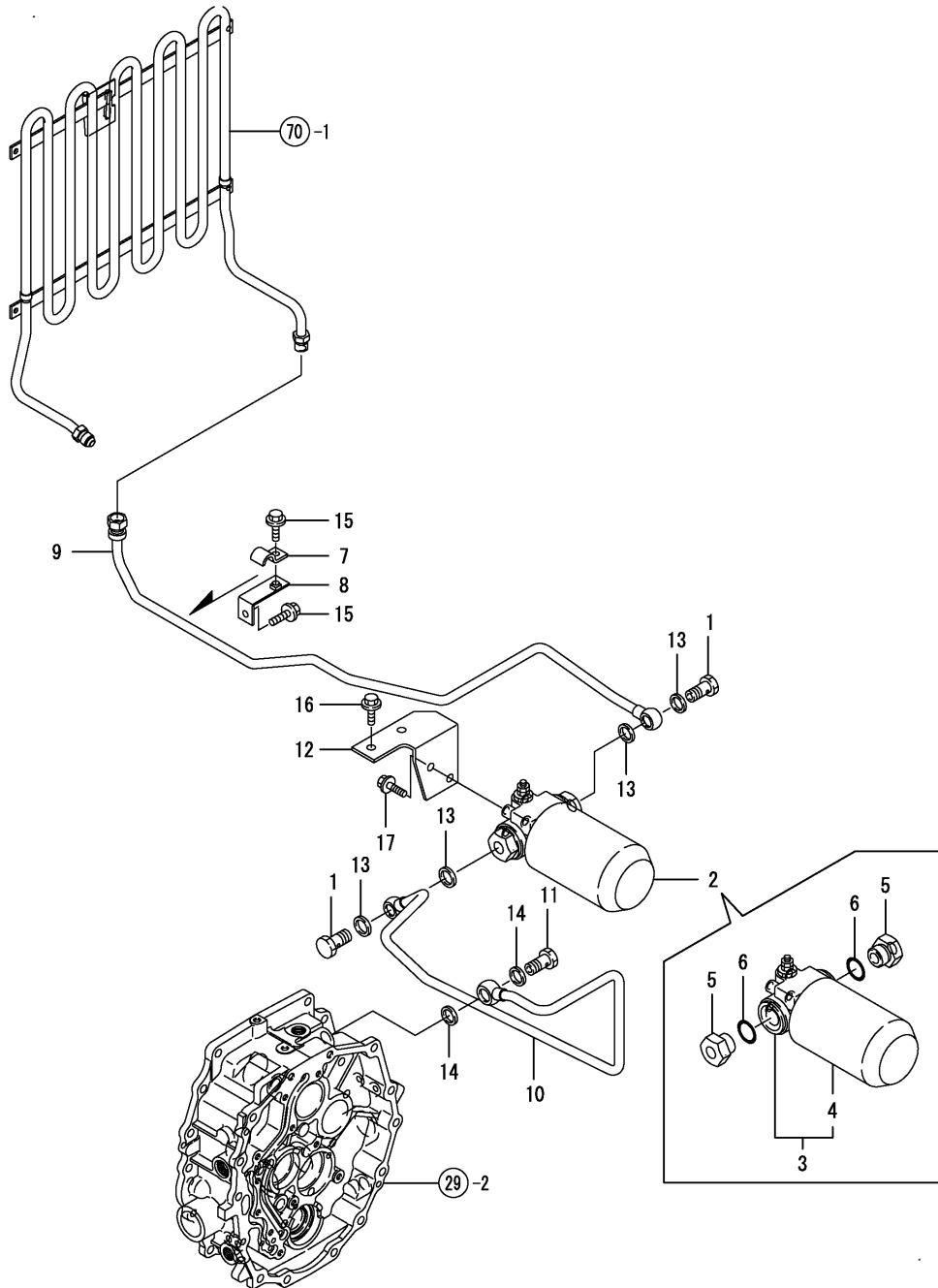
(A)=EF227EH (D)=EF235EH
 (B)=EF230EH (E)=
 (C)=EF233EH (F)=

REF.	LEV.	PARTS NO.	DESCRIPTION	QTY						I	R
				(A)	(B)	(C)	(D)	(E)	(F)		
1	1	198280-49100	COOLER ASSY,OIL	1	1	1	1				
2	1	26106-060122	BOLT M 6X 12 PLATED	4	4	4	4				



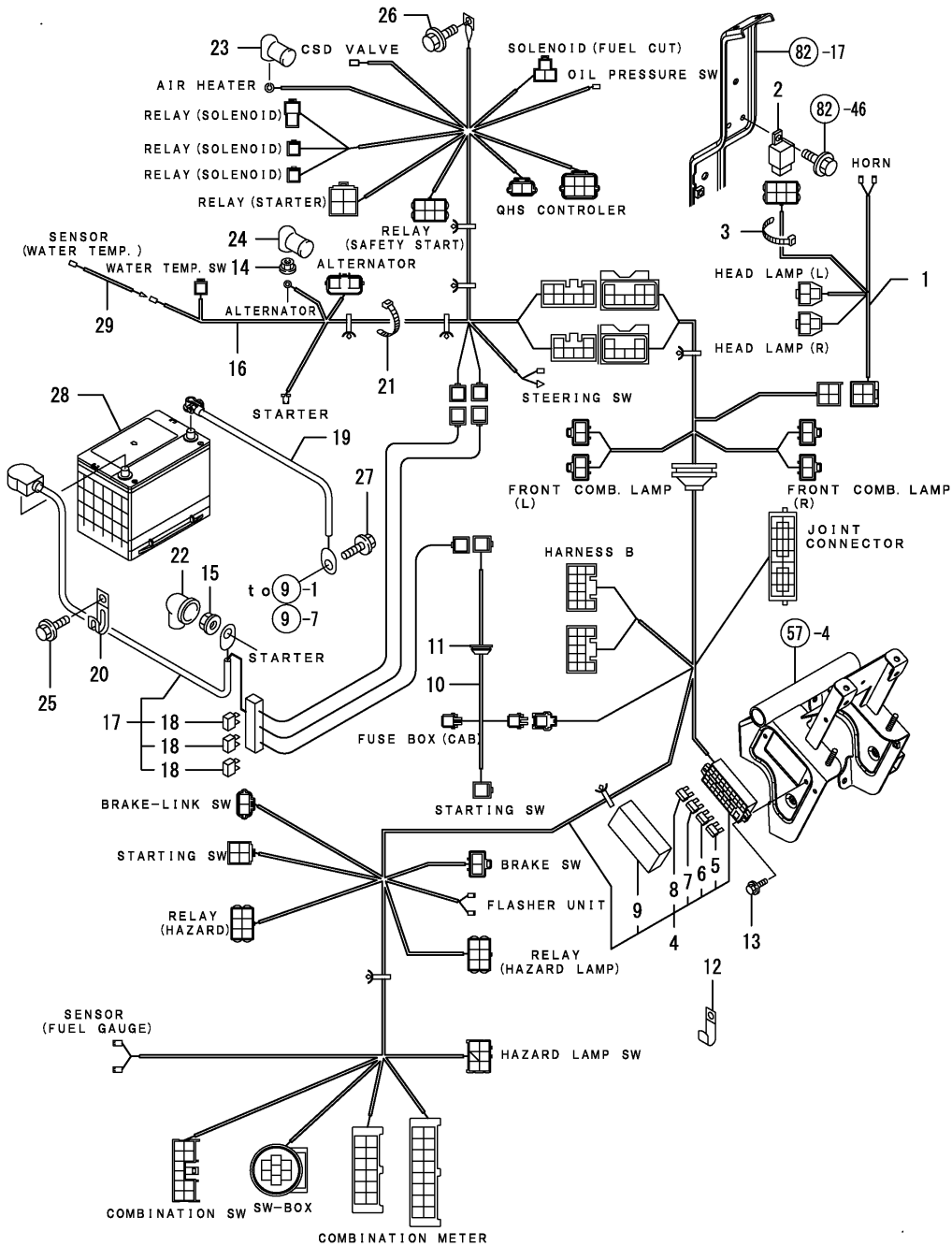
(A)=EF227EH (D)=EF235EH
 (B)=EF230EH (E)=
 (C)=EF233EH (F)=

Fig.71. H.S.T. PIPING



REF.	LEV.	PARTS NO.	DESCRIPTION	QTY						I	R
				(A)	(B)	(C)	(D)	(E)	(F)		
1	1	194321-17870	BOLT 10, PIPE JOINT	2	2	2	2				
2	1	198280-48300	FILTER ASSY,	1	1	1	1				
3	2	198129-29300	FILTER CMP,OIL	1	1	1	1				
4	3	198129-29310	FILTER	1	1	1	1				
5	2	198280-48950	JOINT,G3/4	2	2	2	2				
6	2	24311-000240	O-RING 1A P-24.0	2	2	2	2				
7	1	198071-48390	CLAMP 12 M	1	1	1	1				
8	1	198280-48410	PLATE,CLAMP	1	1	1	1				
9	1	198280-48610	LINE ASSY,FILTER	1	1	1	1				
10	1	198280-48650	LINE ASSY,HST CHARGE	1	1	1	1				
11	1	198220-48750	CONNECTOR ASSY	1	1	1	1				
12	1	198280-48960	BRACKET,FILTER	1	1	1	1				
13	1	23414-160021	GASKET 16	4	4	4	4				
14	1	23414-180023	GASKET 18	2	2	2	2				
15	1	26106-080162	BOLT M 8X 16 PLATED	2	2	2	2				
16	1	26106-100162	BOLT M10X 16 PLATED	2	2	2	2				
17	1	26106-100202	BOLT M10X 20 PLATED	2	2	2	2				

Fig.72. WIRE HARNESS(FLOOR)

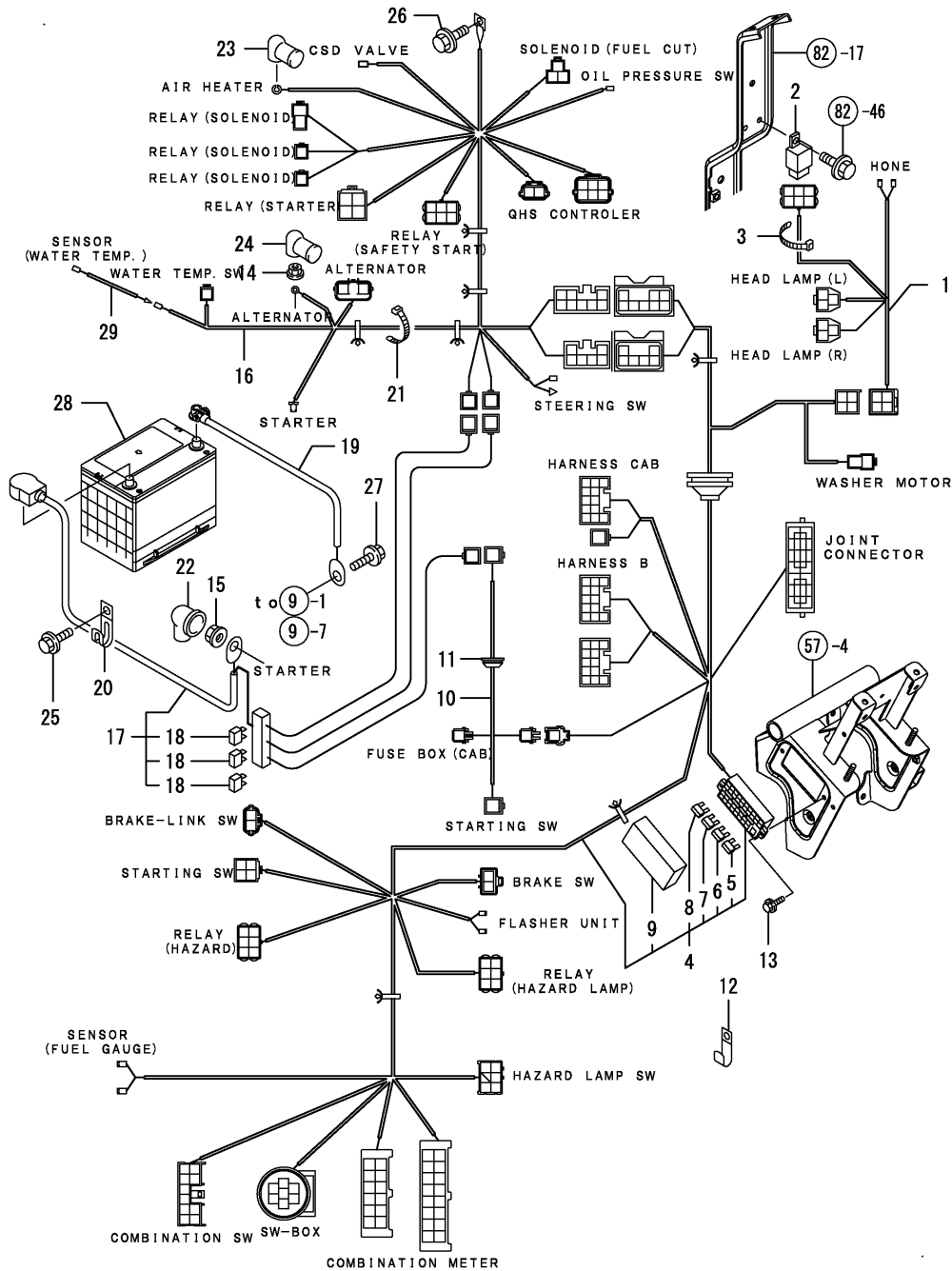


(A)=EF227EH (D)=EF235EH
 (B)=EF230EH (E)=
 (C)=EF233EH (F)=

REF.	LEV.	PARTS NO.	DESCRIPTION	QTY						I	R
				(A)	(B)	(C)	(D)	(E)	(F)		
1	1	198280-51170	WIRING HARNESS, LAMP	1	1	1	1				
2	1	198461-52950	RELAY CA,TYPE C	1	1	1	1				
3	1	29622-250001	BAND RF 250	1	1	1	1				
4	1	198280-51150	WIRING HARNESS, F	1	1	1	1				
5	2	198535-52110	FUSE	3	3	3	3				
6	2	198535-52120	FUSE, 10A	5	5	5	5				
7	2	198535-52130	FUSE, 15A	2	2	2	2				
8	2	198535-52140	FUSE, 20A	3	3	3	3				
9	2	198200-52520	COVER, FUSE BOX	1	1	1	1				
10	1	198280-51200	CABLE, STARTER	1	1	1	1				
11	1	194170-51210	GROMMET, 25	1	1	1	1				
12	1	194242-51660	CLAMP, HARNESS	1	1	1	1				
13	1	26106-060122	BOLT M 6X 12 PLATED	2	2	2	2				
14	1	194990-22130	NUT W/WASHER 6	1	1	1	1				
15	1	194990-22140	NUT W/WASHER 8	1	1	1	1				
16	1	198280-51110	WIRING HARNESS, A	1	1	1	1				
17	1	198280-51410	CABLE, BATTERY	1	1	1	1				
18	2	1A7000-52820	SLOW BLOW FUSE60A	3	3	3	3				
19	1	194250-51420	CABLE, BATTERY EARTH	1	1	1	1				
20	1	194440-51620	CLAMP, WIRE HARNESS		1	1	1				
21	1	198220-51870	CLAMP 200	1							
22	1	124550-77030	COVER, TERMINAL	1	1	1	1				
23	1	124756-77040	COVER, TERMINAL	1	1	1	1				
24	1	124756-77040	COVER, TERMINAL	1	1	1	1				
25	1	26106-080122	BOLT M 8X 12 PLATED		1	1	1				
26	1	26106-080122	BOLT M 8X 12 PLATED		1	1	1				
27	1	26106-080162	BOLT M 8X 16 PLATED		1	1	1				
28	1	198280-51540	BATTERY,	1	1	1	1				
29	1	198200-51510	CORD,WATER TEMP.	1							

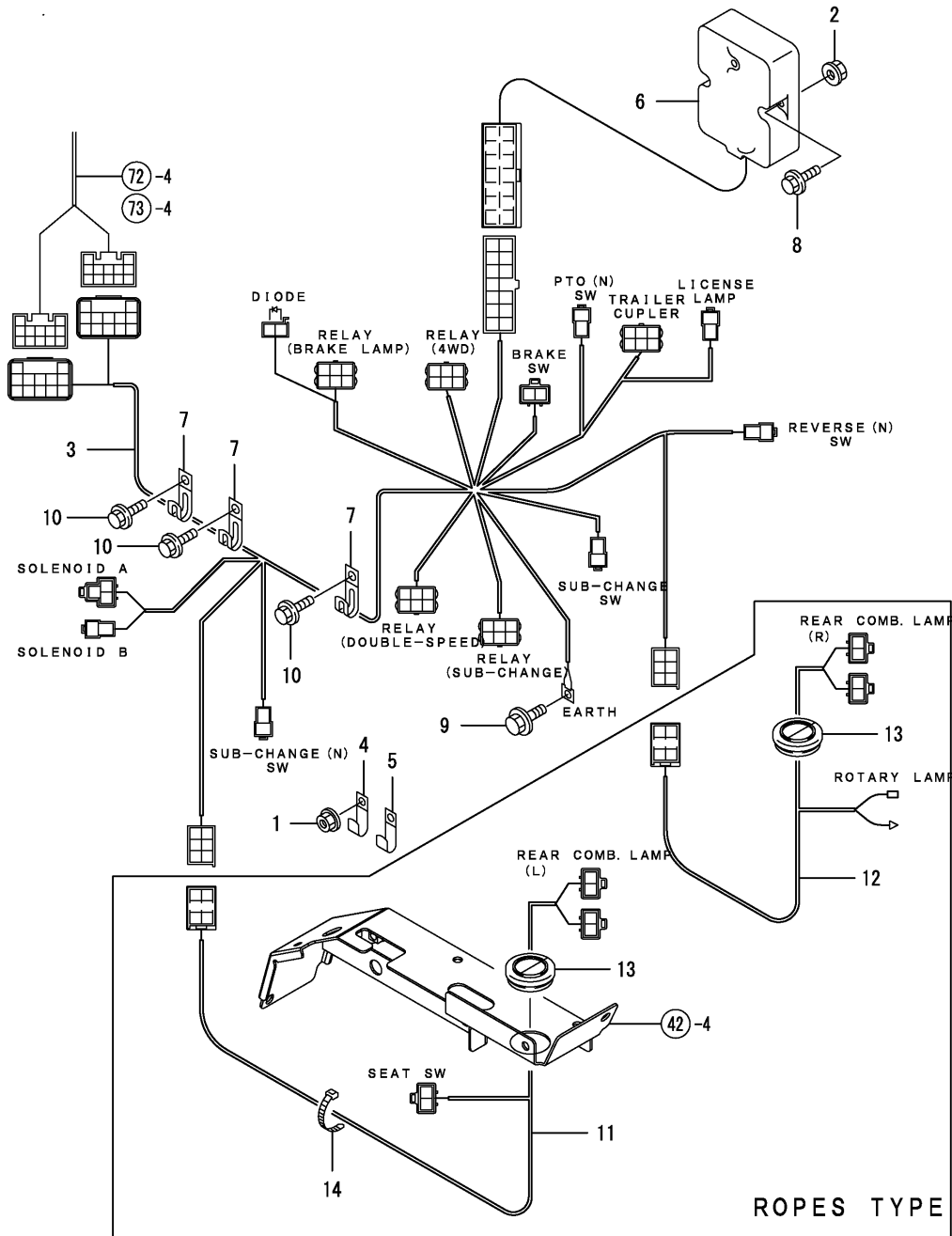
(A)=EF227EH (D)=EF235EH
 (B)=EF230EH (E)=
 (C)=EF233EH (F)=

Fig.73. WIRE HARNESS(FLOOR(CABIN))



REF.	LEV.	PARTS NO.	DESCRIPTION	QTY						I	R
				(A)	(B)	(C)	(D)	(E)	(F)		
1	1	198280-51170	WIRING HARNESS, LAMP	1	1	1	1				
2	1	198461-52950	RELAY CA,TYPE C	1	1	1	1				
3	1	29622-250001	BAND RF 250	1	1	1	1				
4	1	198287-51150	WIRING HARNESS, F	1	1	1	1				
5	2	198535-52110	FUSE	5	5	5	5				
6	2	198535-52120	FUSE, 10A	6	6	6	6				
7	2	198535-52130	FUSE, 15A	4	4	4	4				
8	2	198535-52140	FUSE, 20A	3	3	3	3				
9	2	198200-52520	COVER, FUSE BOX	1	1	1	1				
10	1	198280-51200	CABLE, STARTER	1	1	1	1				
11	1	194170-51210	GROMMET, 25	1	1	1	1				
12	1	194242-51660	CLAMP, HARNESS	1	1	1	1				
13	1	26106-060122	BOLT M 6X 12 PLATED	2	2	2	2				
14	1	194990-22130	NUT W/WASHER 6	1	1	1	1				
15	1	194990-22140	NUT W/WASHER 8	1	1	1	1				
16	1	198280-51110	WIRING HARNESS, A	1	1	1	1				
17	1	198280-51410	CABLE, BATTERY	1	1	1	1				
18	2	1A7000-52820	SLOW BLOW FUSE60A	3	3	3	3				
19	1	194250-51420	CABLE, BATTERY EARTH	1	1	1	1				
20	1	194440-51620	CLAMP, WIRE HARNESS		1	1	1				
21	1	198220-51870	CLAMP 200	1	1	1	1				
22	1	124550-77030	COVER, TERMINAL	1	1	1	1				
23	1	124756-77040	COVER, TERMINAL	1	1	1	1				
24	1	124756-77040	COVER, TERMINAL	1	1	1	1				
25	1	26106-080122	BOLT M 8X 12 PLATED	1	1	1	1				
26	1	26106-080122	BOLT M 8X 12 PLATED	1	1	1	1				
27	1	26106-080162	BOLT M 8X 16 PLATED	1	1	1	1				
28	1	198280-51540	BATTERY,	1	1	1	1				
29	1	198200-51510	CORD,WATER TEMP.	1							

Fig.74. WIRE HARNESS(TRANSMISSION)

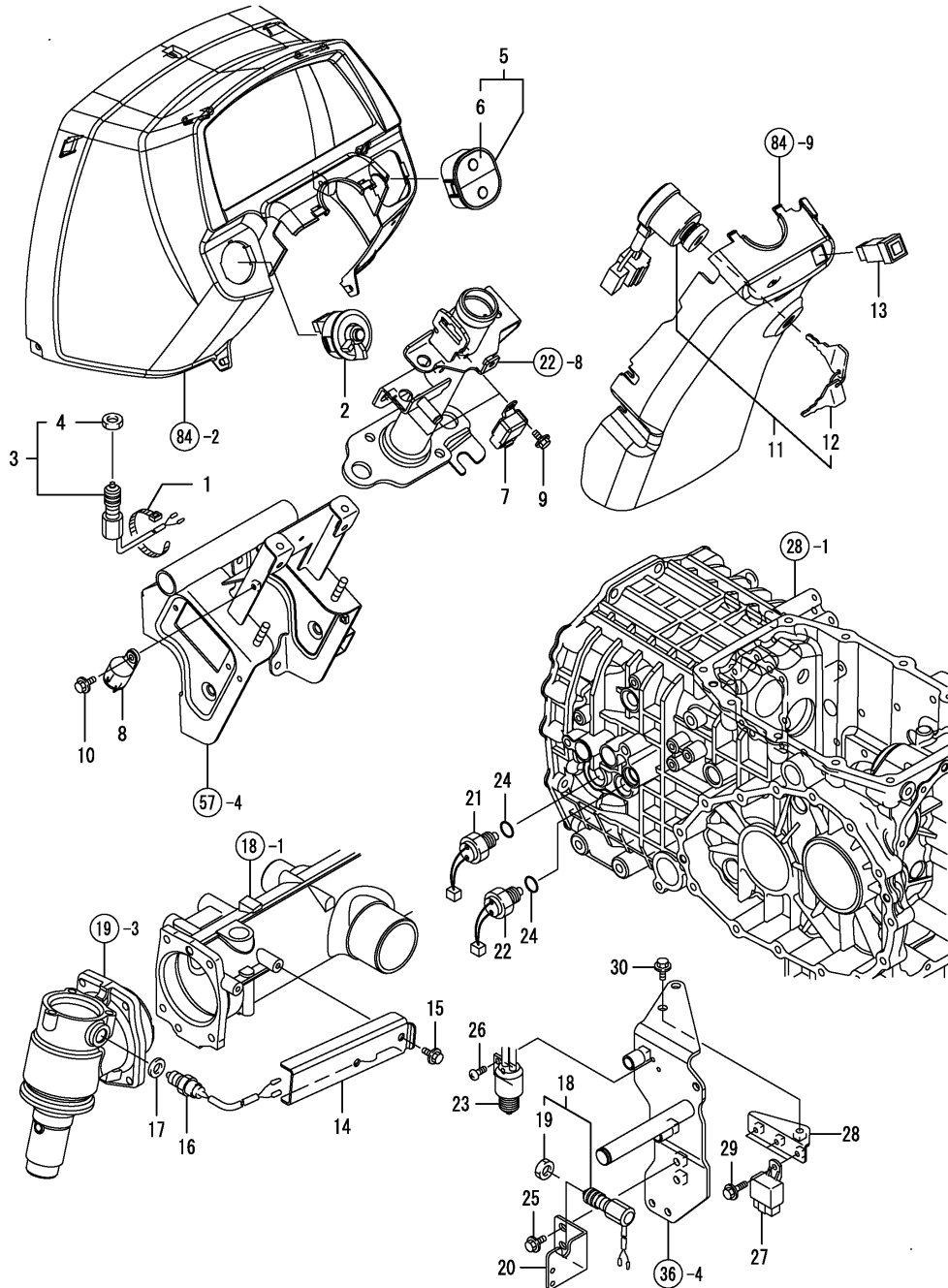


(A)=EF227EH (D)=EF235EH
 (B)=EF230EH (E)=
 (C)=EF233EH (F)=

REF.	LEV.	PARTS NO.	DESCRIPTION	QTY						I	R
				(A)	(B)	(C)	(D)	(E)	(F)		
1	1	194990-22130	NUT W/WASHER 6	1	1	1	1				
2	1	194990-22130	NUT W/WASHER 6	2	2	2	2				
3	1	198280-51130	WIRING HARNESS, B	1	1	1	1				
4	1	194440-51630	CLAMP, WIRE HARNESS	1	1	1	1				
5	1	194180-51640	CLAMP, WIRE HARNESS	2	2	2	2				
6	1	198165-52600	CONTROLLER, CHAIN	1	1	1	1				
7	1	1E6102-83230	CLAMP, BATTERY CABLE	3	3	3	3				
8	1	26106-06020	BOLT M 6X 20 PLATED	2	2	2	2				
9	1	26106-080122	BOLT M 8X 12 PLATED	1	1	1	1				
10	1	26106-080122	BOLT M 8X 12 PLATED	3	3	3	3				
11	1	198280-51180	WIRING HARNESS, C	1	1	1	1				
12	1	198280-51190	WIRING HARNESS, D	1	1	1	1				
13	1	198133-51350	GROMMET 38A	2	2	2	2				
14	1	29622-250001	BAND RF 250	1	1	1	1				

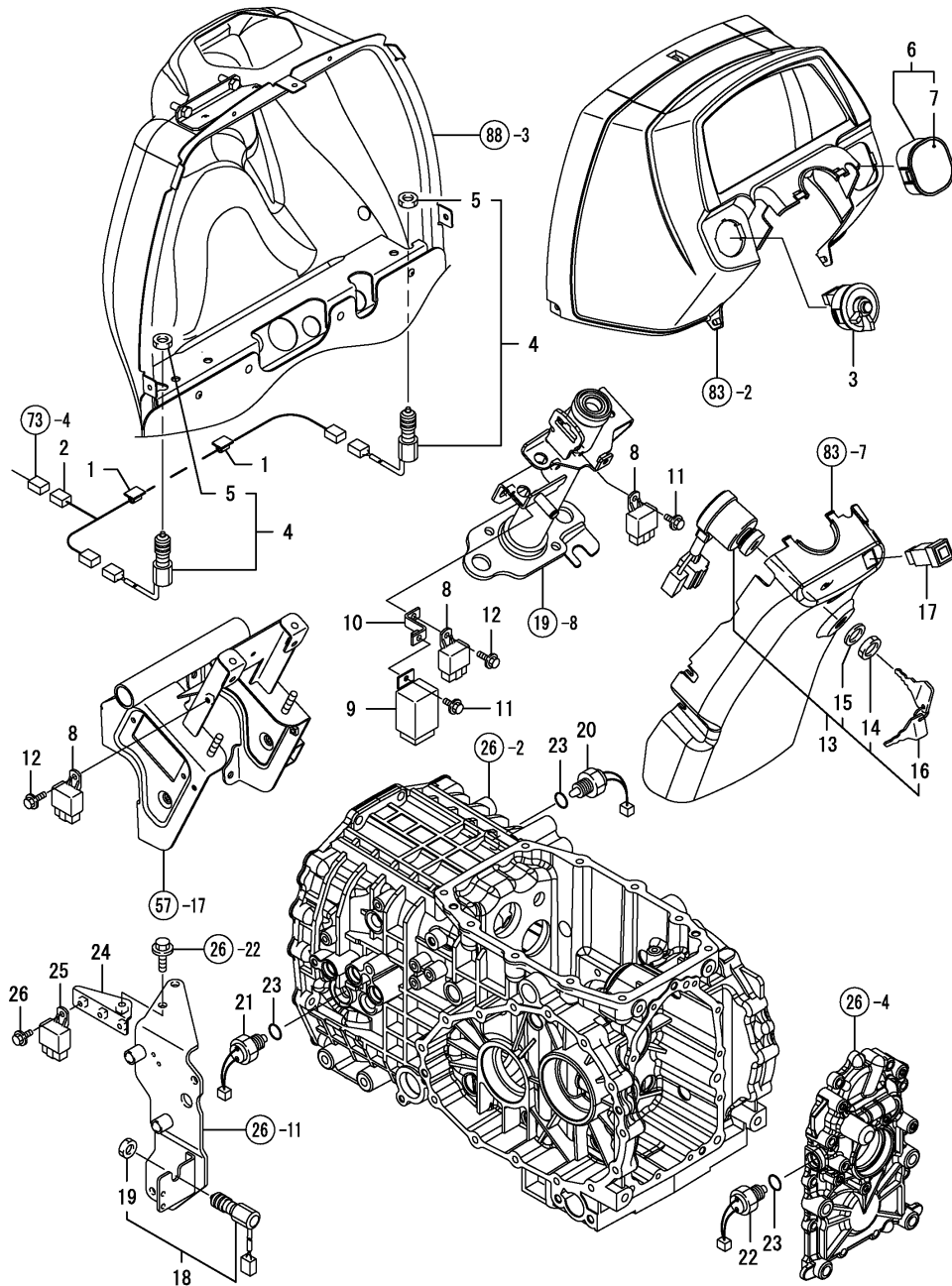
Fig.75. SWITCHES

(A)=EF227EH (D)=EF235EH
 (B)=EF230EH (E)=
 (C)=EF233EH (F)=



REF.	LEV.	PARTS NO.	DESCRIPTION	QTY						I	R
				(A)	(B)	(C)	(D)	(E)	(F)		
1	1	194242-51660	CLAMP, HARNESS	1	1	1	1				
2	1	198200-52140	SWITCH, COMBINATION	1	1	1	1				
3	1	198223-52150	SWITCH, BRAKE LAMP	1	1	1	1				
4	2	26776-120002	LOCK NUT M12 PLATED	1	1	1	1				
5	1	198280-52200	BOX, SWITCH 2SW	1	1	1	1				
6	2	198280-52210	LABEL,	1	1	1	1				
7	1	198461-52950	RELAY CA, TYPE C	2	2	2	2				
8	1	198327-57200	RELAY	1	1	1	1				
9	1	26106-060122	BOLT M 6X 12 PLATED	2	2	2	2				
10	1	26106-060162	BOLT M 6X 16 PLATED	1	1	1	1				
11	1	194940-52110	SWITCH, STARTER	1	1	1	1				
12	2	198360-52160	KEY COMPL.	1	1	1	1				
13	1	1A7335-52120	HAZARD SW	1	1	1	1				
14	1	198200-19130	COVER, SWITCH	1	1	1	1				
15	1	26106-080122	BOLT M 8X 12 PLATED	2	2	2	2				
16	1	198071-52190	SWITCH, HIGH-GRIP	1	1	1	1				
17	1	23414-180000	GASKET 18, ROUND	1	1	1	1				
18	1	198223-52150	SWITCH, BRAKE LAMP	1	1	1	1				
19	2	26776-120002	LOCK NUT M12 PLATED	1	1	1	1				
20	1	198280-52160	STAY, BRAKE SWITCH	1	1	1	1				
21	1	194464-52190	SWITCH, SAFETY START	1	1	1	1				
22	1	194464-52190	SWITCH, SAFETY START	1	1	1	1				
23	1	194940-52300	SWITCH, BUZZER	1	1	1	1				
24	1	24311-000180	O-RING 1A P-18.0	2	2	2	2				
25	1	26106-080162	BOLT M 8X 16 PLATED	2	2	2	2				
26	1	26557-050102	SCREW M 5X 10	2	2	2	2				
27	1	198461-52950	RELAY CA, TYPE C	4	4	4	4				
28	1	198280-58100	STAY, RELAY	1	1	1	1				
29	1	26106-060122	BOLT M 6X 12 PLATED	3	3	3	3				
30	1	26106-080162	BOLT M 8X 16 PLATED	1	1	1	1				

Fig.75. SWITCH

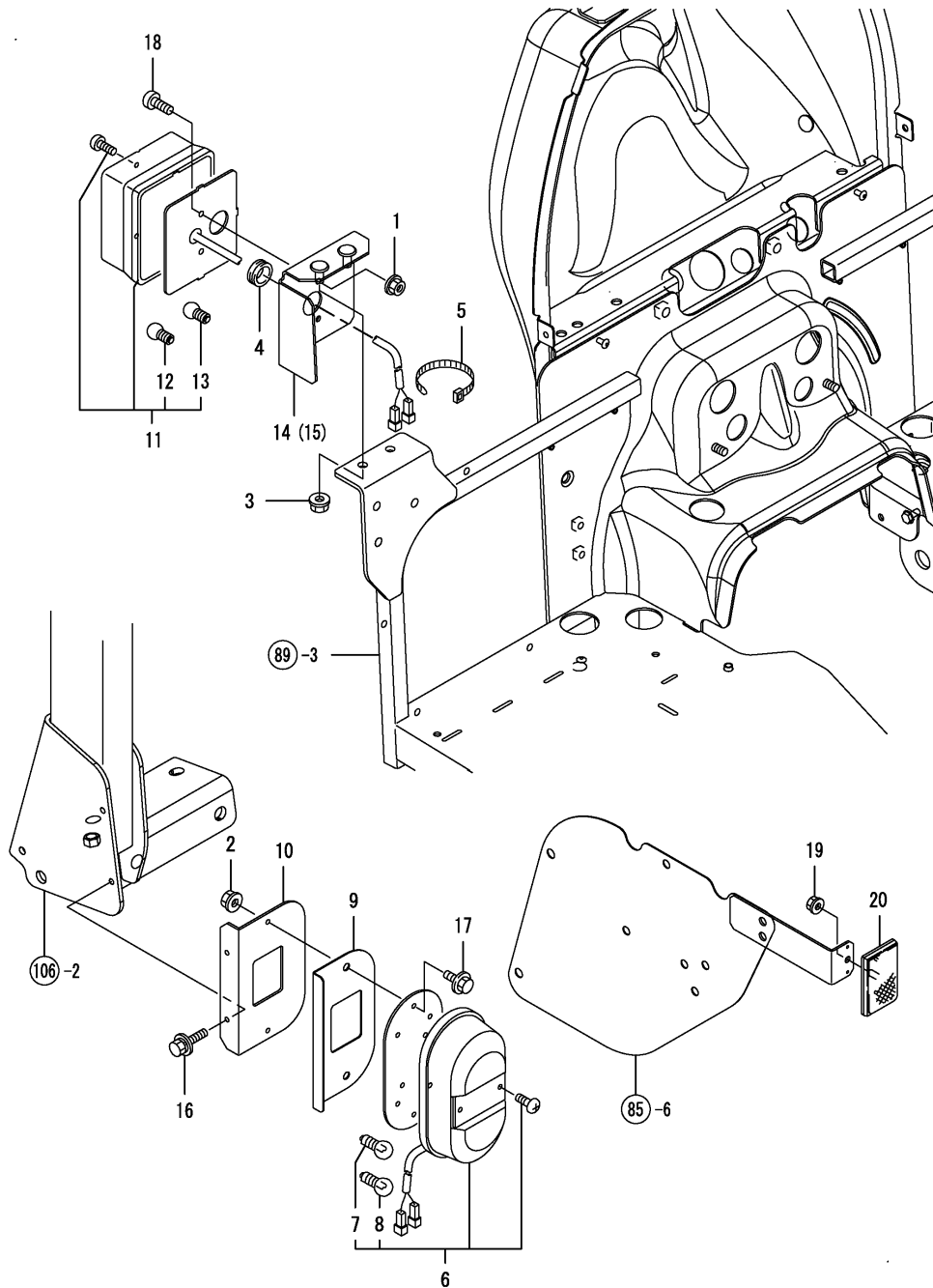


(A)=EF227E (D)=
 (B)=EF230E (E)=
 (C)=EF233E (F)=

REF.	LEV.	PARTS NO.	DESCRIPTION	QTY						I	R
				(A)	(B)	(C)	(D)	(E)	(F)		
1	1	172010-07810	STICKER, WIRE	2	2	2					
2	1	198282-51270	WIRING HARNESS, BRAKE	1	1	1					
3	1	198200-52140	SWITCH, COMBINATION	1	1	1					
4	1	198223-52150	SWITCH, BRAKE LAMP	2	2	2					
5	2	26776-120002	LOCK NUT M12 PLATED	2	2	2					
6	1	198280-52450	SWITCH BOX, CAP	1	1	1					
7	2	198280-52460	LABEL,	1	1	1					
8	1	198461-52950	RELAY CA, TYPE C	3	3	3					
9	1	198282-57200	FLASHER RELAY	1	1	1					
10	1	198282-57250	STAY, RELAY	1	1	1					
11	1	26106-060122	BOLT M 6X 12 PLATED	2	2	2					
12	1	26106-060162	BOLT M 6X 16 PLATED	2	2	2					
13	1	194940-52110	SWITCH, STARTER	1	1	1					
14	2	198360-52320	NUT, RING	1	1	1					
15	2	198360-52330	WASHER	1	1	1					
16	2	198360-52160	KEY COMPL.	1	1	1					
17	1	1A7335-52120	HAZARD SW	1	1	1					
18	1	198223-52150	SWITCH, BRAKE LAMP	1	1	1					
19	2	26776-120002	LOCK NUT M12 PLATED	1	1	1					
20	1	194464-52190	SWITCH, SAFETY START	1	1	1					
21	1	194464-52190	SWITCH, SAFETY START	1	1	1					
22	1	194464-52190	SWITCH, SAFETY START	1	1	1					
23	1	24311-000180	O-RING 1A P-18.0	3	3	3					
24	1	198280-58100	STAY, RELAY	1	1	1					
25	1	198461-52950	RELAY CA, TYPE C	1	1	1					
26	1	26106-060122	BOLT M 6X 12 PLATED	1	1	1					

Fig.76. LAMPS

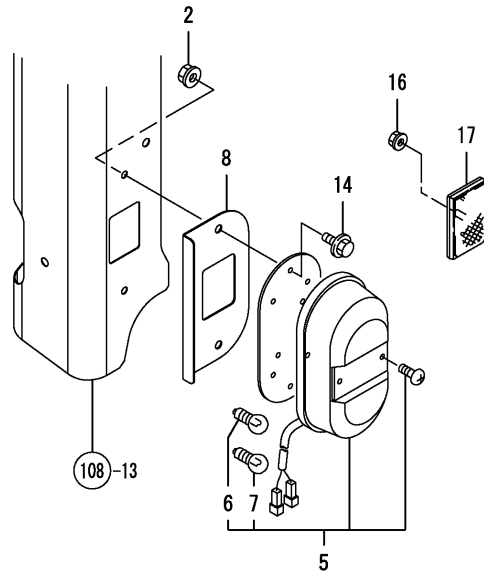
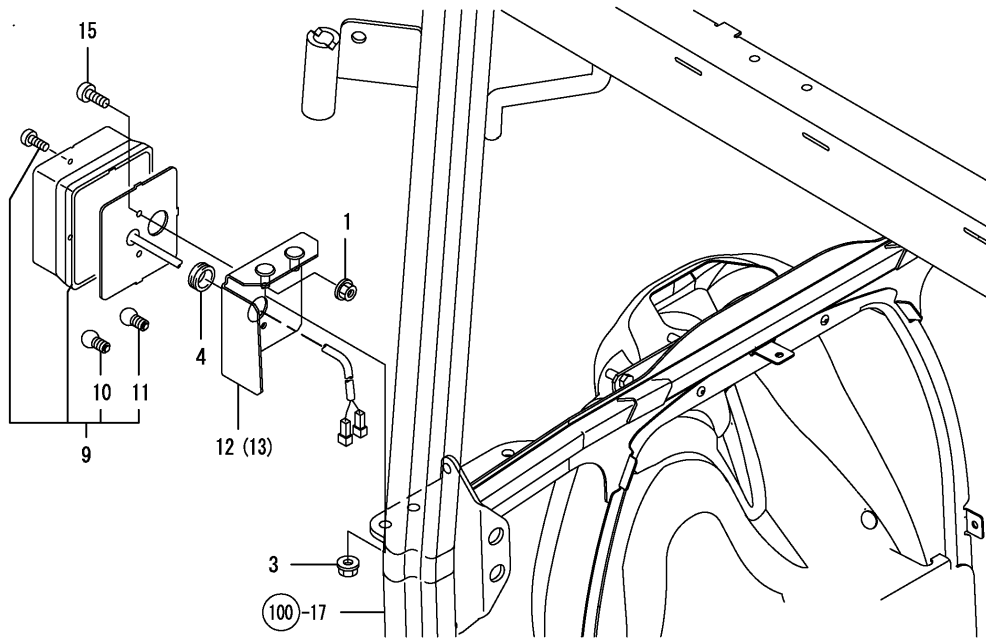
(A)=EF227EH (D)=EF235EH
 (B)=EF230EH (E)=
 (C)=EF233EH (F)=



REF.	LEV.	PARTS NO.	DESCRIPTION	QTY						I	R
				(A)	(B)	(C)	(D)	(E)	(F)		
1	1	194990-22120	NUT W/WASHER 5	4	4	4	4				
2	1	194990-22130	NUT W/WASHER 6	4	4	4	4				
3	1	194990-22140	NUT W/WASHER 8	4	4	4	4				
4	1	198448-33390	GROMMET,CABLE	2	2	2	2				
5	1	194680-51670	BAND	6	6	6	6				
6	1	198280-53300	LAMP ASSY, REAR	2	2	2	2				
7	2	1A7100-53220	BULB	2	2	2	2				
8	2	198280-53330	VALVE, 12V P21/5W	2	2	2	2				
9	1	198280-53350	PLATE, REAR LAMP	2	2	2	2				
10	1	198280-53360	STAY, REAR LAMP	2	2	2	2				
11	1	198280-53400	LAMP ASSY,FRONT	2	2	2	2				
12	2	1A7100-53220	BULB	2	2	2	2				
13	2	1A7100-53230	BULB	2	2	2	2				
14	1	198280-53510	BRACKET, L FRONT	1	1	1	1				
15	1	198280-53520	BRACKET, R FRONT	1	1	1	1				
16	1	198461-60590	BOLT 6* 20	4	4	4	4				
17	1	26106-060162	BOLT M 6X 16 PLATED	4	4	4	4				
18	1	26557-050122	SCREW M 5X 12	4	4	4	4				
19	1	194990-22130	NUT W/WASHER 6	2	2	2	2				
20	1	198164-62230	REFLECTOR,	2	2	2	2				

(A)=EF227EH (D)=EF235EH
 (B)=EF230EH (E)=
 (C)=EF233EH (F)=

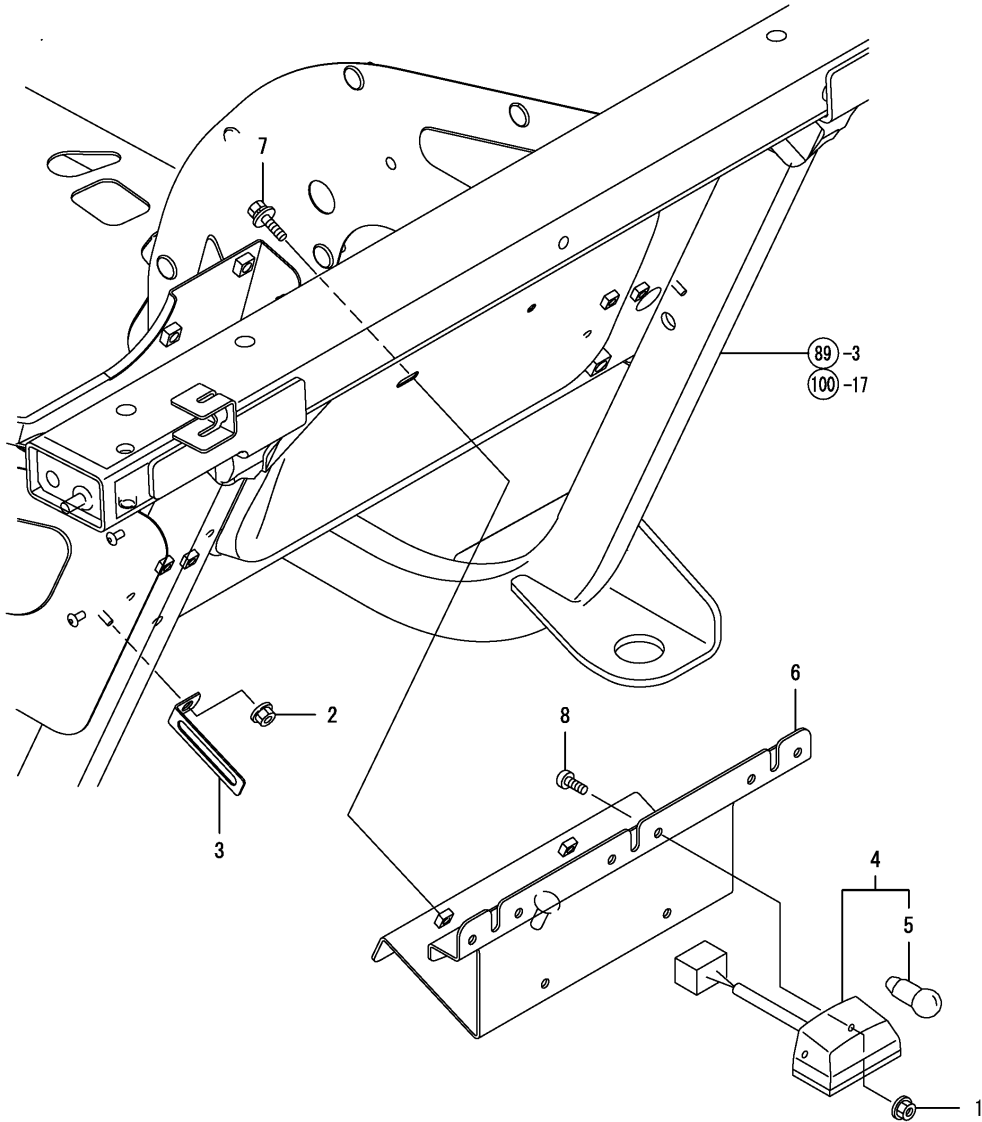
Fig.77. LAMP(CABIN)



REF.	LEV.	PARTS NO.	DESCRIPTION	QTY						I	R
				(A)	(B)	(C)	(D)	(E)	(F)		
1	1	194990-22120	NUT W/WASHER 5	4	4	4	4				
2	1	194990-22130	NUT W/WASHER 6	4	4	4	4				
3	1	194990-22140	NUT W/WASHER 8	4	4	4	4				
4	1	198448-33390	GROMMET,CABLE	2	2	2	2				
5	1	198280-53300	LAMP ASSY, REAR	2	2	2	2				
6	2	1A7100-53220	BULB	2	2	2	2				
7	2	198280-53330	VALVE, 12V P21/5W	2	2	2	2				
8	1	198280-53350	PLATE, REAR LAMP	2	2	2	2				
9	1	198280-53400	LAMP ASSY,FRONT	2	2	2	2				
10	2	1A7100-53220	BULB	2	2	2	2				
11	2	1A7100-53230	BULB	2	2	2	2				
12	1	198280-53510	BRACKET, L FRONT	1	1	1	1				
13	1	198280-53520	BRACKET, R FRONT	1	1	1	1				
14	1	26106-060162	BOLT M 6X 16 PLATED	4	4	4	4				
15	1	26557-050122	SCREW M 5X 12	4	4	4	4				
16	1	194990-22130	NUT W/WASHER 6	2	2	2	2				
17	1	198164-62230	REFLECTOR,	2	2	2	2				

Fig.78. LICENCE

(A)=EF227EH (D)=EF235EH
 (B)=EF230EH (E)=
 (C)=EF233EH (F)=



REF.	LEV.	PARTS NO.	DESCRIPTION	QTY						I	R
				(A)	(B)	(C)	(D)	(E)	(F)		
1	1	194990-22120	NUT W/WASHER 5	2	2	2	2				
2	1	194990-22130	NUT W/WASHER 6	1	1	1	1				
3	1	194440-51630	CLAMP, WIRE HARNESS	1	1	1	1				
4	1	1A7100-53400	LAMP	1	1	1	1				
5	2	1A7100-53420	BULB,LAMP	1	1	1	1				
6	1	198280-53710	BRACKET ASSY,	1	1	1	1				
7	1	198093-85650	BOLT M6X16	2	2	2	2				
8	1	26557-050162	SCREW M 5X 16	2	2	2	2				

Fig.79. METER

(A)=EF227EH (D)=EF235EH
 (B)=EF230EH (E)=
 (C)=EF233EH (F)=

REF.	LEV.	PARTS NO.	DESCRIPTION	QTY						I	R
				(A)	(B)	(C)	(D)	(E)	(F)		
1	1	198280-56010	METER ASSY,	1	1	1	1				
5	2	1C6920-36260	LAMP ASSY.,SOCKET	1	1	1	1				
6	2	198200-56050	BULB, 14V-1.7W	9	9	9	9				
7	2	198448-56150	LAMP 14V/1.4W,SOCKET	5	5	5	5				
8	2	198200-56060	GLASS,	1	1	1	1				
11	1	194940-61790	SCRFW 5X16	4	4	4	4				

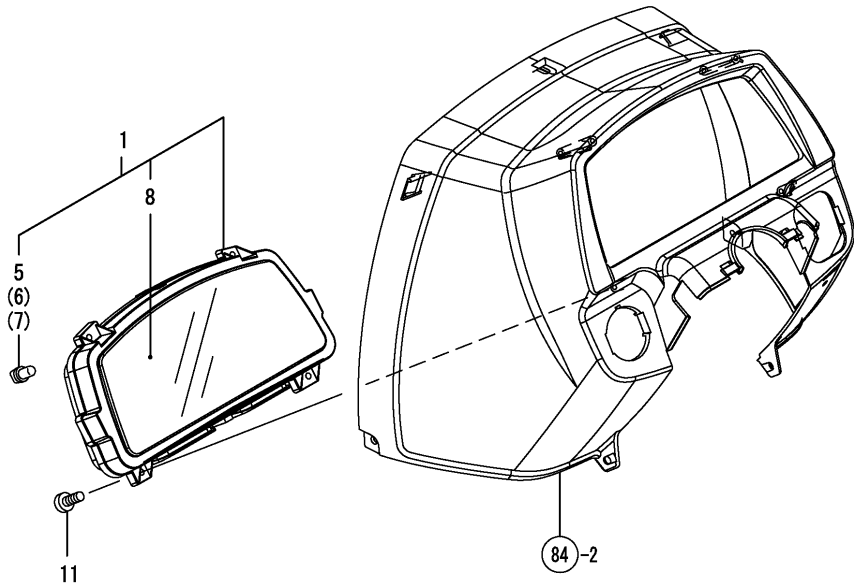
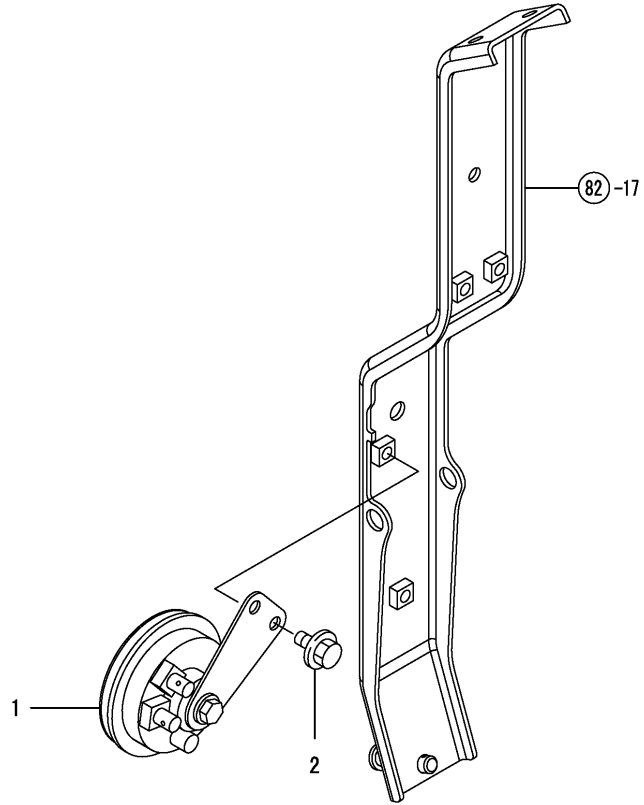


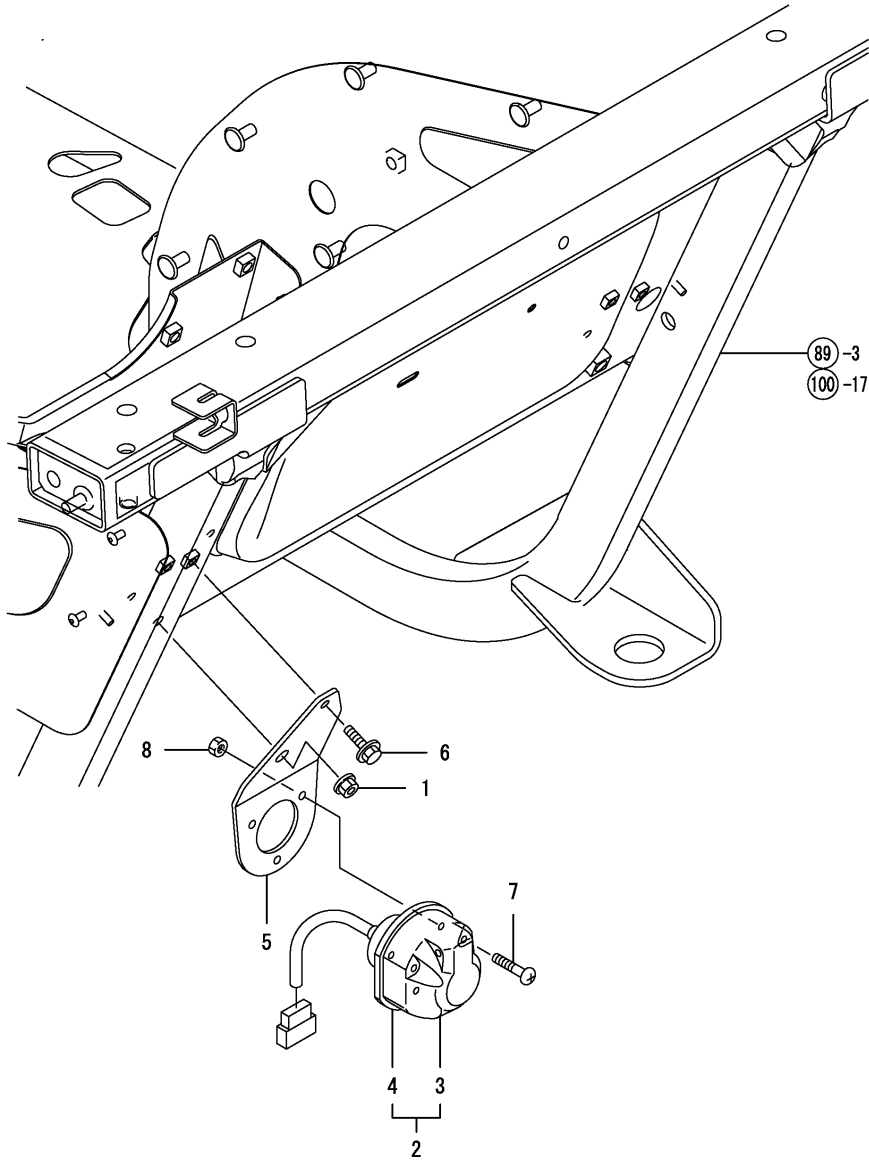
Fig.80. HORN

(A)=EF227EH (D)=EF235EH
 (B)=EF230EH (E)=
 (C)=EF233EH (F)=



REF.	LEV.	PARTS NO.	DESCRIPTION	QTY						I	R
				(A)	(B)	(C)	(D)	(E)	(F)		
1	1	1C7100-08150	HORN,ELECTRIC	1	1	1	1				
2	1	26106-060082	BOLT M 6X 8 PLATED	1	1	1	1				

Fig.81. TRAILER COUPLER



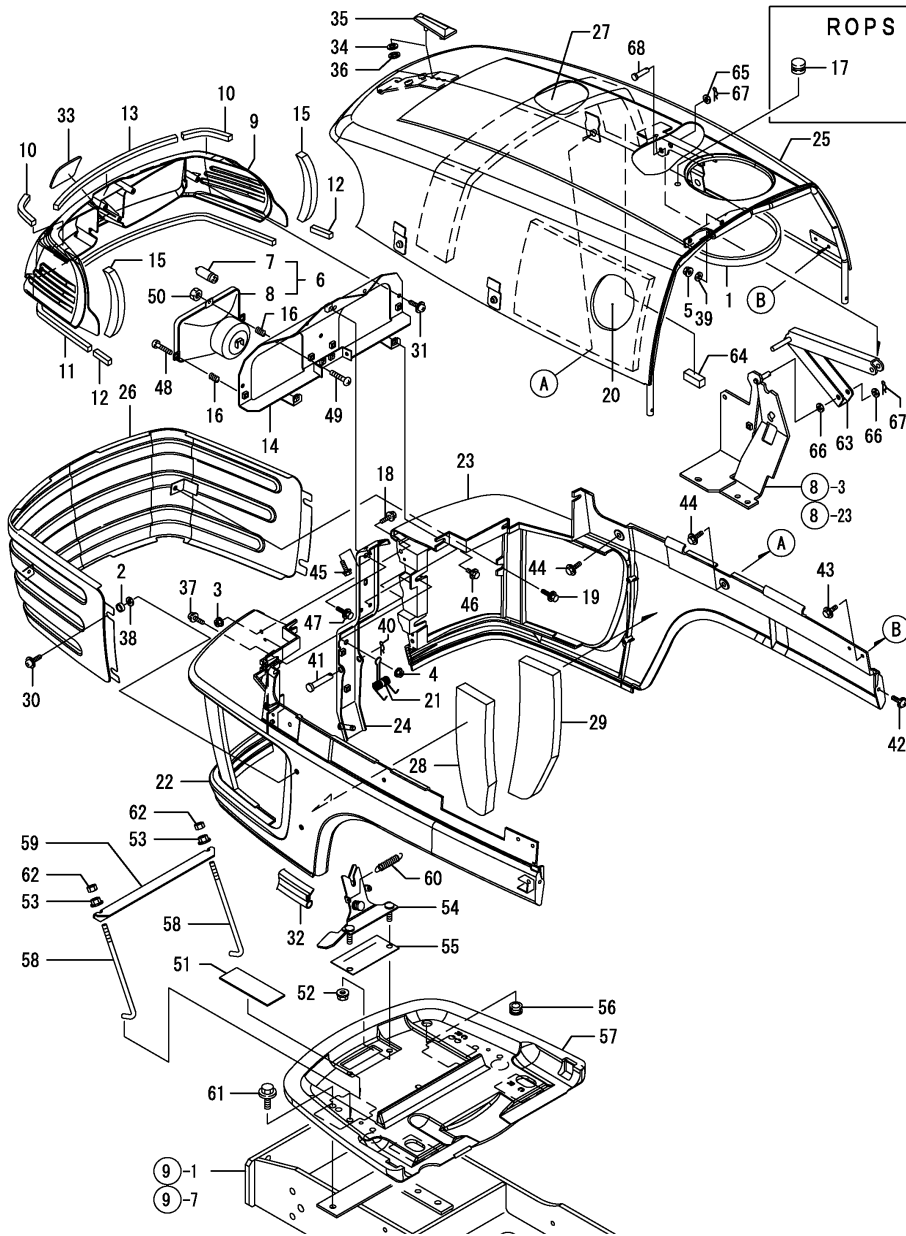
NPC-4322 81. TRAILER COUPLER

(A)=EF227EH (D)=EF235EH
 (B)=EF230EH (E)=
 (C)=EF233EH (F)=

REF.	LEV.	PARTS NO.	DESCRIPTION	QTY						I	R
				(A)	(B)	(C)	(D)	(E)	(F)		
1	1	194990-22150	NUT W/WASHER 10	1	1	1	1				
2	1	198163-52150	COUPLER SET,	1	1	1	1				
3	2	198163-52110	COUPLER ASSY,	1	1	1	1				
4	2	198163-52120	BOOT, COUPLER	1	1	1	1				
5	1	198280-57340	BRACKET, COUPLER	1	1	1	1				
6	1	26106-060122	BOLT M 6X 12 PLATED	1	1	1	1				
7	1	26557-050352	SCREW M 5X 35	3	3	3	3				
8	1	26716-050002	NUT M 5	3	3	3	3				

Fig.82. HOOD

(A)=EF227EH (D)=EF235EH
 (B)=EF230EH (E)=
 (C)=EF233EH (F)=



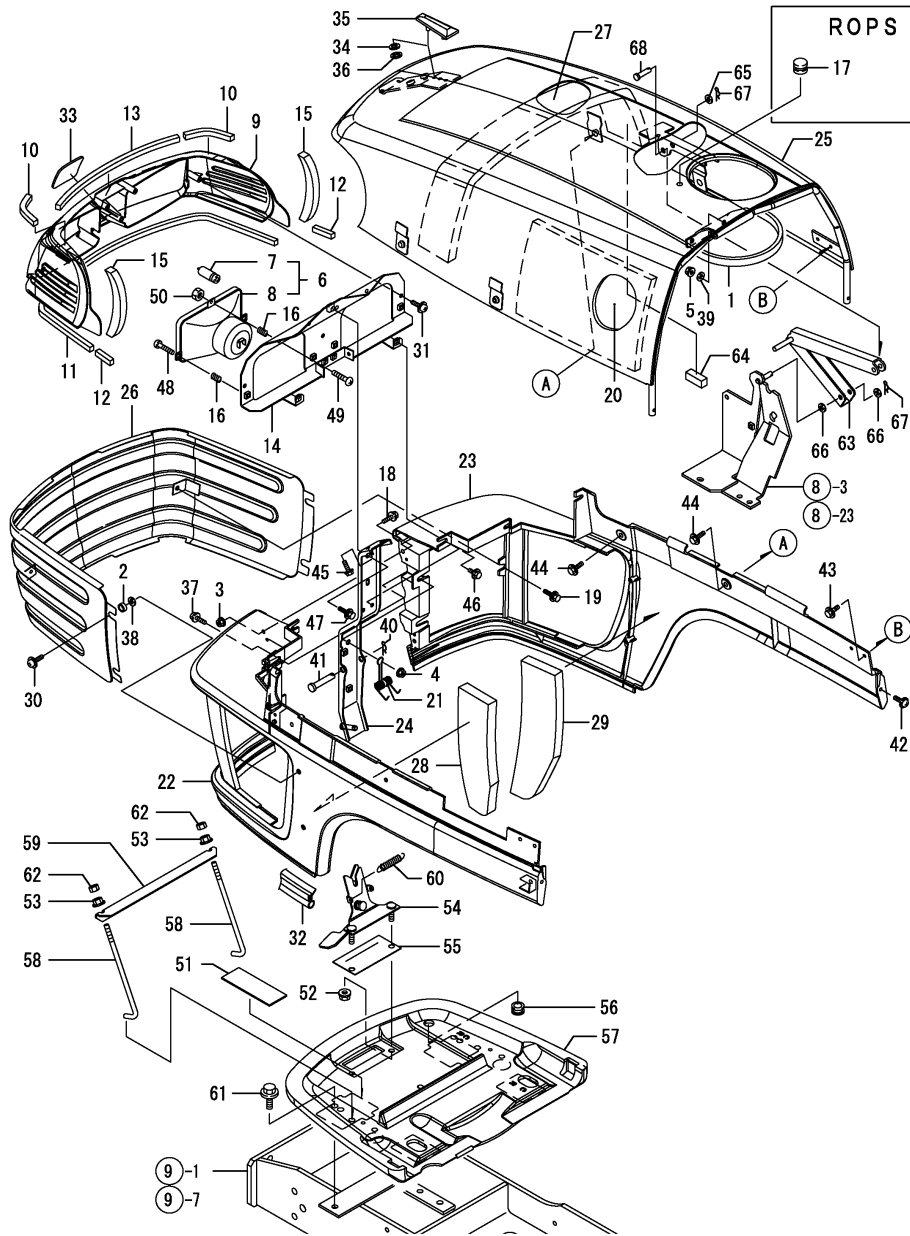
Remarks
 (1) FOR TYPE ROPS

REF.	LEV.	PARTS NO.	DESCRIPTION	QTY						I	R
				(A)	(B)	(C)	(D)	(E)	(F)		
1	1	198200-04251	GASKET, DRIP PAN	1	1	1	1				
2	1	174501-07060	COLLAR 10X15X6	4	4	4	4				
3	1	194990-22130	NUT W/WASHER 6	2	2	2	2				
4	1	194990-22140	NUT W/WASHER 8	1	1	1	1				
5	1	194990-22140	NUT W/WASHER 8	2	2	2	2				
6	1	1A7100-53100	HEADLAMP CMP.	2	2	2	2				
7	2	1A7100-53130	BULB	2	2	2	2				
8	2	1A7100-53140	COVER	2	2	2	2				
9	1	198280-53150	COVER, HEAD LAMP	1	1	1	1				
10	1	198280-53170	SEAL, A COVER	2	2	2	2				
11	1	198280-53180	SEAL, B COVER	1	1	1	1				
12	1	198280-53190	SEAL, C COVER	2	2	2	2				
13	1	198200-53210	SEAL, HEAD LAMP	1	1	1	1				
14	1	198280-53210	BRACKET ASSY, LAMP	1	1	1	1				
15	1	198200-53230	SEAL, HEAD LAMP	2	2	2	2				
16	1	198327-53280	SPRING 1.2	6	6	6	6				
17	1	194197-56350	GROMMET	1	1	1	1				1
18	1	198461-60590	BOLT 6* 20	3	3	3	3				
19	1	198461-60590	BOLT 6* 20	2	2	2	2				
20	1	1A7260-60890	URETHANE, HOOD UPPER	1	1	1	1				
21	1	198200-60910	SPRING, HOOD	1	1	1	1				
22	1	198200-61152	HOOD, LOWER L	1	1	1	1				
23	1	198200-61162	HOOD, LOWER R	1	1	1	1				
24	1	198280-61210	STAY ASSY, FRONT	1	1	1	1				
25	1	198280-61260	HOOD M ASSY	1	1	1	1				
26	1	198200-61340	NET ASSY, HOOD	1	1	1	1				
27	1	198200-61410	URETHANE, HOOD UPPER	1	1	1	1				
28	1	198200-61420	URETHANE, HOOD LOWER	1	1	1	1				
29	1	198200-61430	URETHANE, HOOD LOWER	1	1	1	1				
30	1	194420-61640	SCREW M 5X 16	4	4	4	4				
31	1	194420-61640	SCREW M 5X 16	4	4	4	4				
32	1	198133-61950	RUBBER 950	1	1	1	1				
33	1	198421-65030	MARK 50,"YANMAR"	1	1	1	1				
34	1	194555-65130	CUSHION	2	2	2	2				
35	1	194940-65590	MARK, TOP	1	1	1	1				
36	1	198071-65610	NUT, M5	2	2	2	2				
37	1	198093-82510	BOLT M8X25,COLLAR	1	1	1	1				
38	1	22137-060000	WASHER 6, POLISHED	4	4	4	4				
39	1	22137-080000	WASHER 8, POLISHED	2	2	2	2				
40	1	22372-100000	SNAP PIN 10	1	1	1	1				
41	1	22487-100500	PIN 10X 50	1	1	1	1				
42	1	26021-050122	SCREW M 5X 12	2	2	2	2				
43	1	26106-060082	BOLT M 6X 8 PLATED	2	2	2	2				
44	1	26106-060122	BOLT M 6X 12 PLATED	4	4	4	4				
45	1	26106-060122	BOLT M 6X 12 PLATED	2	2	2	2				
46	1	26106-060162	BOLT M 6X 16 PLATED	4	4	4	4				
47	1	26106-080162	BOLT M 8X 16 PLATED	1	1	1	1				
48	1	26557-060302	SCREW M 6X 30	4	4	4	4				
49	1	26587-040202	SCREW M 4X 20	2	2	2	2				
50	1	26716-040002	NUT M 4	2	2	2	2				
51	1	194151-04260	GASKET, RUBBER	2	2	2	2				
52	1	194990-22140	NUT W/WASHER 8	2	2	2	2				
53	1	194990-22140	NUT W/WASHER 8	2	2	2	2				
54	1	198200-61250	LOCK ASSY, HOOD	1	1	1	1				

++ CONTINUE ++

Fig.82. HOOD

(A)=EF227EH (D)=EF235EH
 (B)=EF230EH (E)=
 (C)=EF233EH (F)=

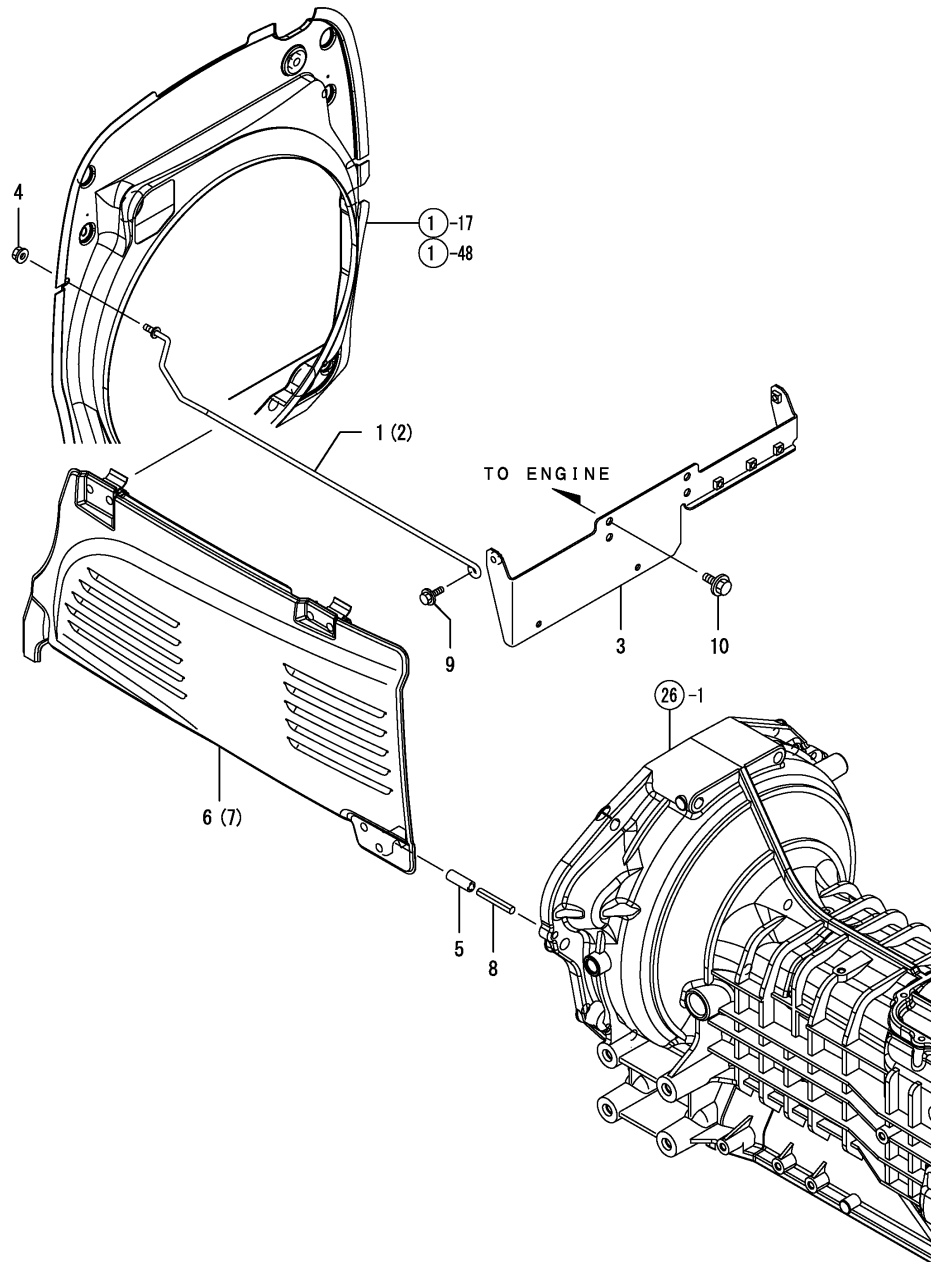


REF.	LEV.	PARTS NO.	DESCRIPTION	QTY						I	R
				(A)	(B)	(C)	(D)	(E)	(F)		
55	1	198200-61320	SEAL, HOOD LOCK	1	1	1	1				
56	1	198200-61490	GROMMET, 8	1	1	1	1				
57	1	198280-61500	SUPPORT, BATTERY	1	1	1	1				
58	1	198200-61530	ROD, BATTERY CLAMP	2	2	2	2				
59	1	198200-61580	CLAMP, BATTERY	1	1	1	1				
60	1	198230-61960	SPRING	1	1	1	1				
61	1	26106-100302	BOLT M10X 30 PLATED	2	2	2	2				
62	1	26716-080002	NUT M 8	2	2	2	2				
63	1	198200-61400	STAND ASSY	1	1	1	1				
64	1	198200-61550	STOPPER, STAND	3	3	3	3				
65	1	22137-080000	WASHER 8, POLISHED	1	1	1	1				
66	1	22190-080000	SEAL WASHER 8(BOLT)	2	2	2	2				
67	1	22372-080000	SNAP PIN (JASO 8)	2	2	2	2				
68	1	22487-080300	PIN 8X 30	1	1	1	1				

Remarks
 (1) FOR TYPE ROPS

Fig.83. SIDE COVER

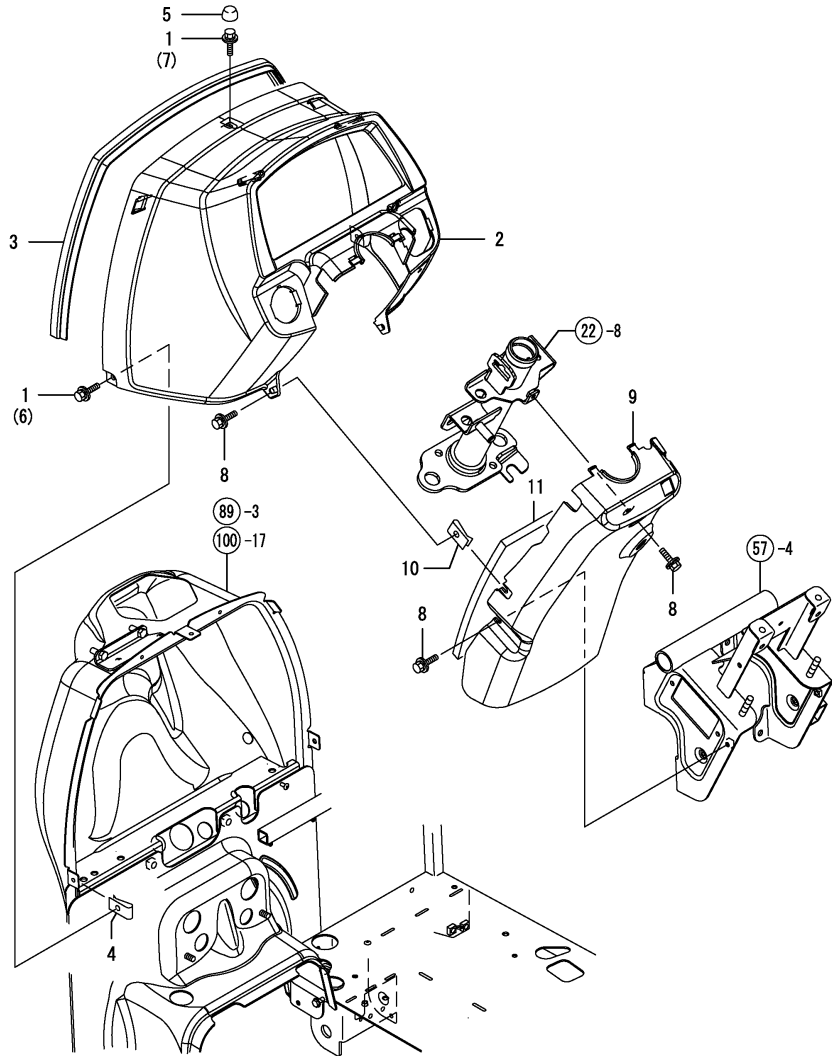
(A)=EF227EH (D)=EF235EH
 (B)=EF230EH (E)=
 (C)=EF233EH (F)=



REF.	LEV.	PARTS NO.	DESCRIPTION	QTY						I	R
				(A)	(B)	(C)	(D)	(E)	(F)		
1	1	198200-01570	STAY ASSY, COVER L	1	1	1	1				
2	1	198200-01580	STAY ASSY, COVER R	1	1	1	1				
3	1	198200-01600	STAY ASSY, REAR	1	1	1	1				
4	1	194990-22130	NUT W/WASHER 6	2	2	2	2				
5	1	198200-60990	PIPE,GUARD	2	2	2	2				
6	1	198280-61000	COVER M ASSY, SIDE L	1	1	1	1				
7	1	198280-61010	COVER M ASSY, SIDE R	1	1	1	1				
8	1	22351-080050	SPRING PIN 8X50	2	2	2	2				
9	1	26106-060162	BOLT M 6X 16 PLATED	2	2	2	2				
10	1	26106-080122	BOLT M 8X 12 PLATED	2	2	2	2				

Fig.84. DASHBOARD

(A)=EF227EH (D)=EF235EH
 (B)=EF230EH (E)=
 (C)=EF233EH (F)=



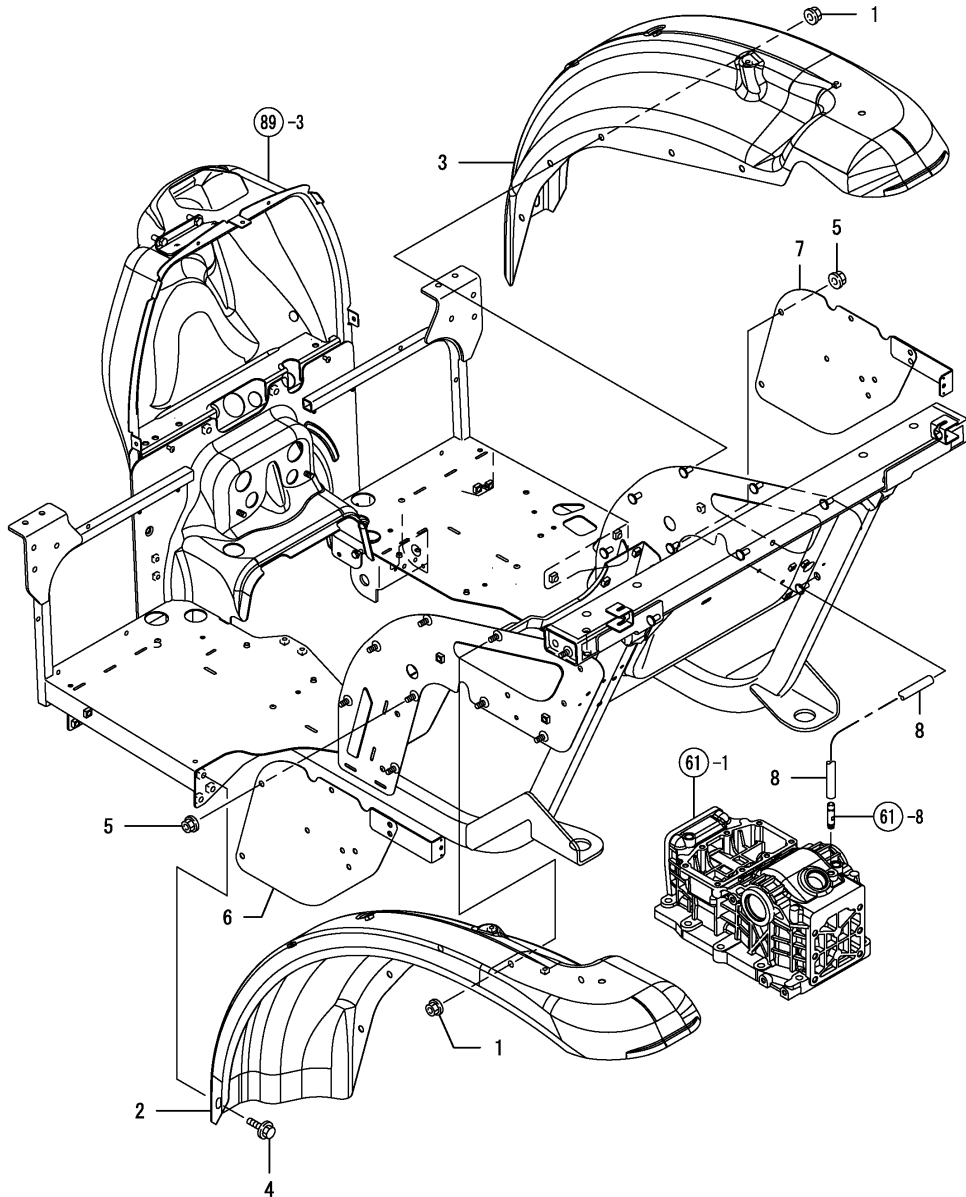
REF.	LEV.	PARTS NO.	DESCRIPTION	QTY						I	R
				(A)	(B)	(C)	(D)	(E)	(F)		
1	1	198072-60590	BOLT M6X20	3	3	3	3				1
2	1	198280-61600	COVER, DUSHBOARD	1	1	1	1				
3	1	198200-61620	TRIM, 920	1	1	1	1				1
4	1	198071-61890	NUT 6,SPEED	3	3	3	3				
5	1	198200-63620	CAP, BOLT	1	1	1	1				
6	1	198072-60590	BOLT M6X20	2	2	2	2				2
7	1	26589-060162	SCREW M6,BINDING	1	1	1	1				2
8	1	198461-60590	BOLT 6* 20	5	5	5	5				
9	1	198200-61670	COVER, COLUMN R	1	1	1	1				
10	1	198071-61890	NUT 6,SPEED	2	2	2	2				
11	1	198208-84590	SEAT, COLUMN COVER	1	1	1	1				2

Remarks
 (1) FOR TYPE ROPS
 (2) FOR TYPE CABIN

Fig.85. FENDER

NPC-4322 85. FENDER

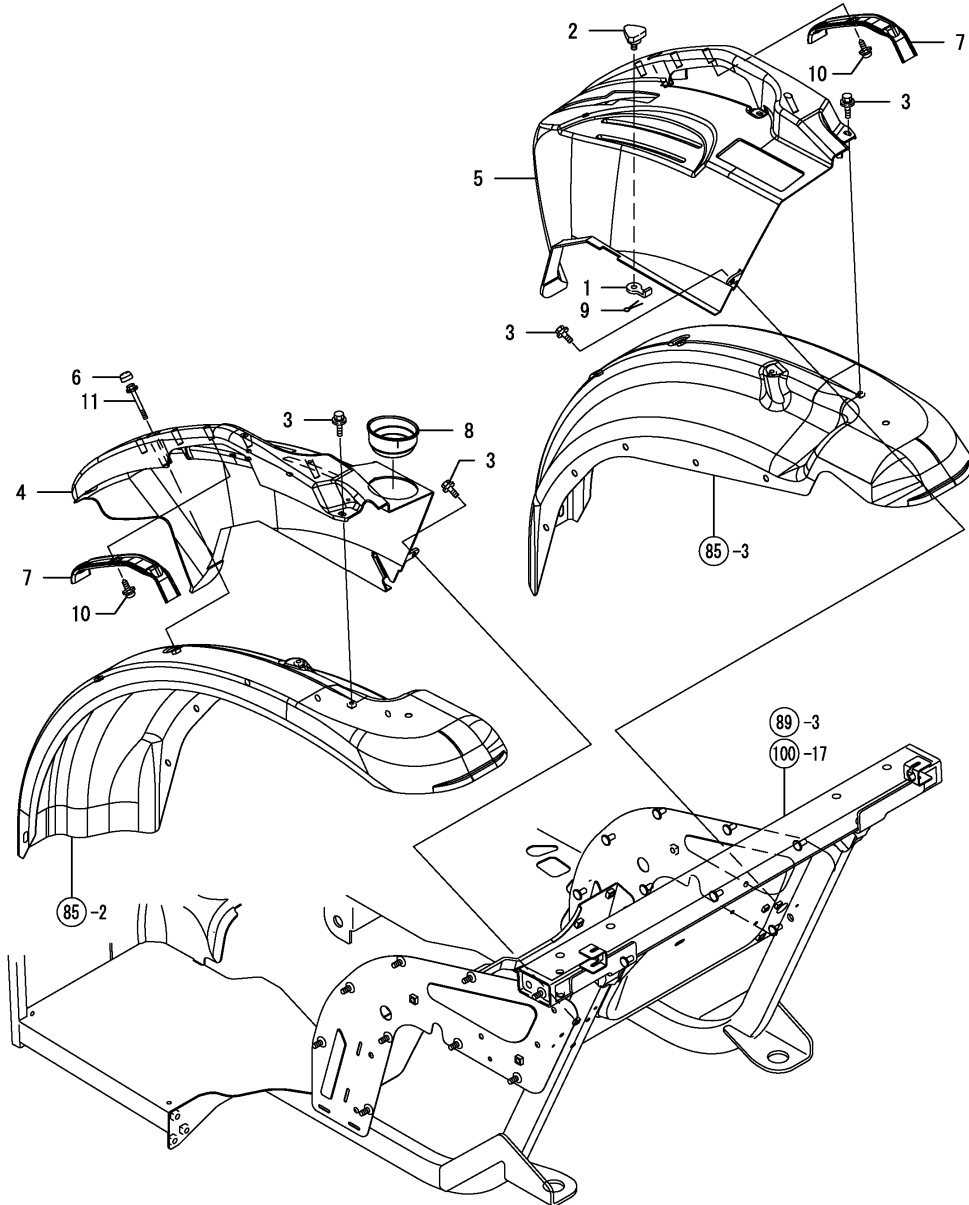
(A)=EF227EH (D)=EF235EH
 (B)=EF230EH (E)=
 (C)=EF233EH (F)=



REF.	LEV.	PARTS NO.	DESCRIPTION	QTY						I	R
				(A)	(B)	(C)	(D)	(E)	(F)		
1	1	194990-22140	NUT W/WASHER 8	10	10	10	10				
2	1	198200-62100	FENDER ASSY L	1	1	1	1				
3	1	198200-62110	FENDER ASSY, R	1	1	1	1				
4	1	26106-080162	BOLT M 8X 16 PLATED	2	2	2	2				
5	1	194990-22140	NUT W/WASHER 8	8	8	8	8				
6	1	198280-62210	COVER, L LOWER	1	1	1	1				
7	1	198280-62220	COVER, R LOWER	1	1	1	1				
8	1	198121-63560	PIPE,AIR-BREATHER320	1	1	1	1				

Fig.86. LEVER GUIDE

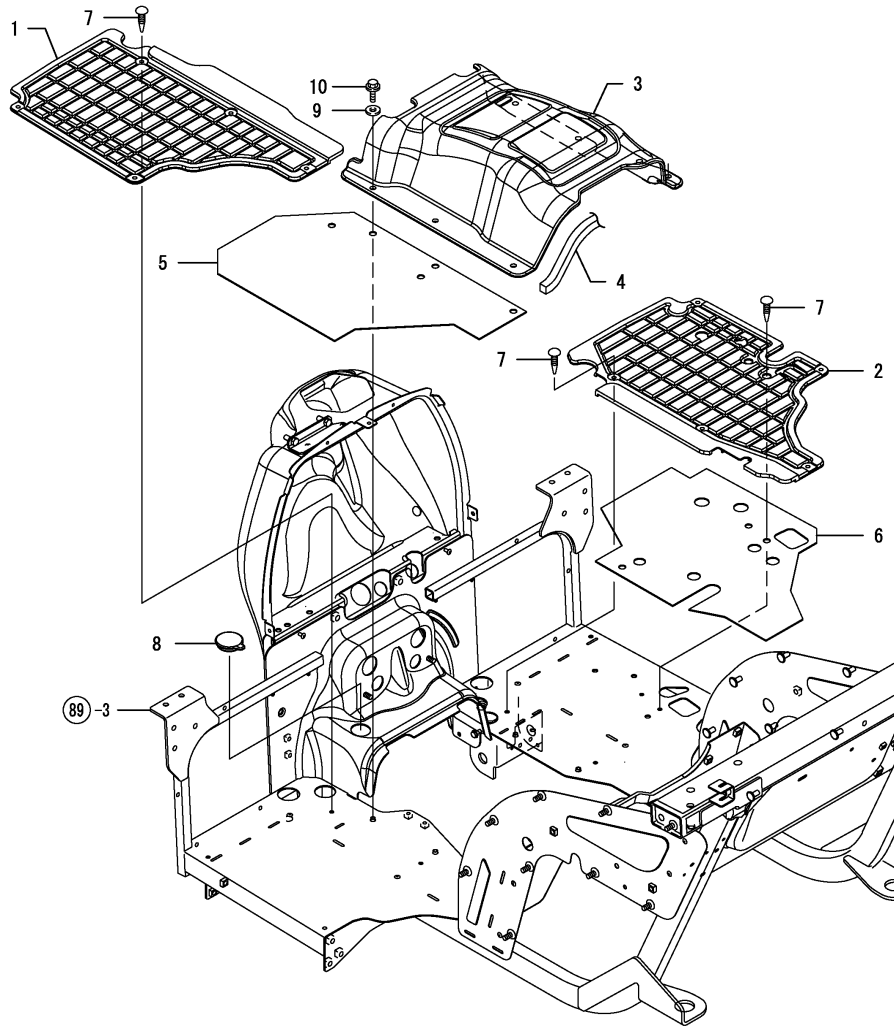
(A)=EF227EH (D)=EF235EH
 (B)=EF230EH (E)=
 (C)=EF233EH (F)=



REF.	LEV.	PARTS NO.	DESCRIPTION	QTY						I	R
				(A)	(B)	(C)	(D)	(E)	(F)		
1	1	198121-47110	STOPPER,POS.LEVER	1	1	1	1				
2	1	194130-47851	KNOB	1	1	1	1				
3	1	198461-60590	BOLT 6* 20	8	8	8	8				
4	1	198280-63500	GUIDE, LEVER L.H.	1	1	1	1				
5	1	198280-63600	GUIDE, LEVER R.H.	1	1	1	1				
6	1	198200-63620	CAP, BOLT	2	2	2	2				
7	1	198200-63640	COVER, GRIP	2	2	2	2				
8	1	198200-63660	HOLDER, CUP	1	1	1	1				
9	1	22417-200200	COTTER PIN 2.0X20	1	1	1	1				
10	1	22857-600160	SCREW 6X16,TAPPING	6	6	6	6				
11	1	26106-060552	BOLT M 6X 55 PLATED	2	2	2	2				

Fig.87. FLOOR COVER

(A)=EF227EH (D)=EF235EH
 (B)=EF230EH (E)=
 (C)=EF233EH (F)=

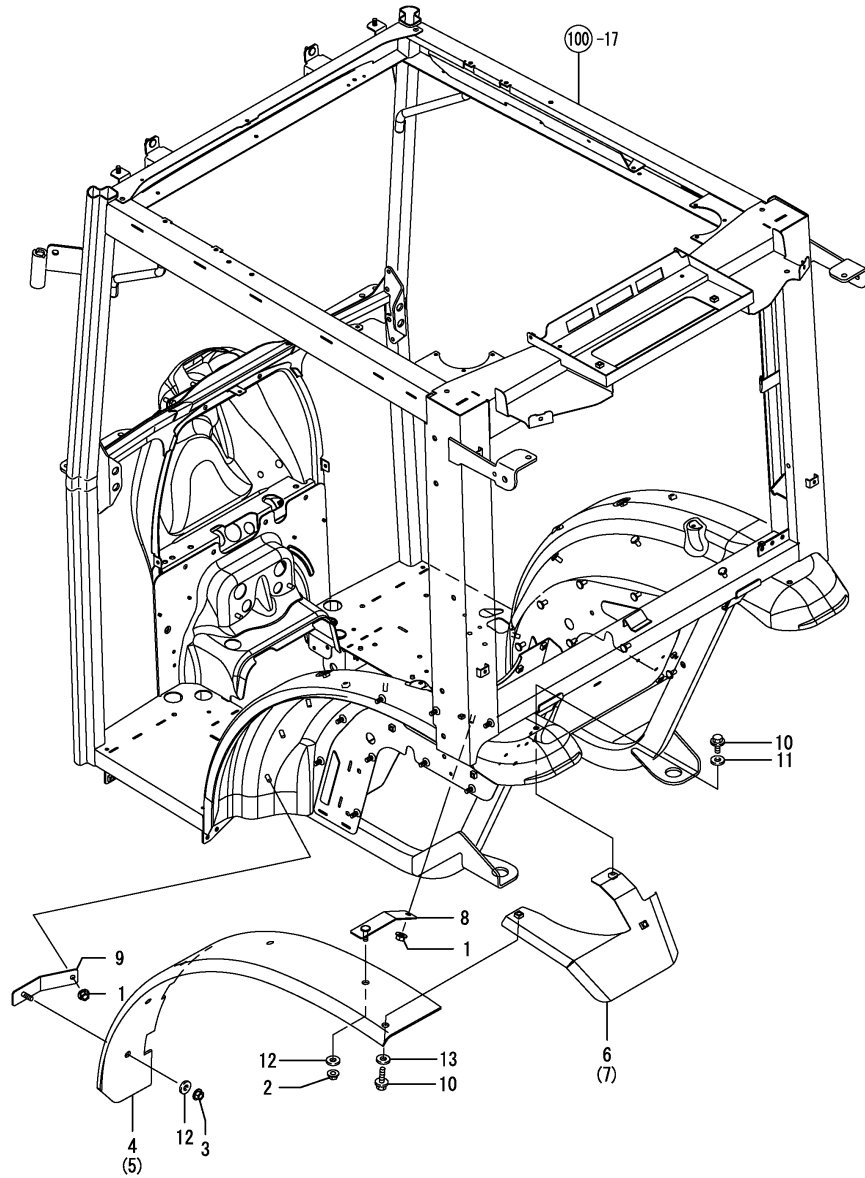


REF.	LEV.	PARTS NO.	DESCRIPTION	QTY						I	R
				(A)	(B)	(C)	(D)	(E)	(F)		
1	1	198200-62320	MAT, FLOOR L.H.	1	1	1	1				
2	1	198280-62330	MAT, FLOOR R.H.	1	1	1	1				
3	1	198280-62350	COVER, FLOOR	1	1	1	1				
4	1	198280-62360	SEAL, A FLOOR	2	2	2	2				
5	1	198287-62360	DAMPING, STEP L	1	1	1	1				1
6	1	198287-62370	DAMPING, STEP R	1	1	1	1				1
7	1	194697-62560	CAP, HOLE	12	12	12	12				
8	1	198094-85710	GROMMET 38	1	1	1	1				
9	1	22157-060000	WASHER 6	6	6	6	6				
10	1	26106-060122	BOLT M 6X 12 PLATED	6	6	6	6				

Remarks
 (1) FOR TYPE ROPS

Fig.88. OVER FENDER

(A)=EF227EH (D)=EF235EH
 (B)=EF230EH (E)=
 (C)=EF233EH (F)=

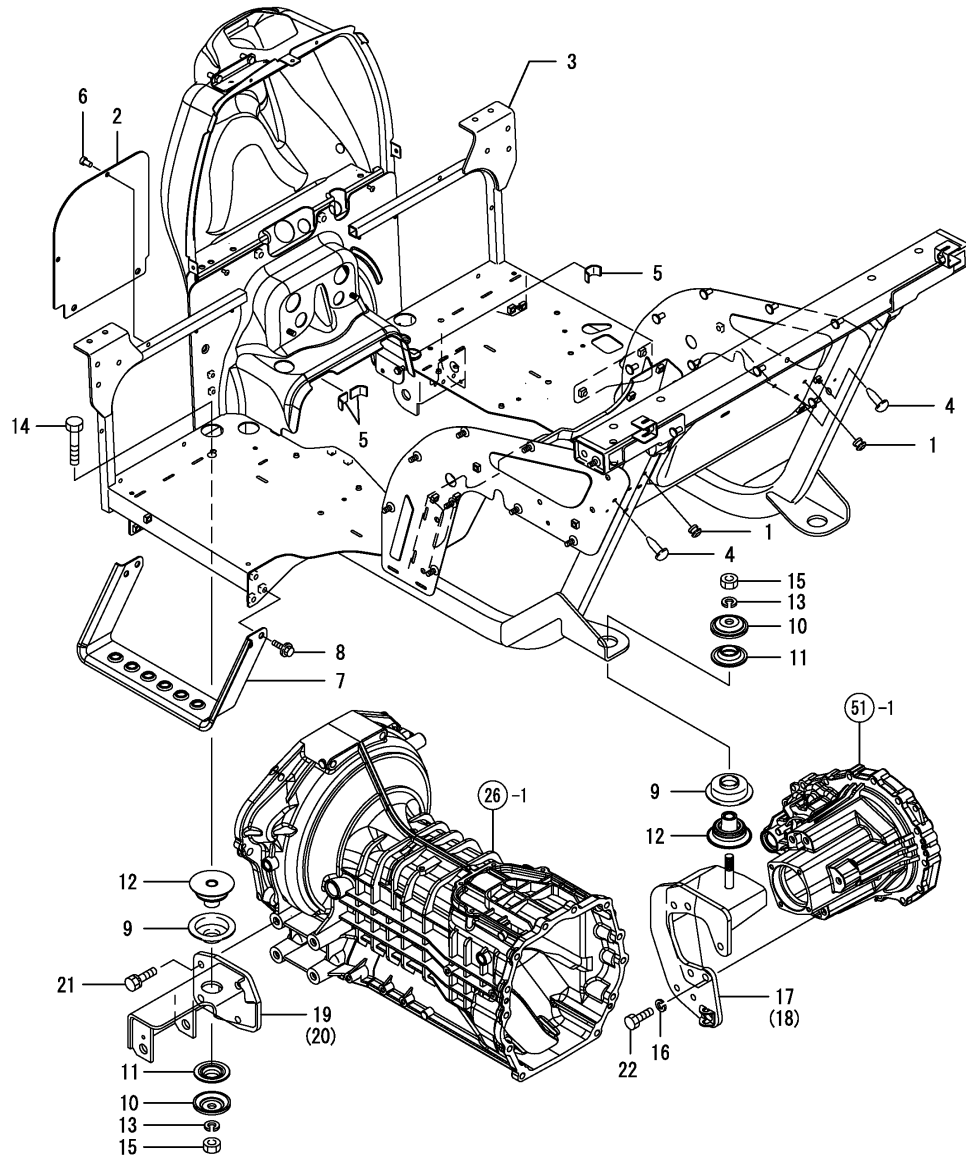


REF.	LEV.	PARTS NO.	DESCRIPTION	QTY						I	R
				(A)	(B)	(C)	(D)	(E)	(F)		
1	1	194990-22140	NUT W/WASHER 8	10	10	10	10				
2	1	194990-22140	NUT W/WASHER 8	2	2	2	2				
3	1	194990-22140	NUT W/WASHER 8	8	8	8	8				
4	1	198287-62210	FENDER, OVER L	1	1	1	1				
5	1	198287-62220	FENDER, OVER R	1	1	1	1				
6	1	198287-62230	FENDER, REAR L	1	1	1	1				
7	1	198287-62240	FENDER, REAR R	1	1	1	1				
8	1	198208-62270	STAY, B OVER FENDER	2	2	2	2				
9	1	198208-62290	STAY, B OVER FENDER	8	8	8	8				
10	1	198460-83350	BOLT M8X16,BC COLLAR	6	6	6	6				
11	1	198255-83550	WASHER 8,BC,PLAIN	2	2	2	2				
12	1	22157-080000	WASHER 8	10	10	10	10				
13	1	22157-080000	WASHER 8	2	2	2	2				

Remarks
 * FIGURE FOR TYPE CABIN

(A)=EF227EH (D)=EF235EH
 (B)=EF230EH (E)=
 (C)=EF233EH (F)=

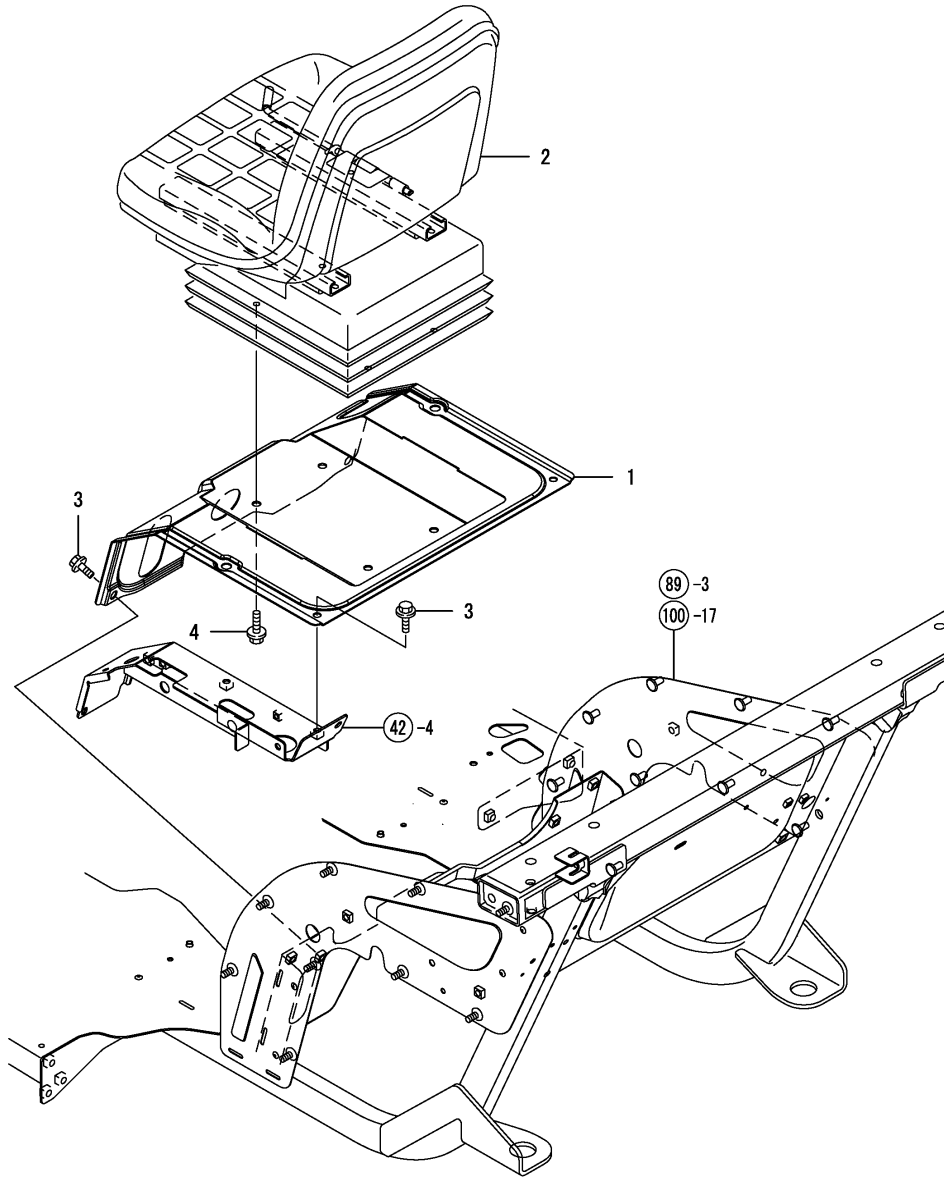
Fig.89. FLOOR



REF.	LEV.	PARTS NO.	DESCRIPTION	QTY						I	R
				(A)	(B)	(C)	(D)	(E)	(F)		
1	1	1C6053-26020	CAP, RUBBER	3	3	3	3				
2	1	198200-62300	GUARD, DUST FOOT	2	2	2	2				
3	1	198280-62490	FLOOR M ASSY	1	1	1	1				
4	1	1E6760-74150	CAP 8,HOLE	2	2	2	2				
5	1	198093-84810	SEAL,FENDER	3	3	3	3				
6	1	197810-84840	RIVET	2	2	2	2				
7	1	198200-62560	SUB-STEP,	1	1	1	1				
8	1	26106-080162	BOLT M 8X 16 PLATED	4	4	4	4				
9	1	198071-62900	STOPPER,MOUNT	4	4	4	4				
10	1	198200-62910	STOPPER, U	4	4	4	4				
11	1	198200-62970	MOUNT, UPPER	4	4	4	4				
12	1	198200-62990	MOUNT, LOWER	4	4	4	4				
13	1	22217-140000	SPRING WASHER 14	4	4	4	4				
14	1	26116-140752	BOLT M14X 75 PLATED	2	2	2	2				
15	1	26716-140002	NUT M14	4	4	4	4				
16	1	194274-13580	SPRING WASHER 12	10	10	10	10				
17	1	198280-62630	MOUNT ASSY, REAR L	1	1	1	1				
18	1	198280-62640	MOUNT ASSY, REAR R	1	1	1	1				
19	1	198280-62850	MOUNT ASSY, FRONT L	1	1	1	1				
20	1	198280-62860	MOUNT ASSY, FRONT R	1	1	1	1				
21	1	26013-120402	BOLT M12X 40	8	8	8	8				
22	1	26116-120402	BOLT M12X 40	10	10	10	10				

(A)=EF227EH (D)=EF235EH
 (B)=EF230EH (E)=
 (C)=EF233EH (F)=

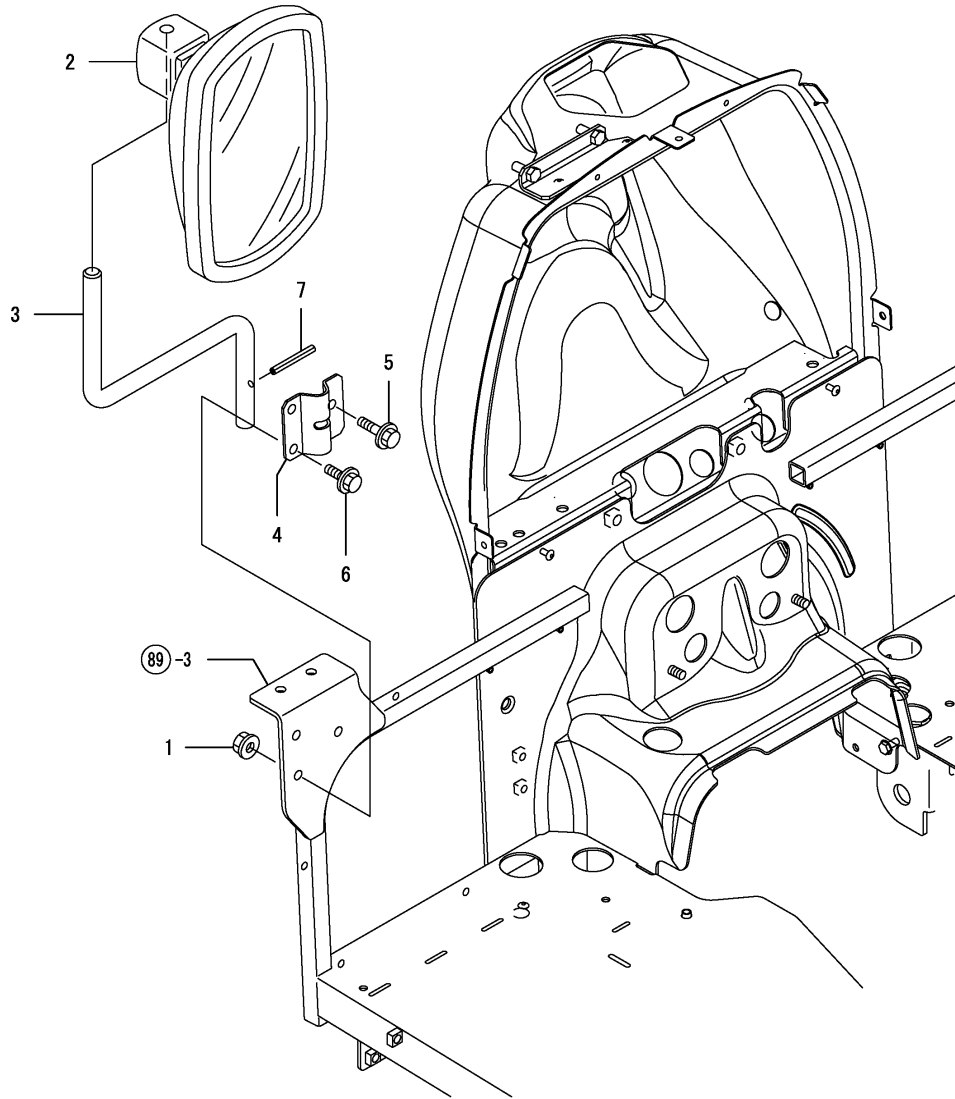
Fig.90. OPERATOR SEAT



REF.	LEV.	PARTS NO.	DESCRIPTION	QTY						I	R
				(A)	(B)	(C)	(D)	(E)	(F)		
1	1	198280-62910	COVER ASSY,DUST B	1	1	1	1				
2	1	198280-63110	SEAT ASSY,	1	1	1	1				
3	1	26106-080122	BOLT M 8X 12 PLATED	6	6	6	6				
4	1	26106-080162	BOLT M 8X 16 PLATED	4	4	4	4				

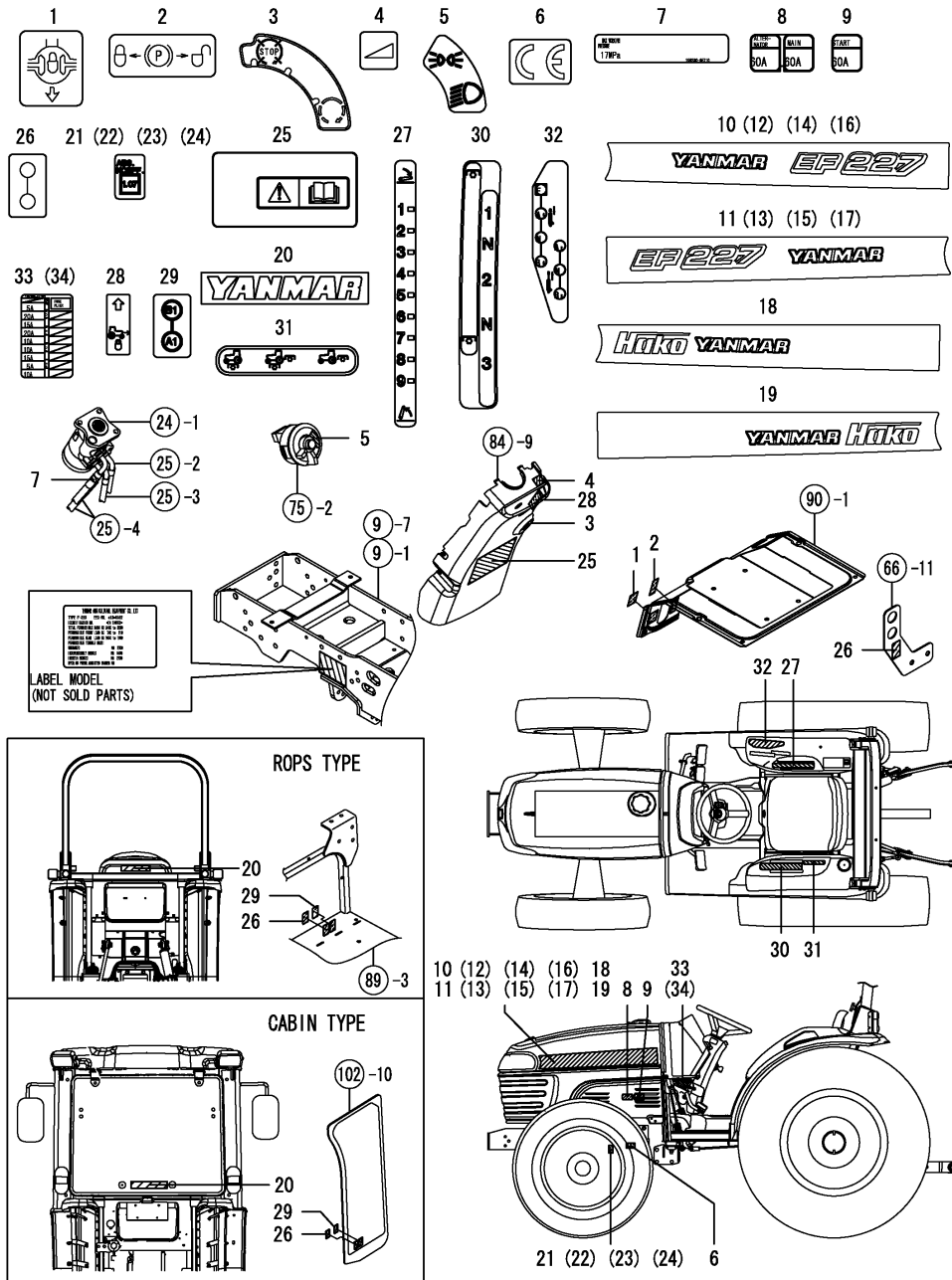
Fig.91. BACK MIRROR

(A)=EF227EH (D)=EF235EH
 (B)=EF230EH (E)=
 (C)=EF233EH (F)=



REF.	LEV.	PARTS NO.	DESCRIPTION	QTY						I	R
				(A)	(B)	(C)	(D)	(E)	(F)		
1	1	194990-22140	NUT W/WASHER 8	1	1	1	1				
2	1	1A7100-64110	MIRROR ASSY	1	1	1	1				
3	1	198280-64120	SHAFT, MIRROR	1	1	1	1				
4	1	198280-64150	STAY, MIRROR	1	1	1	1				
5	1	198093-82510	BOLT M8X25,COLLAR	1	1	1	1				
6	1	198460-83350	BOLT M8X16,BC COLLAR	2	2	2	2				
7	1	22351-060032	SPRING PIN 6X32	1	1	1	1				

Fig.92. LABELS



(A)=EF227EH (D)=EF235EH
 (B)=EF230EH (E)=
 (C)=EF233EH (F)=

REF.	LEV.	PARTS NO.	DESCRIPTION	QTY						I	R
				(A)	(B)	(C)	(D)	(E)	(F)		
1	1	194240-65441	LABEL, DIFF. LOCK	1	1	1	1				
2	1	198036-65470	LABEL, BRAKE LOCK	1	1	1	1				
3	1	1A6640-65510	LABEL,KEY SWITCH	1	1	1	1				
4	1	1A6640-65530	LABEL,THROTTLE	1	1	1	1				
5	1	198280-65580	LABEL,	1	1	1	1				
6	1	198165-65590	DECAL,CE	1	1	1	1				
7	1	198280-65710	LABEL, H.P. HOSE	4	4	4	4				
8	1	198280-65770	LABEL,	1	1	1	1				
9	1	198280-65790	LABEL,	1	1	1	1				
10	1	198280-65110	LABEL, NAME	1							
11	1	198280-65120	LABEL, NAME	1							
12	1	198282-65110	LABEL, NAME		1						
13	1	198282-65120	LABEL, NAME		1						
14	1	198284-65110	LABEL, NAME			1					
15	1	198284-65120	LABEL, NAME			1					
16	1	198287-65110	LABEL, NAME						1		
17	1	198287-65120	LABEL, NAME						1		
18	1	198280-65160	LABEL, NAME HAKO L	1	1	1	1				
19	1	198280-65170	LABEL, NAME HAKO R	1	1	1	1				
20	1	198208-65890	LABEL, ROOF	1	1	1	1				
21	1	198280-65570	LABEL,	1							
22	1	198282-65570	LABEL,		1						
23	1	198284-65570	LABEL,			1					
24	1	198287-65570	LABEL,						1		
25	1	198280-65300	LABEL,OPERATION G	1	1	1	1				
26	1	1A6641-65470	LABEL, SCV REAR	2	2	2	2				
27	1	198280-65510	LABEL, POSITION	1	1	1	1				
28	1	198280-65630	LABEL,	1	1	1	1				
29	1	198280-65640	LABEL,SCV COUPLER	1	1	1	1				
30	1	198280-65660	LABEL, RANGE-PTO	1	1	1	1				
31	1	198280-65670	LABEL, MBR	1	1	1	1				
32	1	198280-65680	LABEL,	1	1	1	1				
33	1	198280-65780	LABEL,	1	1	1	1				
34	1	198287-65780	LABEL,	1	1	1	1				

Fig.93. LABELS(SAFETY)

(A)=EF227EH (D)=EF235EH
 (B)=EF230EH (E)=
 (C)=EF233EH (F)=

REF.	LEV.	PARTS NO.	DESCRIPTION	QTY						I	R
				(A)	(B)	(C)	(D)	(E)	(F)		
1	1	198163-65310	LABEL, SAFETY	1	1	1	1				
2	1	198163-65350	DANGER,ROTAT.SHAFT	1	1	1	1				
3	1	198163-65930	CAUTION,MUFFLER	1	1	1	1				
4	1	198163-65940	CAUTION,SAFETY COVER	2	2	2	2				
5	1	1A6150-91251	LABEL,RAKE CAUTION	1	1	1	1				
6	1	1A6150-93151	LABEL,COVER	1	1	1	1				
7	1	198280-65610	LABEL,3P	1	1	1	1				

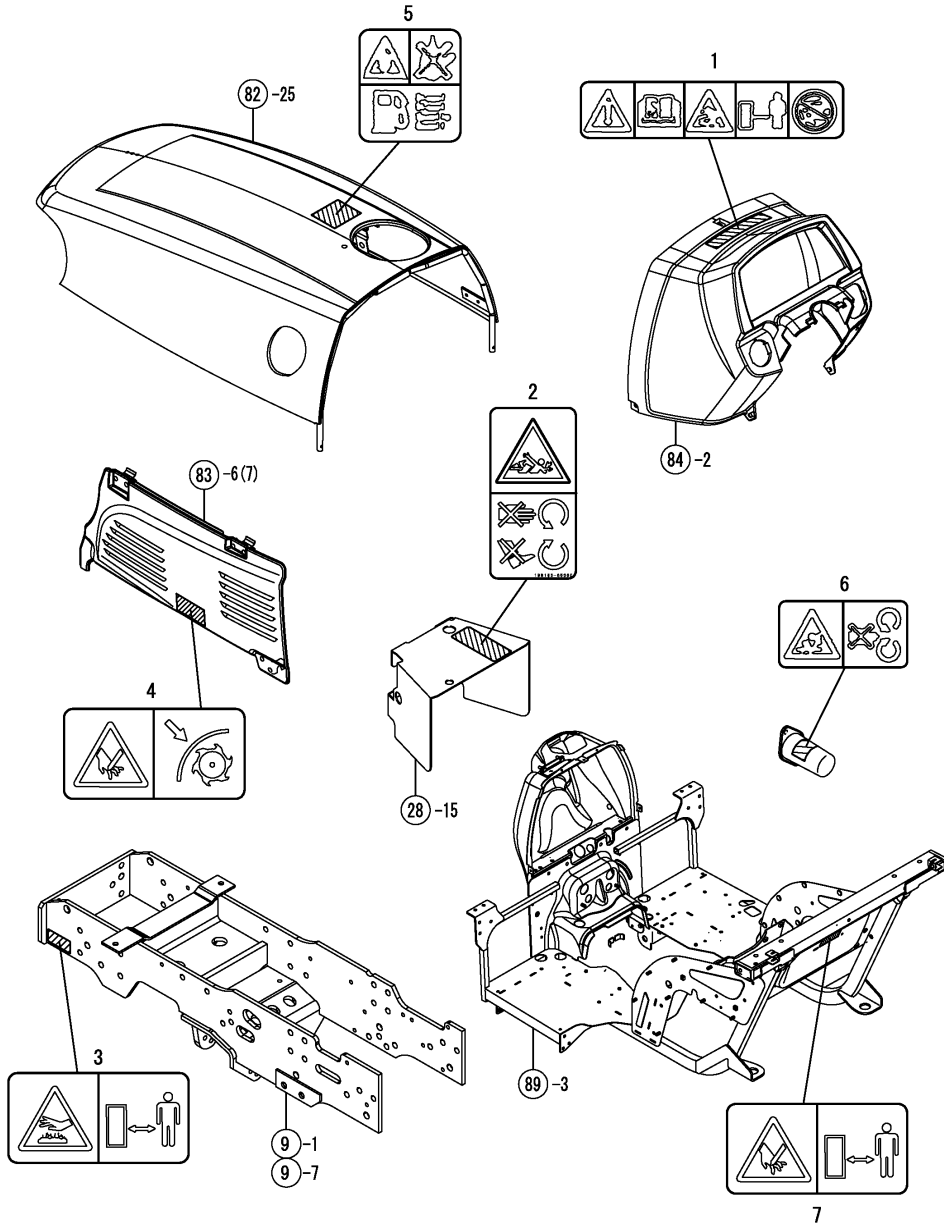
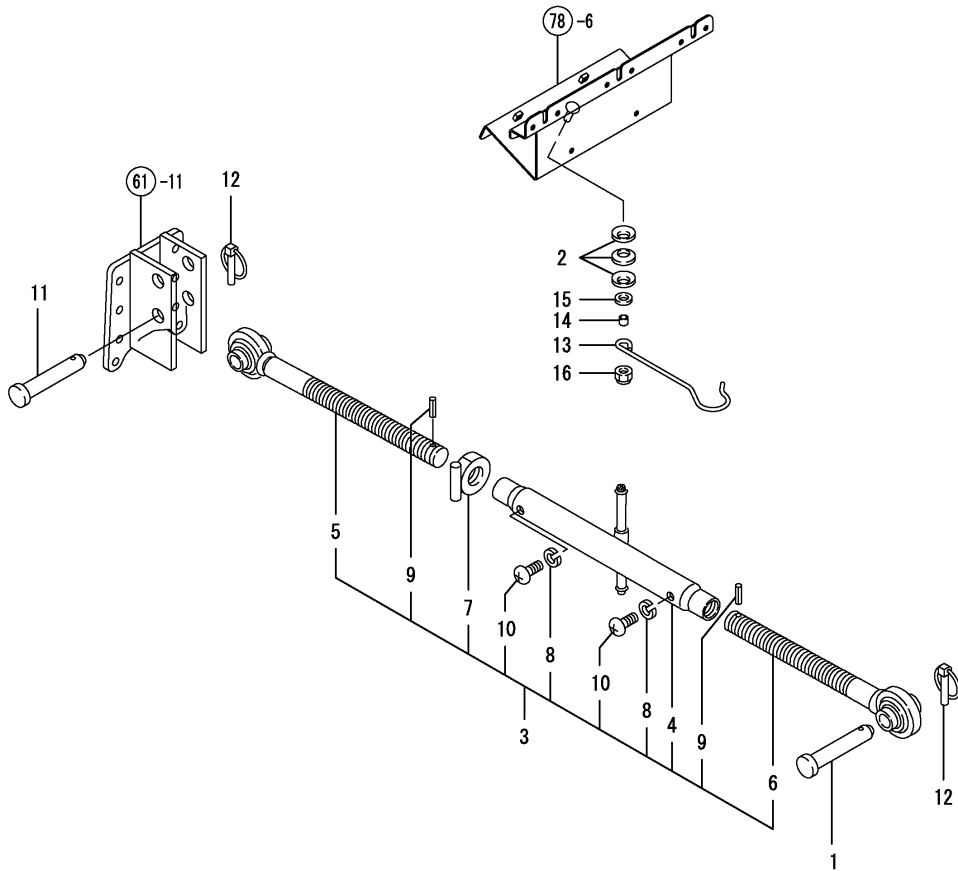


Fig.94. TOP LINK

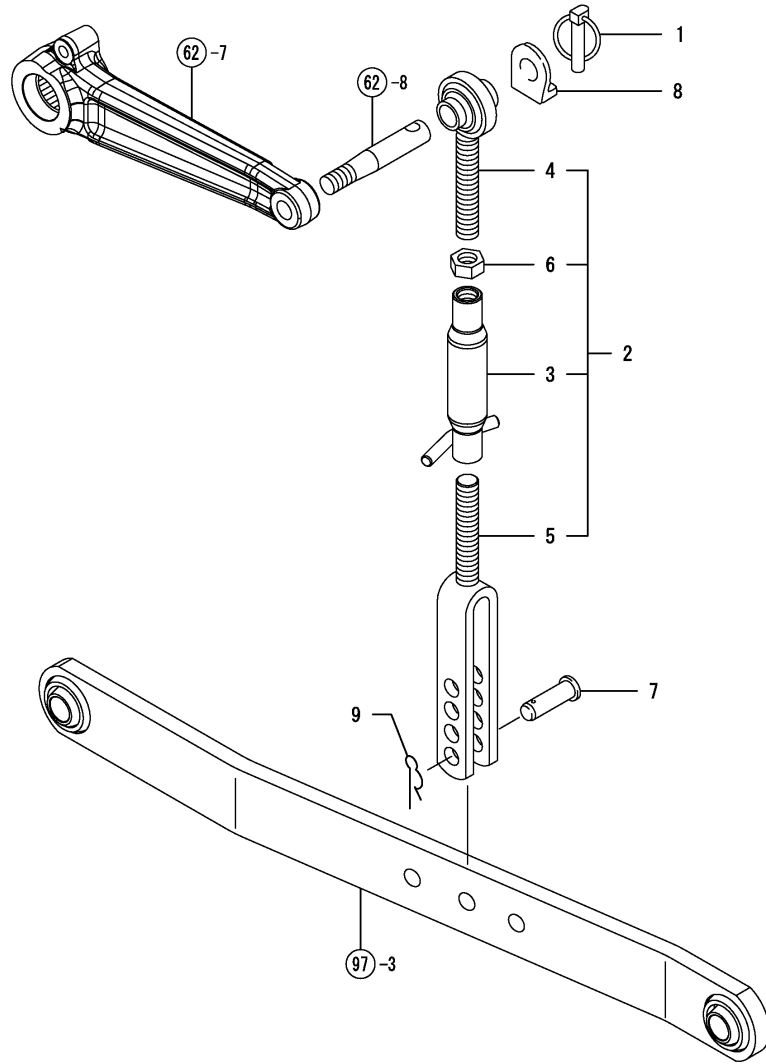
(A)=EF227EH (D)=EF235EH
 (B)=EF230EH (E)=
 (C)=EF233EH (F)=



REF.	LEV.	PARTS NO.	DESCRIPTION	QTY						I	R
				(A)	(B)	(C)	(D)	(E)	(F)		
1	1	195080-15060	PIN, HITCH	1	1	1	1				
2	1	198072-18320	SPRING 12	3	3	3	3				
3	1	198220-71100	LINK KIT, TOP	1	1	1	1				
4	2	194275-71500	BODY, TOP LINK	1	1	1	1				
5	2	194145-71600	LINK (R), TOP	1	1	1	1				
6	2	194145-71700	LINK (L), TOP	1	1	1	1				
7	2	198092-71750	NUT 24, CMP	1	1	1	1				
8	2	22217-060000	SPRING WASHER 6	2	2	2	2				
9	2	22351-040024	SPRING PIN 4X24	2	2	2	2				
10	2	26557-060062	SCREW M 6X 6	2	2	2	2				
11	1	194150-71230	PIN, TOP LINK	1	1	1	1				
12	1	198220-71410	PIN ASSY, LOCK	2	2	2	2				
13	1	198280-71710	HOOK, TOP LINK	1	1	1	1				
14	1	198092-71720	COLLAR, 8.1X10.5X9.3	1	1	1	1				
15	1	22137-080000	WASHER 8, POLISHED	1	1	1	1				
16	1	26346-080002	U-NUT M 8 PLATED	1	1	1	1				

(A)=EF227EH (D)=EF235EH
 (B)=EF230EH (E)=
 (C)=EF233EH (F)=

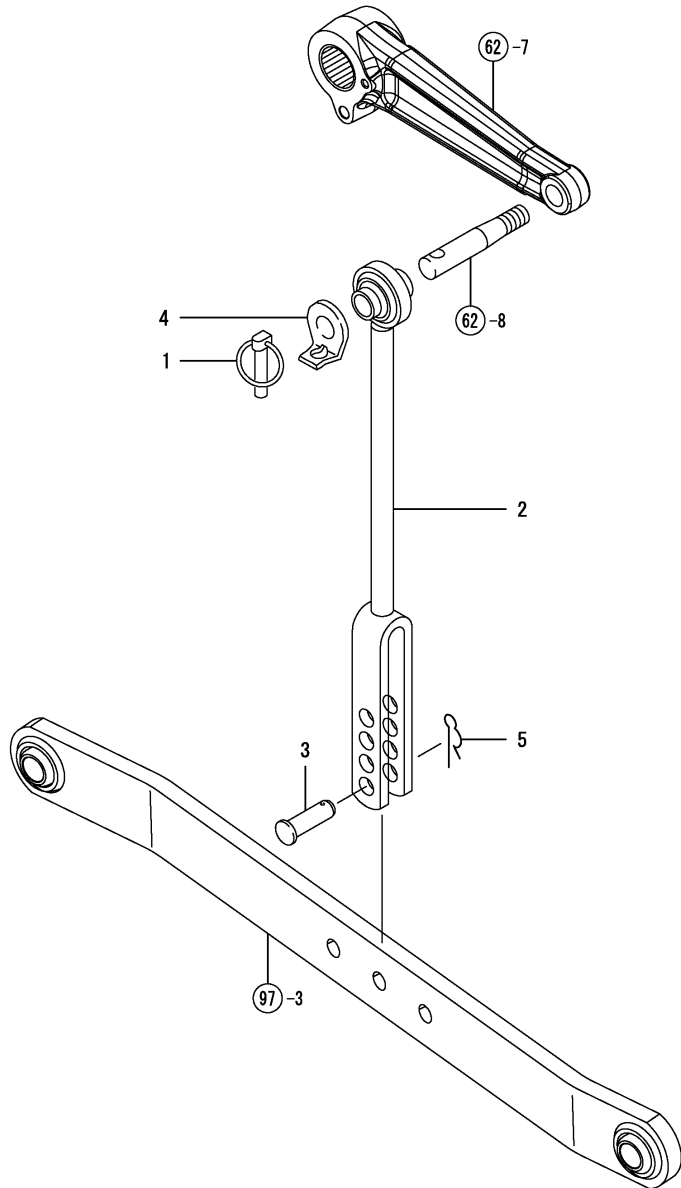
Fig.95. LIFT LINK R



REF.	LEV.	PARTS NO.	DESCRIPTION	QTY						I	R
				(A)	(B)	(C)	(D)	(E)	(F)		
1	1	194130-71410	SOCKET ASSY, BALL	1	1	1	1				
2	1	198200-72101	LINK KIT, LIFT R	1	1	1	1				
3	2	198200-72210	TURNBUCKLE, LIFT LINK	1	1	1	1				
4	2	198200-72250	BOLT ASSY, EYE	1	1	1	1				
5	2	198200-72451	YOKE, LIFT LINK	1	1	1	1				
6	2	26777-180002	NUT, 18	1	1	1	1				
7	1	194150-72460	PIN	1	1	1	1				
8	1	198071-74970	COLLAR, BALL & SOCKET	1	1	1	1				
9	1	22372-160000	SNAP PIN 16	1	1	1	1				

Fig.96. LIFT LINK

(A)=EF227EH (D)=EF235EH
 (B)=EF230EH (E)=
 (C)=EF233EH (F)=



REF.	LEV.	PARTS NO.	DESCRIPTION	QTY						I	R
				(A)	(B)	(C)	(D)	(E)	(F)		
1	1	194130-71410	SOCKET ASSY, BALL	1	1	1	1				
2	1	198200-72300	LINK ASSY, LIFT L.H.	1	1	1	1				
3	1	194150-72460	PIN	1	1	1	1				
4	1	198071-74970	COLLAR,BALL & SOCKET	1	1	1	1				
5	1	22372-160000	SNAP PIN 16	1	1	1	1				

Fig.97. LOWER LINK & CHECK CHAIN

(A)=EF227EH (D)=EF235EH
 (B)=EF230EH (E)=
 (C)=EF233EH (F)=

REF.	LEV.	PARTS NO.	DESCRIPTION	QTY						I	R
				(A)	(B)	(C)	(D)	(E)	(F)		
1	1	794130-71410	PIN ASSY,BALL SOCKET	4	4	4	4				
2	1	198280-73100	LINK & CHAIN KIT,	2	2	2	2				
3	2	198280-73500	LINK ASSY, LOWER	2	2	2	2				
4	2	198280-74100	CHAIN ASSY, CHECK	2	2	2	2				
5	3	198280-74550	HINGE, CHAIN	2	2	2	2				
6	3	194080-74621	SHACKLE	2	2	2	2				
7	3	194080-74631	PIN (SA10), SHACKLE	2	2	2	2				
8	3	198360-74670	TURNBUCKLE, CHAIN	2	2	2	2				
9	3	198121-74720	BOLT	2	2	2	2				
10	3	198280-74800	CHAIN,SWAY(R	2	2	2	2				
11	3	22360-200000	SNAP PIN 20	2	2	2	2				
12	3	22417-320320	COTTER PIN 3.2X32	2	2	2	2				
13	2	22217-140000	SPRING WASHER 14	2	2	2	2				
14	2	26716-140002	NUT M14	2	2	2	2				
15	1	198200-73150	PIN, LOWER LINK	2	2	2	2				
16	1	198200-73210	COLLAR,	2	2	2	2				

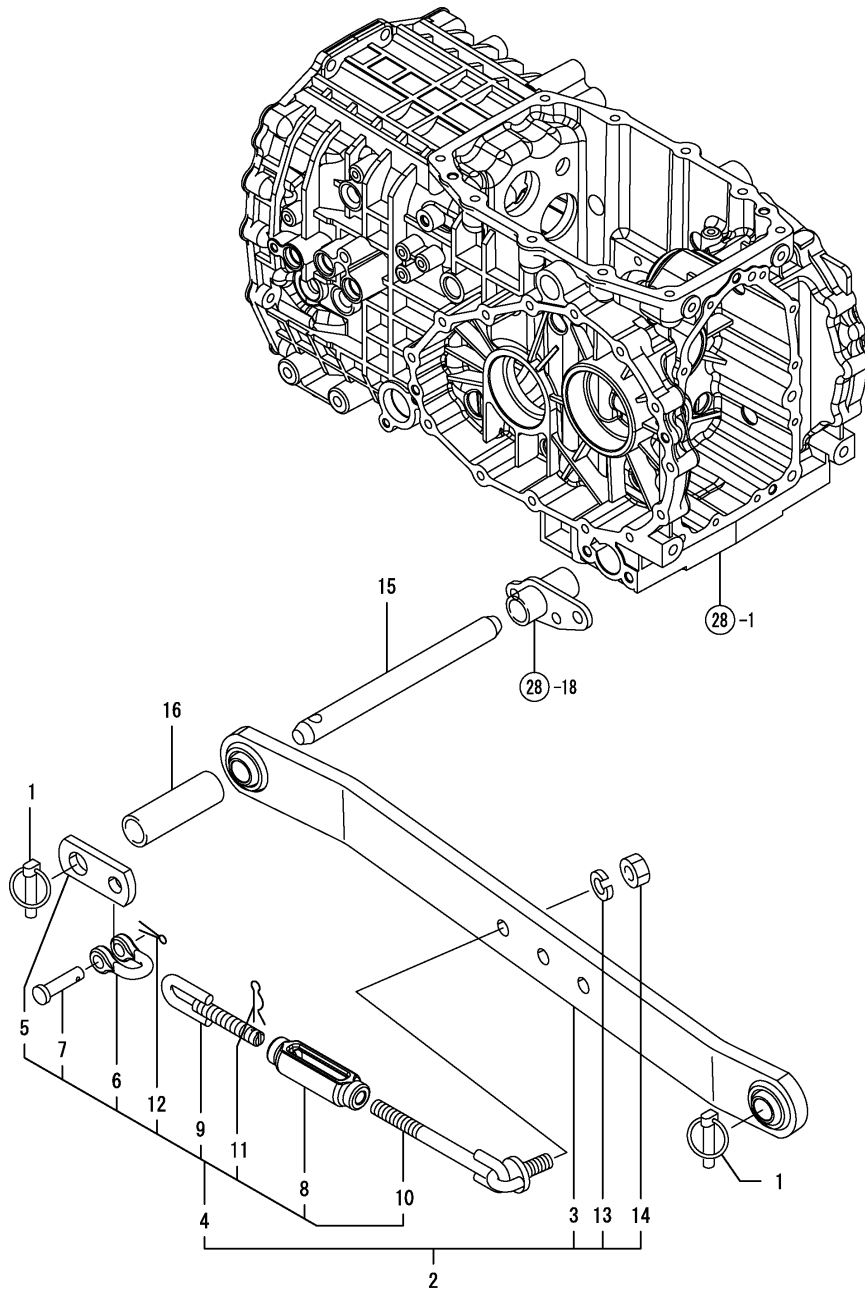
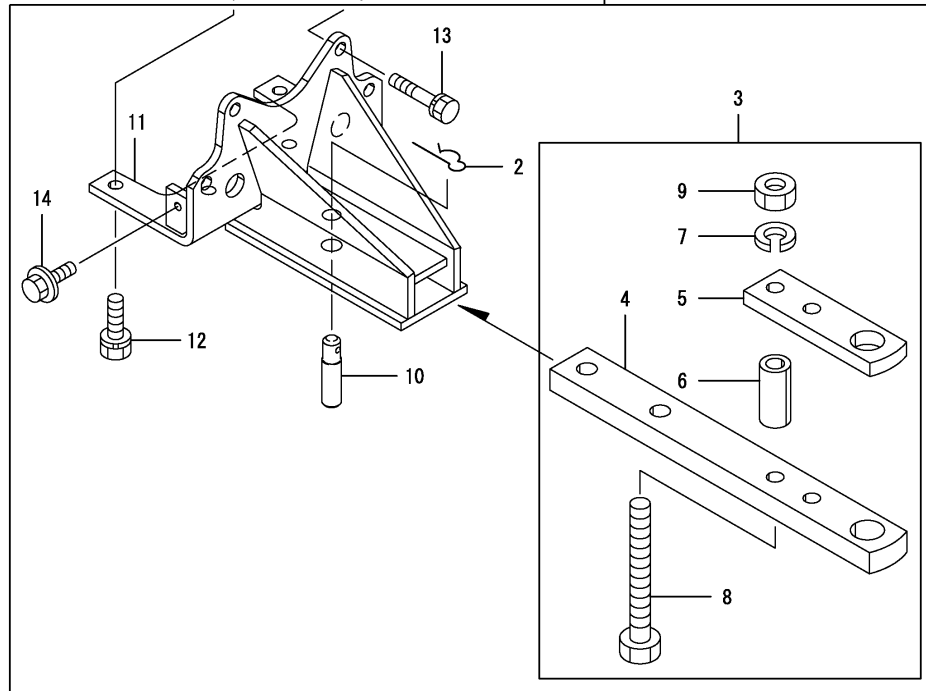
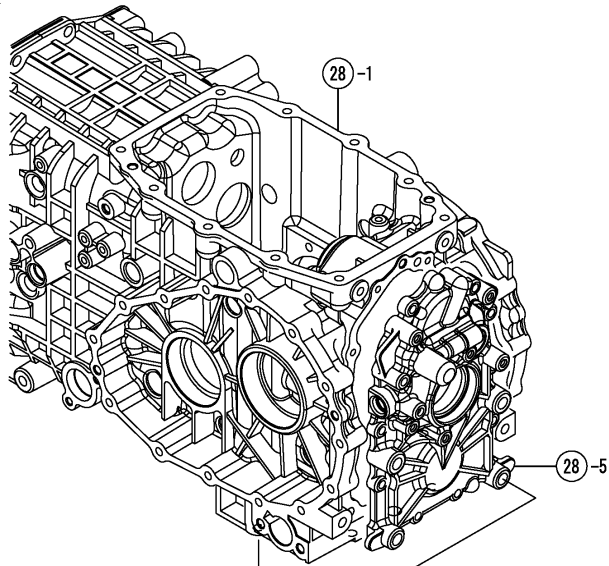


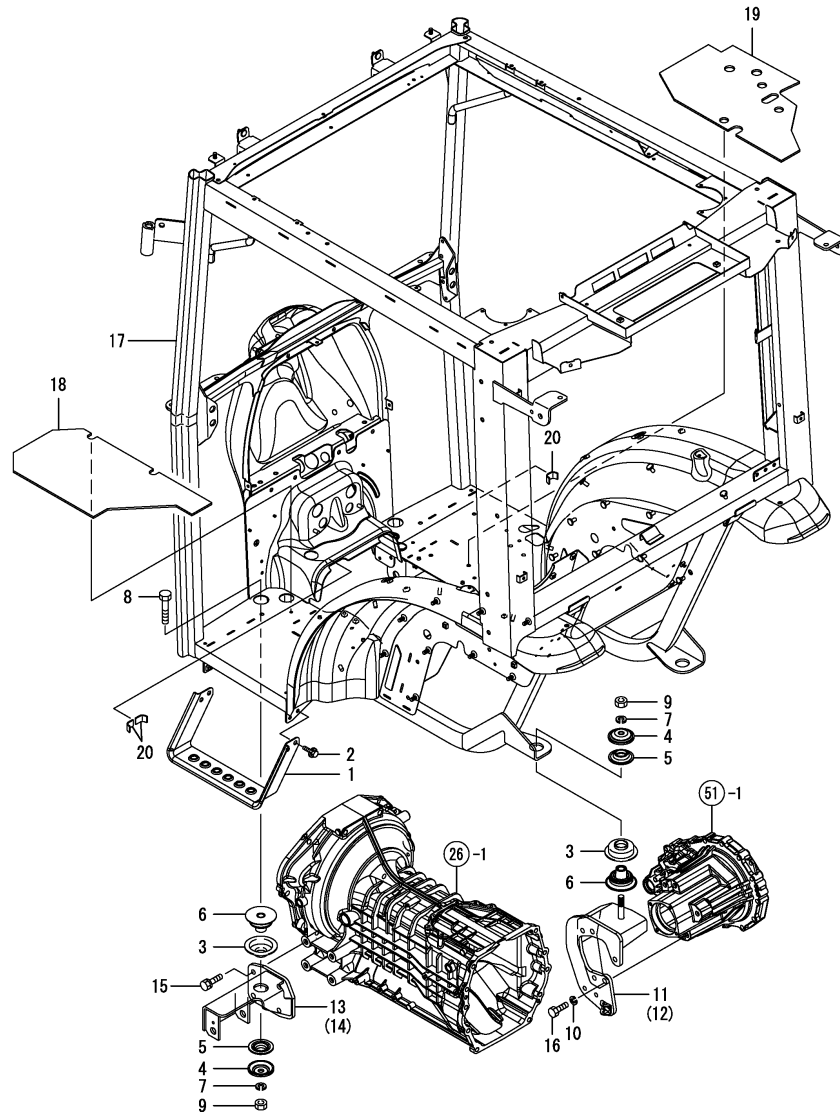
Fig.98. DRAWBAR HITCH

(A)=EF227EH (D)=EF235EH
 (B)=EF230EH (E)=
 (C)=EF233EH (F)=



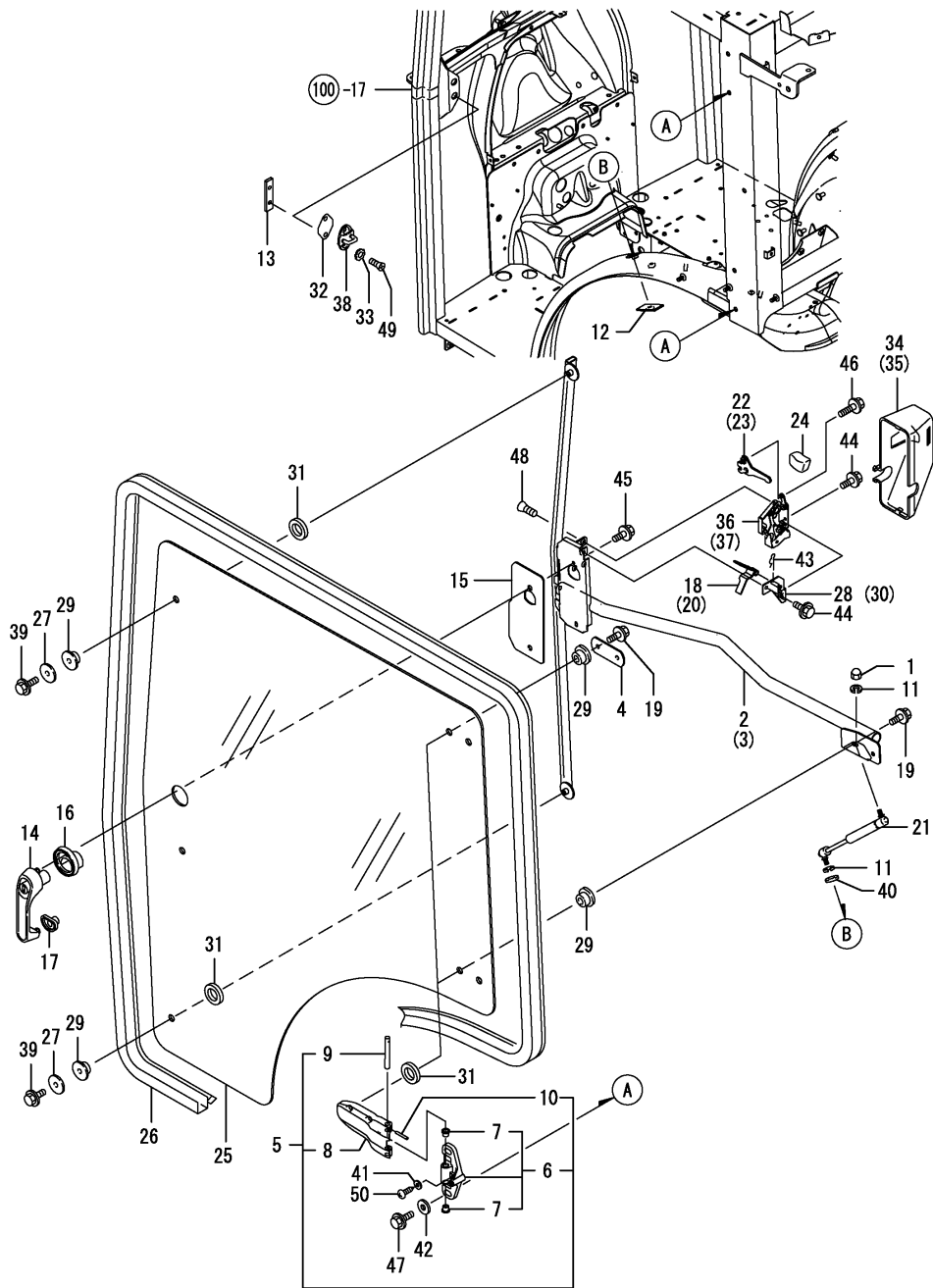
REF.	LEV.	PARTS NO.	DESCRIPTION	QTY						I	R
				(A)	(B)	(C)	(D)	(E)	(F)		
1	1	198280-75700	HITCH KIT,DRAWBER	1	1	1	1				
2	2	195230-17260	PIN 22, SNAP	1	1	1	1				
3	2	198280-75200	DRAWBER ASSY,	1	1	1	1				
4	3	198280-75210	DRAWBER	1	1	1	1				
5	3	198280-75250	PLATE,CLEVIS	1	1	1	1				
6	3	198280-75260	SPACER,CLEVIS	2	2	2	2				
7	3	22217-160000	SPRING WASHER 16	2	2	2	2				
8	3	26116-161302	BOLT M16X130 PLATED	2	2	2	2				
9	3	26716-160002	NUT M16	2	2	2	2				
10	2	198253-75430	PIN, HITCH	1	1	1	1				
11	2	198280-75750	BRACKET ASSY,DRAWBER	1	1	1	1				
12	2	26013-120352	BOLT M12X 35	5	5	5	5				
13	2	26013-120652	BOLT M12X 65	2	2	2	2				
14	2	26106-100202	BOLT M10X 20 PLATED	2	2	2	2				

Fig.100. CABIN FRAME



REF.	LEV.	PARTS NO.	DESCRIPTION	QTY						I	R
				(A)	(B)	(C)	(D)	(E)	(F)		
1	1	198200-62560	SUB-STEP,	1	1	1	1				
2	1	26106-080162	BOLT M 8X 16 PLATED	4	4	4	4				
3	1	198071-62900	STOPPER,MOUNT	4	4	4	4				
4	1	198200-62910	STOPPER, U	4	4	4	4				
5	1	198200-62970	MOUNT, UPPER	4	4	4	4				
6	1	198208-62990	MOUNT, LOWER	4	4	4	4				
7	1	22217-140000	SPRING WASHER 14	4	4	4	4				
8	1	26116-140752	BOLT M14X 75 PLATED	2	2	2	2				
9	1	26716-140002	NUT M14	4	4	4	4				
10	1	194274-13580	SPRING WASHER 12	10	10	10	10				
11	1	198280-62630	MOUNT ASSY, REAR L	1	1	1	1				
12	1	198280-62640	MOUNT ASSY, REAR R	1	1	1	1				
13	1	198280-62850	MOUNT ASSY, FRONT L	1	1	1	1				
14	1	198280-62860	MOUNT ASSY, FRONT R	1	1	1	1				
15	1	26013-120402	BOLT M12X 40	8	8	8	8				
16	1	26116-120402	BOLT M12X 40	10	10	10	10				
17	1	198287-80090	CABIN M ASSY	1	1	1	1				
18	1	198287-84280	DAMPING, L FLOOR	1	1	1	1				
19	1	198287-84290	DAMPING, R FLOOR	1	1	1	1				
20	1	198093-84810	SEAL,FENDER	3	3	3	3				

Fig.101. DOOR

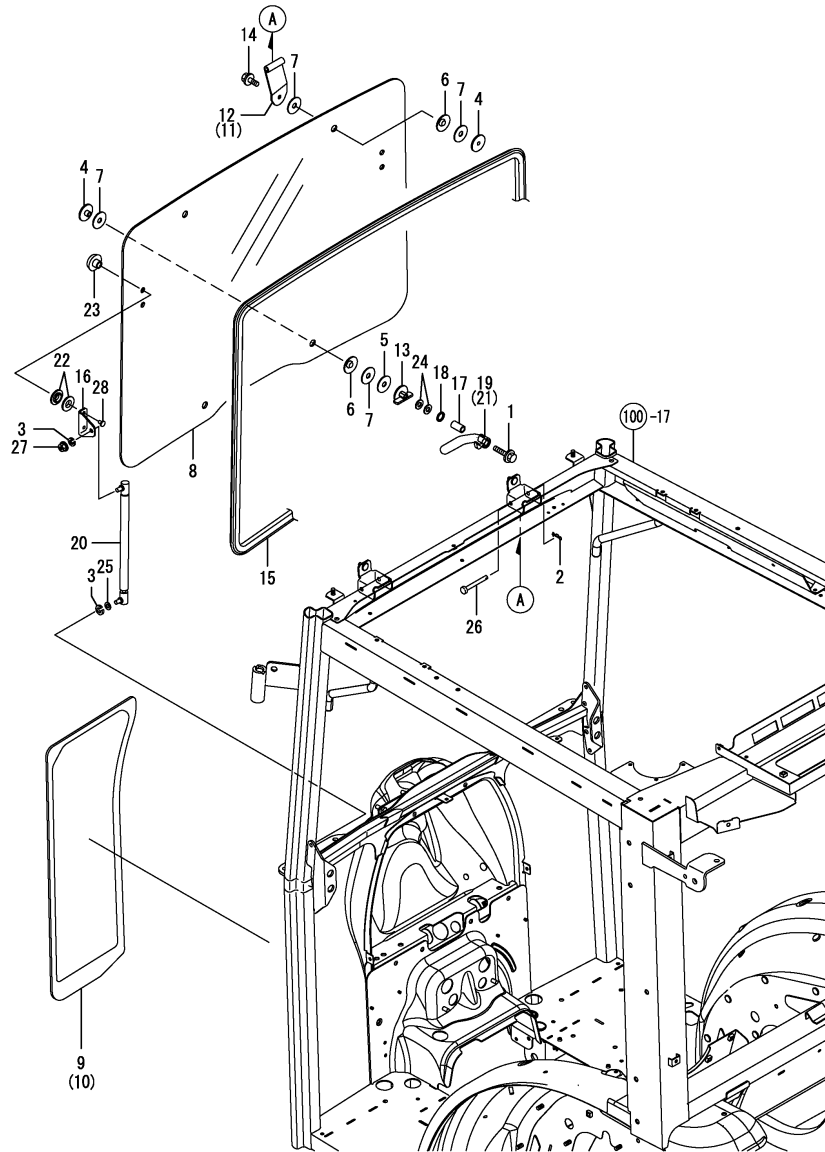


(A)=EF227EH (D)=EF235EH
 (B)=EF230EH (E)=
 (C)=EF233EH (F)=

REF.	LEV.	PARTS NO.	DESCRIPTION	QTY						I	R
				(A)	(B)	(C)	(D)	(E)	(F)		
1	1	194697-47150	NUT M8,HIGH CAP	2	2	2	2				
2	1	198208-82110	FRAME ASSY, DOOR L	1	1	1	1				
3	1	198208-82120	FRAME ASSY, DOOR R	1	1	1	1				
4	1	198492-82150	PLATE, DOOR FRAME	2	2	2	2				
5	1	198208-82200	HINGE ASSY, DOOR	4	4	4	4				
6	2	198208-82220	HINGE B ASSY, DOOR	4	4	4	4				
7	3	1C1011-33990	BUSH 10,COLLAR	8	8	8	8				
8	2	198208-82250	HINGE, A DOOR	4	4	4	4				
9	2	198208-82260	PIN, DOOR HINGE	4	4	4	4				
10	2	22351-030020	SPRING PIN 3X20	4	4	4	4				
11	1	198268-82270	SPRING WASHER 8	4	4	4	4				
12	1	198208-82320	STAY, DOOR DAMPER	2	2	2	2				
13	1	198463-82350	PLATE, DOOR LOCK	2	2	2	2				
14	1	1A7320-82400	HANDLE ASSY, OUTER	2	2	2	2				
15	1	1A7320-82440	GASKET, LATCH COVER	2	2	2	2				
16	1	198153-82470	PACKING A,HANDLE	2	2	2	2				
17	1	198153-82480	PACKING B,HANDLE	2	2	2	2				
18	1	1A7320-82510	LEVER, OPEN OUTSIDE	1	1	1	1				
19	1	198093-82510	BOLT M8X25,COLLAR	8	8	8	8				
20	1	1A7320-82520	LEVER, OPEN OUTSIDE	1	1	1	1				
21	1	198463-82550	DAMPER, GAS DOOR	2	2	2	2				
22	1	1A7320-82570	LEVER, DOOR INSIDE L	1	1	1	1				
23	1	1A7320-82580	LEVER, DOOR INSIDE R	1	1	1	1				
24	1	198492-82590	KNOB, DOOR HANDLE	2	2	2	2				
25	1	198287-82610	GLASS, DOOR	2	2	2	2				
26	1	198287-82630	WEATHER-STRIP, DG	2	2	2	2				
27	1	198255-82640	STAY,HINGE PLATE	4	4	4	4				
28	1	1A7320-82650	BRACKET, LEVER L.H.	1	1	1	1				
29	1	198255-82650	RUBBER A,GL.CUSHION	12	12	12	12				
30	1	1A7320-82660	BRACKET, LEVER R.H.	1	1	1	1				
31	1	198255-82660	RUBBER B,GL.CUSHION	12	12	12	12				
32	1	198255-82690	SPACER,STRIKER	2	2	2	2				
33	1	198255-82700	WASHER 8	4	4	4	4				
34	1	1A7320-82710	COVER, LATCH L.H.	1	1	1	1				
35	1	1A7320-82720	COVER, LATCH R.H.	1	1	1	1				
36	1	1A7320-82750	LOCK ASSY, DOOR L.H.	1	1	1	1				
37	1	1A7320-82760	LOCK ASSY, DOOR R.H.	1	1	1	1				
38	1	1A7320-82770	STRIKER, DOOR LOCK	2	2	2	2				
39	1	198460-83350	BOLT M8X16,BC COLLAR	4	4	4	4				
40	1	198255-83550	WASHER 8,BC,PLAIN	2	2	2	2				
41	1	22117-060000	WASHER 6	4	4	4	4				
42	1	22137-100000	WASHER 10,POLISHED	8	8	8	8				
43	1	22372-080000	SNAP PIN (JASO 8)	2	2	2	2				
44	1	26106-060122	BOLT M 6X 12 PLATED	4	4	4	4				
45	1	26106-060122	BOLT M 6X 12 PLATED	4	4	4	4				
46	1	26106-060252	BOLT M 6X 25 PLATED	2	2	2	2				
47	1	26106-100252	BOLT M10X 25 PLATED	8	8	8	8				
48	1	26577-060202	SCREW M 6X 20	6	6	6	6				
49	1	26577-080252	SCREW M 8X 25	4	4	4	4				
50	1	26587-060122	SCREW M 6X 12	4	4	4	4				

Fig.102. FRONT WINDOW

(A)=EF227EH (D)=EF235EH
 (B)=EF230EH (E)=
 (C)=EF233EH (F)=

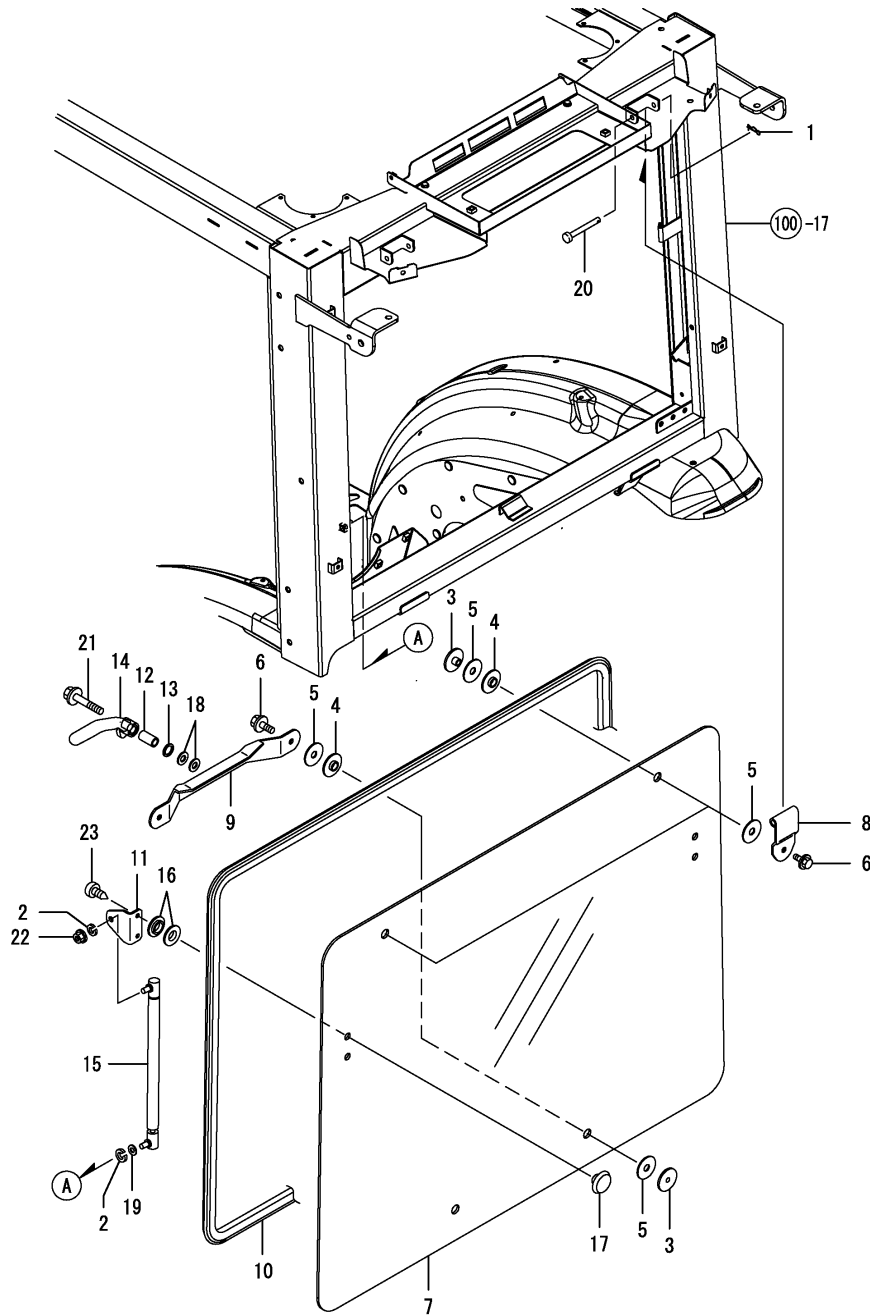


REF.	LEV.	PARTS NO.	DESCRIPTION	QTY						I	R
				(A)	(B)	(C)	(D)	(E)	(F)		
1	1	194697-28270	BOLT M8X35,COLLAR HD	2	2	2	2				
2	1	1C6281-52310	PIN 6,COME-OFF SNAP	2	2	2	2				
3	1	198268-82270	SPRING WASHER 8	4	4	4	4				
4	1	198094-82550	BOLT	2	2	2	2				
5	1	198255-82640	STAY,HINGE PLATE	2	2	2	2				
6	1	198255-82650	RUBBER A,GL.CUSHION	4	4	4	4				
7	1	198255-82660	RUBBER B,GL.CUSHION	8	8	8	8				
8	1	198287-83110	GLASS, FRONT	1	1	1	1				
9	1	198208-83120	GLASS, L FRONT LOWER	1	1	1	1				
10	1	198208-83130	GLASS, R FRONT LOWER	1	1	1	1				
11	1	198287-83150	HINGE, L FRONT	1	1	1	1				
12	1	198287-83160	HINGE, R FRONT	1	1	1	1				
13	1	198287-83340	BRACKET, FRONT LOCK	2	2	2	2				
14	1	198460-83350	BOLT M8X16,BC COLLAR	4	4	4	4				
15	1	198208-83640	WEATHER-STRIP, RG	1	1	1	1				
16	1	198208-83650	STAY, GAS DAMPER	2	2	2	2				
17	1	198153-83710	COLLAR 8.4X12X22.5	2	2	2	2				
18	1	198153-83720	WASHER 12,WAVE	2	2	2	2				
19	1	198153-83730	HANDLE,REAR GLASS	1	1	1	1				
20	1	198093-83751	SPRING	2	2	2	2				
21	1	198463-83760	HANDLE, SIDE GLASS L	1	1	1	1				
22	1	197820-84740	LINER	8	8	8	8				
23	1	197820-84750	RETAINER	4	4	4	4				
24	1	22137-080000	WASHER 8, POLISHED	4	4	4	4				
25	1	22137-080000	WASHER 8, POLISHED	2	2	2	2				
26	1	22487-080600	PIN 8X 60	2	2	2	2				
27	1	26366-080002	NUT M 8	2	2	2	2				
28	1	26589-060102	SCREW, 6 X 10	4	4	4	4				

NPC-4322	102. リヤウインドウ	N173023
EF227EH-EF235EH+77	1.04/1Q2	PLUS

Fig.103. REAR WINDOW

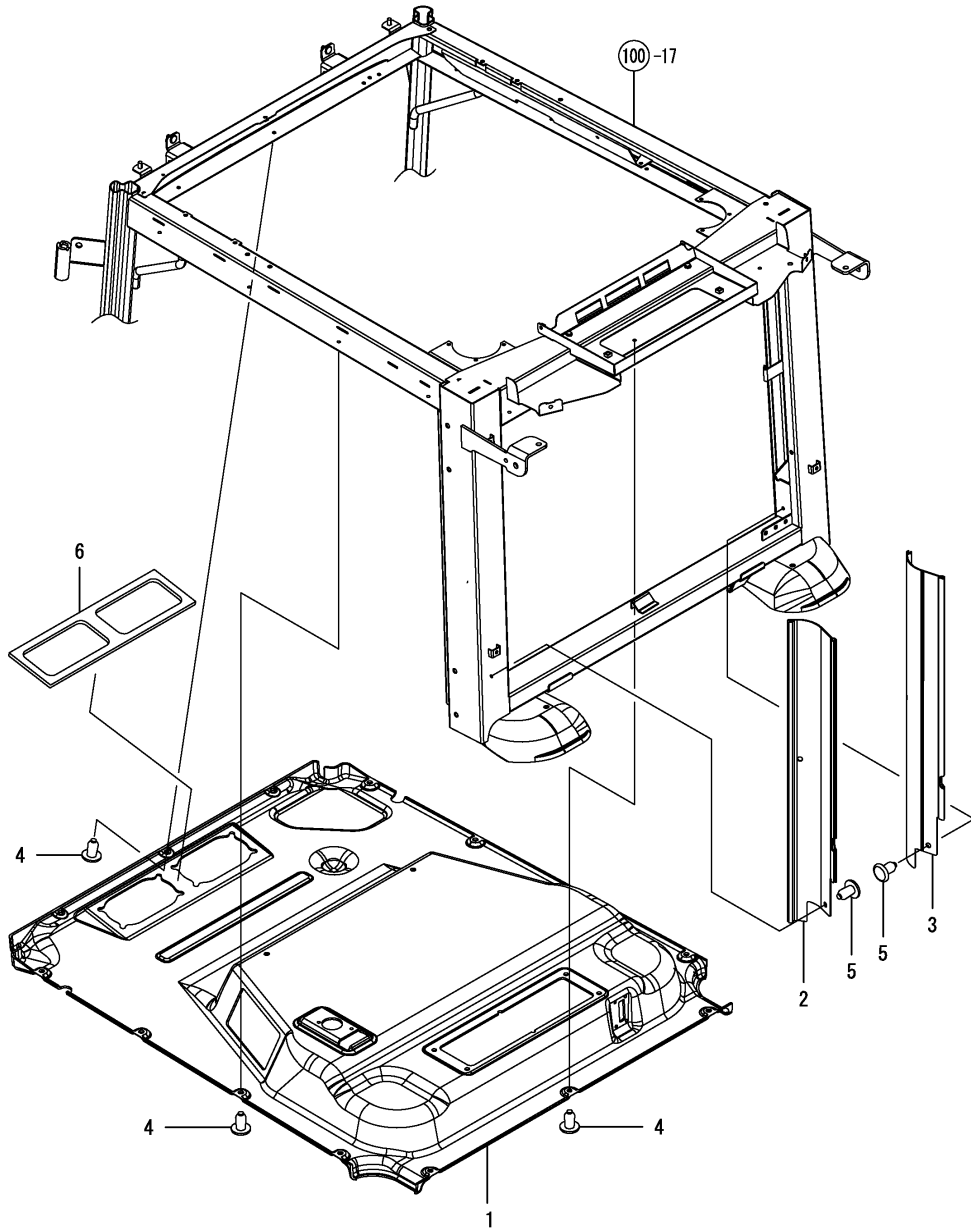
(A)=EF227EH (D)=EF235EH
 (B)=EF230EH (E)=
 (C)=EF233EH (F)=



REF.	LEV.	PARTS NO.	DESCRIPTION	QTY						I	R
				(A)	(B)	(C)	(D)	(E)	(F)		
1	1	1C6281-52310	PIN 6,COME-OFF SNAP	2	2	2	2				
2	1	198268-82270	SPRING WASHER 8	4	4	4	4				
3	1	198094-82550	BOLT	4	4	4	4				
4	1	198255-82650	RUBBER A,GL.CUSHION	4	4	4	4				
5	1	198255-82660	RUBBER B,GL.CUSHION	8	8	8	8				
6	1	198460-83350	BOLT M8X16,BC COLLAR	4	4	4	4				
7	1	198287-83610	GLASS, REAR	1	1	1	1				
8	1	198208-83630	HINGE, REAR	2	2	2	2				
9	1	198094-83640	BRACKET,REAR LOCK	1	1	1	1				
10	1	198287-83640	WEATHER-STRIP, RG	1	1	1	1				
11	1	198208-83650	STAY, GAS DAMPER	2	2	2	2				
12	1	198153-83710	COLLAR 8.4X12X22.5	1	1	1	1				
13	1	198153-83720	WASHER 12,WAVE	1	1	1	1				
14	1	198153-83730	HANDLE,REAR GLASS	1	1	1	1				
15	1	198093-83751	SPRING	2	2	2	2				
16	1	197820-84740	LINER	8	8	8	8				
17	1	197820-84750	RETAINER	4	4	4	4				
18	1	22137-080000	WASHER 8, POLISHED	2	2	2	2				
19	1	22137-080000	WASHER 8, POLISHED	2	2	2	2				
20	1	22487-080600	PIN 8X 60	2	2	2	2				
21	1	26106-080452	BOLT M 8X 45 PLATED	1	1	1	1				
22	1	26366-080002	NUT M 8	2	2	2	2				
23	1	26589-060102	SCREW, 6 X 10	4	4	4	4				

Fig.104. INTERIORS

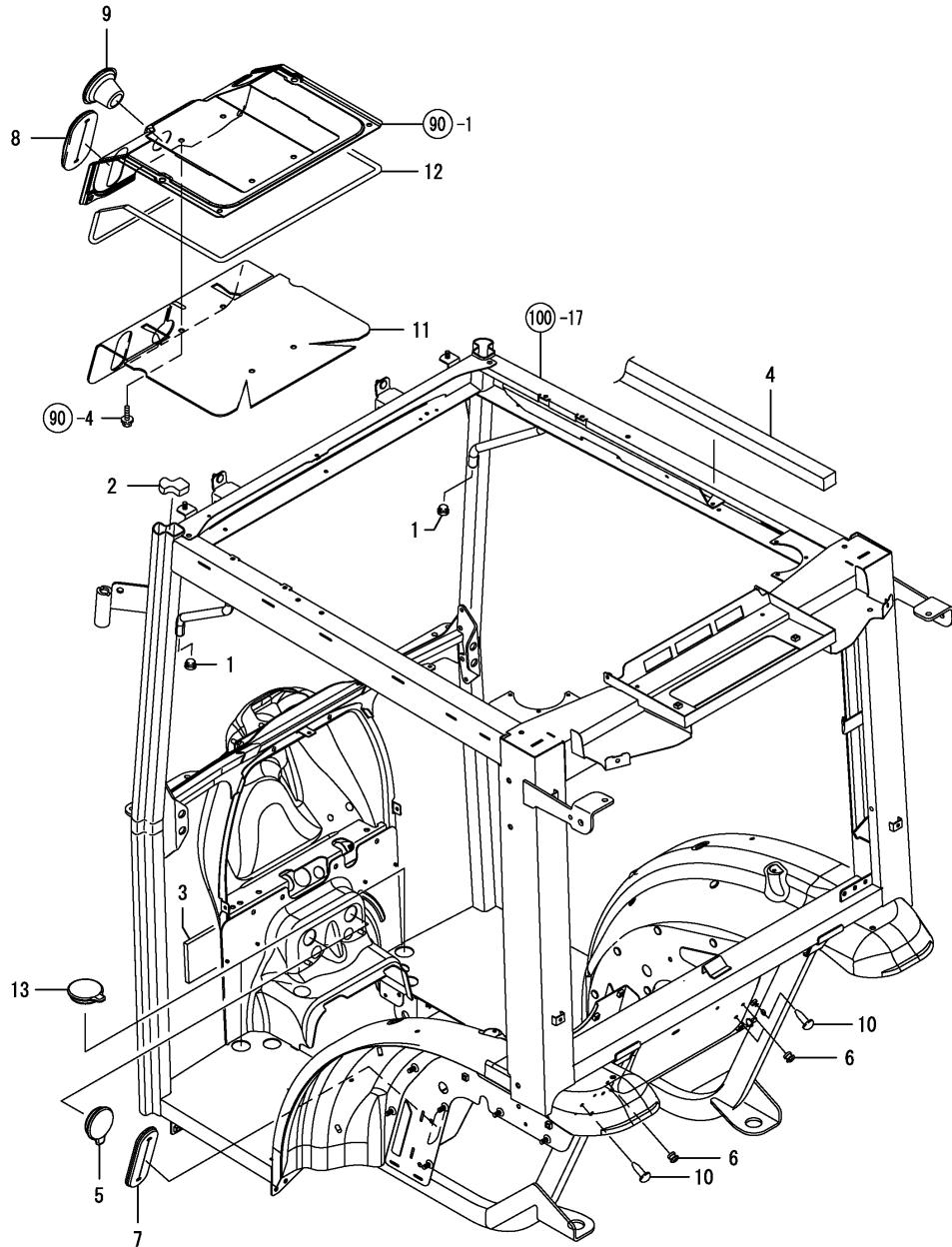
(A)=EF227EH (D)=EF235EH
 (B)=EF230EH (E)=
 (C)=EF233EH (F)=



REF.	LEV.	PARTS NO.	DESCRIPTION	QTY						I	R
				(A)	(B)	(C)	(D)	(E)	(F)		
1	1	198287-84100	ROOF, INNER	1	1	1	1				
2	1	198287-85480	COVER, REAR PILLAR L	1	1	1	1				
3	1	198287-85490	COVER, REAR PILLAR R	1	1	1	1				
4	1	198010-85810	RIVET	16	16	16	16				
5	1	198010-85810	RIVET	4	4	4	4				
6	1	1A7030-87260	SEAT, GRILL FRONT	1	1	1	1				

Fig.105. CABIN SEAL

(A)=EF227EH (D)=EF235EH
 (B)=EF230EH (E)=
 (C)=EF233EH (F)=



REF.	LEV.	PARTS NO.	DESCRIPTION	QTY						I	R
				(A)	(B)	(C)	(D)	(E)	(F)		
1	1	194145-64430	GROMMET 12	2	2	2	2				
2	1	198208-84190	SEAL, FRONT PIPE	2	2	2	2				
3	1	198208-84570	SEAL, AIRCUT	1	1	1	1				
4	1	198208-85590	SEAL, OUTER ROOF	1	1	1	1				
5	1	198094-85710	GROMMET 38	2	2	2	2				
6	1	1C6053-26020	CAP, RUBBER	3	3	3	3				
7	1	198208-62810	GROMMET, PEDAL	1	1	1	1				
8	1	198287-62810	GROMMET, BRAKE	1	1	1	1				
9	1	198208-62920	BOOT, STOP LEVER	1	1	1	1				
10	1	1E6760-74150	CAP 8,HOLE	2	2	2	2				
11	1	198287-84540	DAMPING, DUST B	1	1	1	1				
12	1	1A7320-84650	SEAL, DUST COVER	1	1	1	1				
13	1	198094-85710	GROMMET 38	2	2	2	2				

(A)=EF227EH (D)=EF235EH
 (B)=EF230EH (E)=
 (C)=EF233EH (F)=

Fig.106. SAFETY FRAME(REAR)

REF.	LEV.	PARTS NO.	DESCRIPTION	QTY						I	R
				(A)	(B)	(C)	(D)	(E)	(F)		
1	1	198280-85100	FRAME ASSY, UPPER	1	1	1	1				
2	1	198280-85150	FRAME ASSY, LOW	1	1	1	1				
3	1	198280-85160	FRAME ASSY, R LOW	1	1	1	1				
4	1	198200-85400	BOLT, 16 X 85	2	2	2	2				
5	1	198280-85410	HANDLE ASSY,	2	2	2	2				
6	1	198163-85630	KNOB M16	2	2	2	2				
7	1	198280-85710	FRAME ASSY,FRONT	1	1	1	1				
8	1	26013-120352	BOLT M12X 35	10	10	10	10				
9	1	26106-080202	BOLT M 8X 20 PLATED	4	4	4	4				
10	1	26106-100652	BOLT, 10 X 65	2	2	2	2				
11	1	26356-160002	U-NUT M16	2	2	2	2				

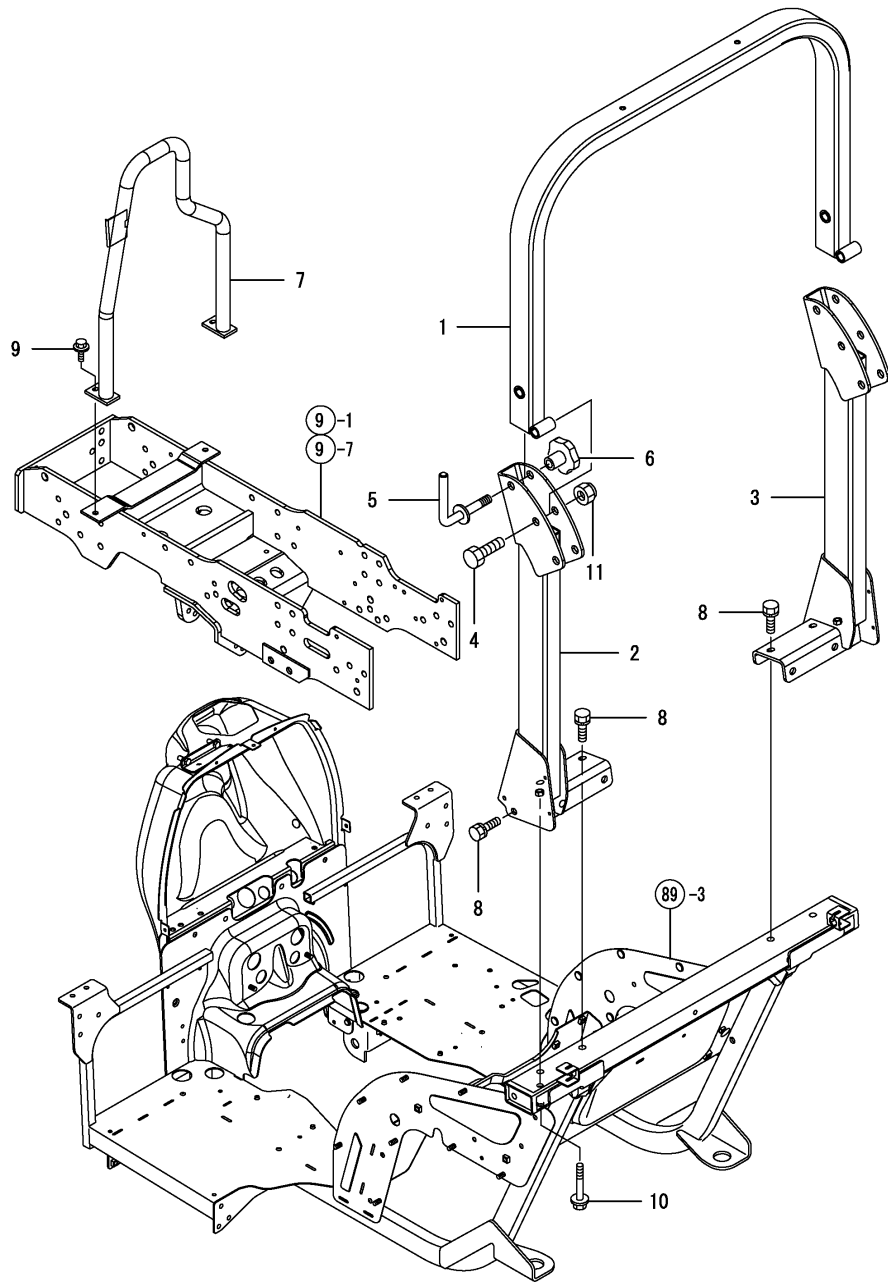
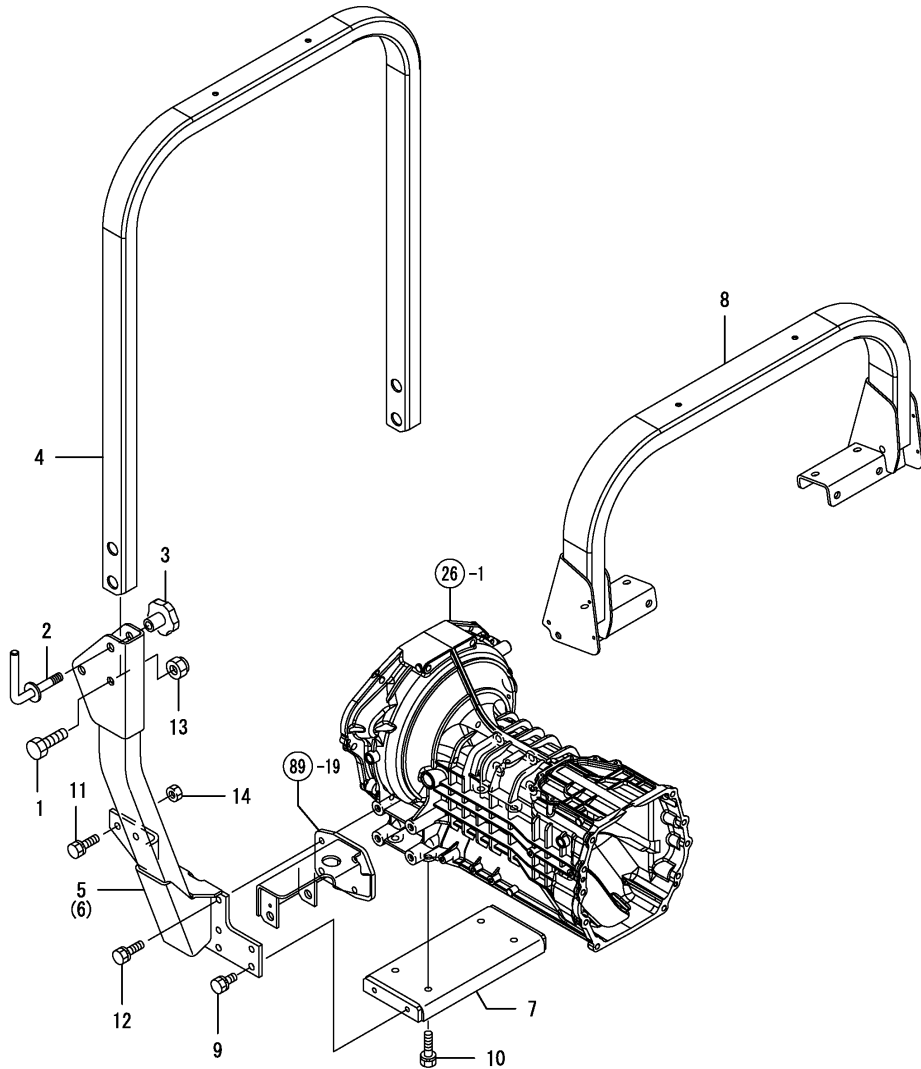


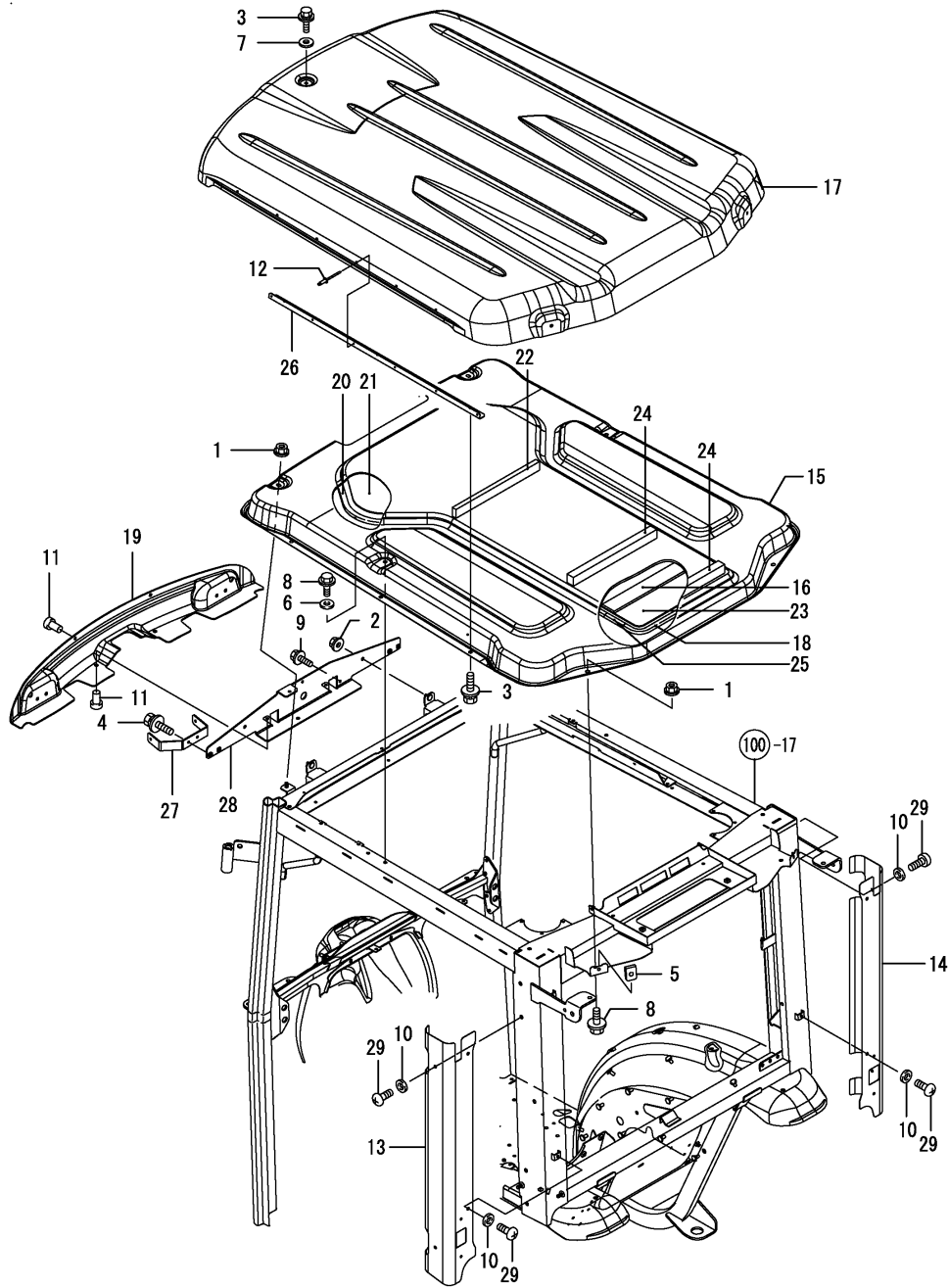
Fig.107. SAFETY FRAME(FRONT)

(A)=EF227EH (D)=EF235EH
 (B)=EF230EH (E)=
 (C)=EF233EH (F)=



REF.	LEV.	PARTS NO.	DESCRIPTION	QTY						I	R
				(A)	(B)	(C)	(D)	(E)	(F)		
1	1	198200-85400	BOLT, 16 X 85	4	4	4	4				
2	1	198280-85410	HANDLE ASSY,	1	1	1	1				
3	1	198163-85630	KNOB M16	1	1	1	1				
4	1	198282-85800	FRAME ASSY,UPPER	1	1	1	1				
5	1	198282-85820	FRAME L ASSY,MAIN	1	1	1	1				
6	1	198282-85830	FRAME R ASSY,MAIN	1	1	1	1				
7	1	198282-85900	PLATE ASSY,UNDER	1	1	1	1				
8	1	198282-85950	FRAME ASSY,REAR	1	1	1	1				
9	1	26013-120252	BOLT M12X 25	4	4	4	4				
10	1	26013-120352	BOLT M12X 35	4	4	4	4				
11	1	26013-120402	BOLT M12X 40	4	4	4	4				
12	1	26013-120452	BOLT M12X 45	6	6	6	6				
13	1	26356-160002	U-NUT M16	4	4	4	4				
14	1	26716-120002	NUT 12	4	4	4	4				

Fig.108. ROOF



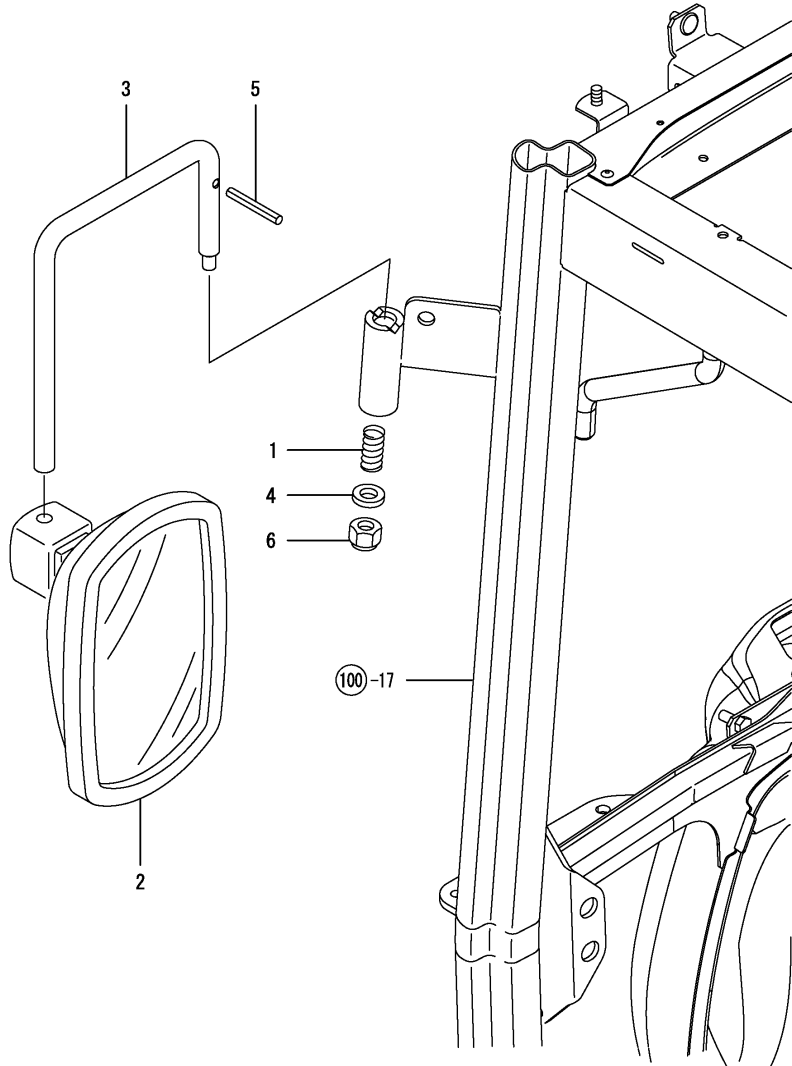
(A)=EF227EH (D)=EF235EH
 (B)=EF230EH (E)=
 (C)=EF233EH (F)=

REF.	LEV.	PARTS NO.	DESCRIPTION	QTY						I	R
				(A)	(B)	(C)	(D)	(E)	(F)		
1	1	194990-22140	NUT W/WASHER 8	4	4	4	4				
2	1	194990-22140	NUT W/WASHER 8	2	2	2	2				
3	1	198461-60590	BOLT 6* 20	9	9	9	9				
4	1	198461-60590	BOLT 6* 20	4	4	4	4				
5	1	198071-61890	NUT 6,SPEED	2	2	2	2				
6	1	198220-62150	WASHER	2	2	2	2				
7	1	198220-62150	WASHER	1	1	1	1				
8	1	198460-83350	BOLT M8X16,BC COLLAR	4	4	4	4				
9	1	198460-83350	BOLT M8X16,BC COLLAR	1	1	1	1				
10	1	198255-83510	WASHER 6,BC,PLAIN	8	8	8	8				
11	1	197810-84840	RIVET	4	4	4	4				
12	1	198287-85320	RIVET, BLACK	12	12	12	12				
13	1	198287-85450	COVER, OUTER L	1	1	1	1				
14	1	198287-85460	COVER, OUTER R	1	1	1	1				
15	1	198287-85550	ROOF, OUTER	1	1	1	1				
16	1	198208-85570	SEAL, OUTSIDE AIR	1	1	1	1				
17	1	198287-85570	COVER, OUTER	1	1	1	1				
18	1	198208-85580	SEAL, ROOF REAR	1	1	1	1				
19	1	198287-85590	COVER, FRONT	1	1	1	1				
20	1	198208-85600	SEAL, A AIR CON	1	1	1	1				
21	1	198208-85610	INSULATOR, A	1	1	1	1				
22	1	198287-85610	URETHAN, A ROOF	1	1	1	1				
23	1	198208-85620	INSULATOR, B	1	1	1	1				
24	1	198287-85620	URETHAN, B ROOF	2	2	2	2				
25	1	198208-85630	SEAL, ROOF SIDE	2	2	2	2				
26	1	198287-85650	STAY ASSY,COVER	2	2	2	2				
27	1	198287-86260	STY, WORK LAMP	2	2	2	2				
28	1	198287-86350	STY ASSY, WIPER	1	1	1	1				
29	1	26589-060102	SCREW, 6 X 10	8	8	8	8				

Fig.109. BACK MIRROR

(A)=EF227EH (D)=EF235EH
 (B)=EF230EH (E)=
 (C)=EF233EH (F)=

REF.	LEV.	PARTS NO.	DESCRIPTION	QTY						I	R
				(A)	(B)	(C)	(D)	(E)	(F)		
1	1	198220-63340	SPRING	2	2	2	2				
2	1	1A7100-64110	MIRROR ASSY	2	2	2	2				
3	1	198287-85830	SHAFT, MIRROR	2	2	2	2				
4	1	22137-120000	WASHER 12,POLISHED	2	2	2	2				
5	1	22351-060050	SPRING PIN 6X50	2	2	2	2				
6	1	26346-100002	U-NUT M10 PLATED	2	2	2	2				



(A)=EF227EH (D)=EF235EH
 (B)=EF230EH (E)=
 (C)=EF233EH (F)=

Fig.110. LABELS(CABIN)

REF.	LEV.	PARTS NO.	DESCRIPTION	QTY						I	R
				(A)	(B)	(C)	(D)	(E)	(F)		
1	1	198463-65610	LABEL,ROOF L	1	1	1	1				
2	1	198463-65620	LABEL,ROOF R	1	1	1	1				
3	1	198124-65630	MARK (YANMAR)	1	1	1	1				
4	1	198208-65790	LABEL,	1	1	1	1				

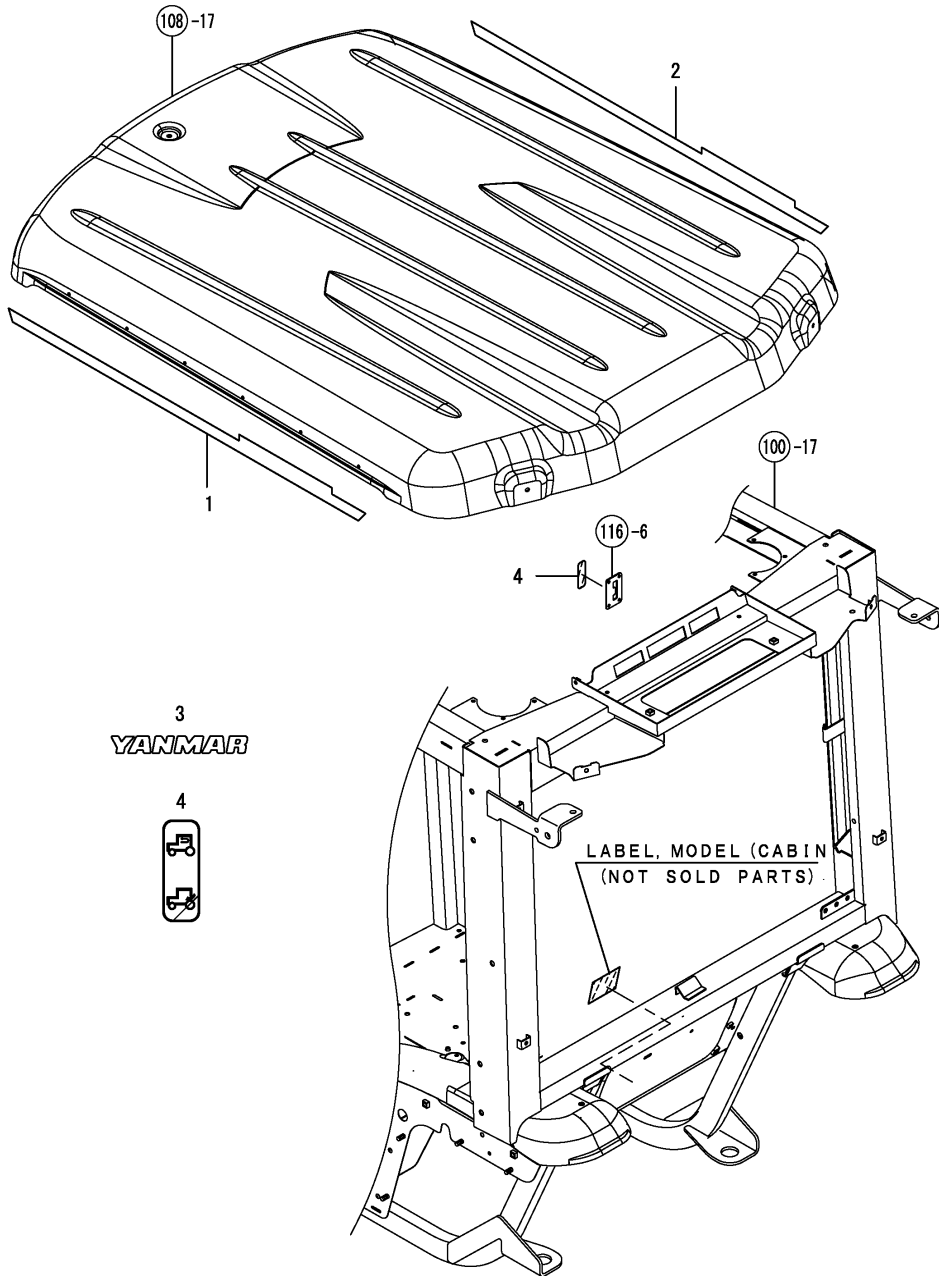
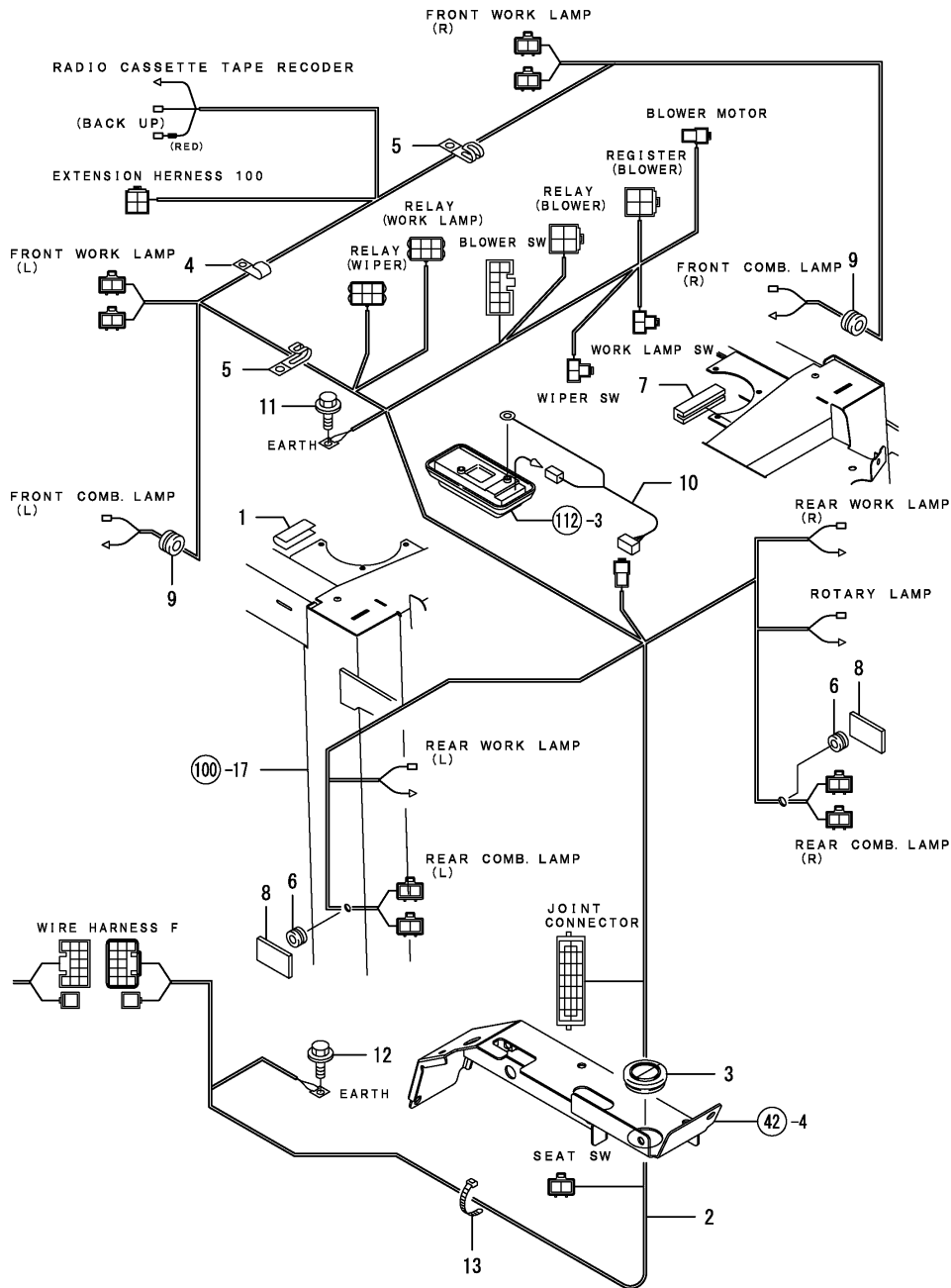


Fig.111. WIRE HARNESS(CABIN)

(A)=EF227EH (D)=EF235EH
 (B)=EF230EH (E)=
 (C)=EF233EH (F)=



REF.	LEV.	PARTS NO.	DESCRIPTION	QTY						I	R
				(A)	(B)	(C)	(D)	(E)	(F)		
1	1	195616-24930	TRIM	1	1	1	1				
2	1	198287-51250	WIRING HARNESS, CAB	1	1	1	1				
3	1	198133-51350	GROMMET 38A	1	1	1	1				
4	1	194197-51630	CLAMP 51	1	1	1	1				
5	1	194440-51630	CLAMP, WIRE HARNESS	2	2	2	2				
6	1	198071-58810	GROMMET 8	2	2	2	2				
7	1	198230-61560	GUIDE, HOSE	1	1	1	1				
8	1	198093-84810	SEAL, FENDER	2	2	2	2				
9	1	197830-85490	GROMMET 8, RUBBER	2	2	2	2				
10	1	198146-86120	WIRE, LEAD	1	1	1	1				
11	1	26106-080122	BOLT M 8X 12 PLATED	1	1	1	1				
12	1	26106-080122	BOLT M 8X 12 PLATED	1	1	1	1				
13	1	29622-250001	BAND RF 250	2	2	2	2				

Fig.112. LAMPS

(A)=EF227EH (D)=EF235EH
 (B)=EF230EH (E)=
 (C)=EF233EH (F)=

REF.	LEV.	PARTS NO.	DESCRIPTION	QTY						I	R
				(A)	(B)	(C)	(D)	(E)	(F)		
1	1	194990-22120	NUT W/WASHER 5	2	2	2	2				
2	1	198208-84260	SEAL, ROOM LAMP	1	1	1	1				
3	1	197820-88750	LAMP, ROOM	1	1	1	1				
4	2	197820-88770	BULB 12V-8W	1	1	1	1				
5	2	197820-88780	LENS	1	1	1	1				
6	1	26557-050252	SCREW M 5X 25	2	2	2	2				
7	1	198461-60590	BOLT 6* 20	4	4	4	4				
8	1	198255-86250	LAMP, WORK	2	2	2	2				
9	2	198255-86270	BULB 14V/35W	2	2	2	2				

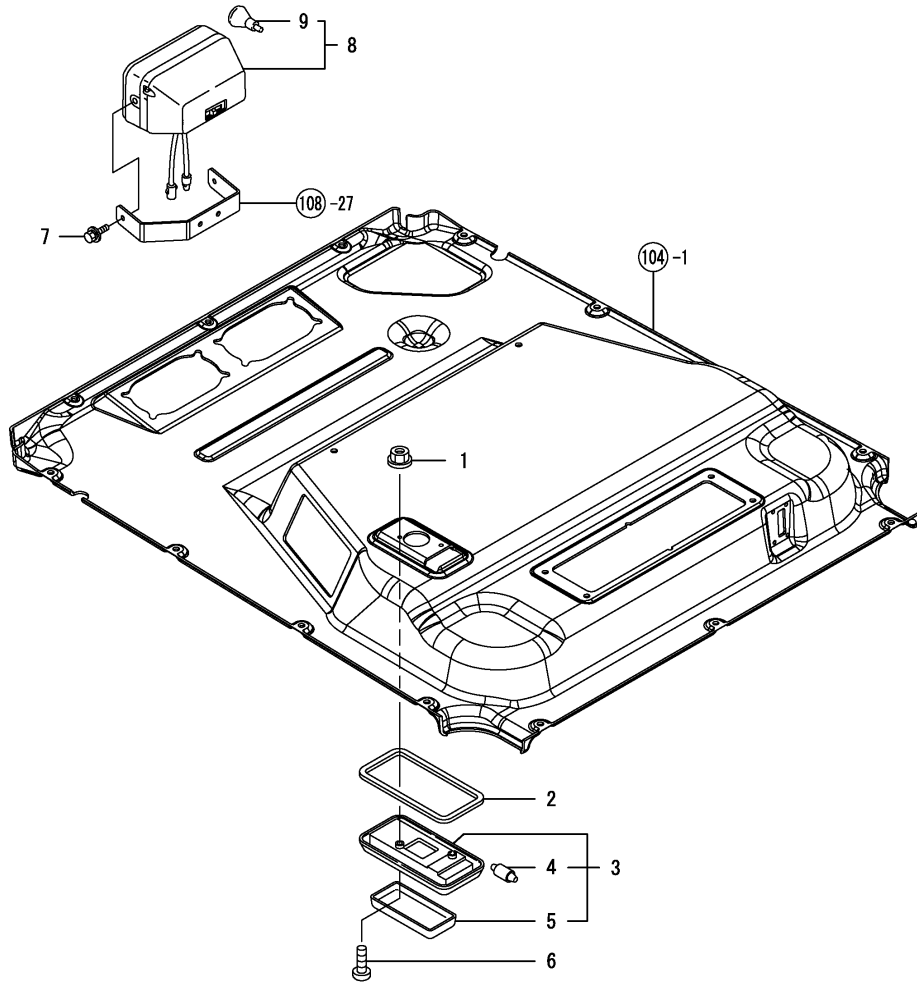


Fig.113. SWITCHES(CABIN)

(A)=EF227EH (D)=EF235EH
 (B)=EF230EH (E)=
 (C)=EF233EH (F)=

REF.	LEV.	PARTS NO.	DESCRIPTION	QTY						I	R
				(A)	(B)	(C)	(D)	(E)	(F)		
1	1	194990-22130	NUT W/WASHER 6	1	1	1	1				
2	1	198461-52950	RELAY CA,TYPE C	2	2	2	2				
3	1	197821-85430	SWITCH,WIPER	1	1	1	1				
4	1	198094-86410	SWITCH, WORK LAMP	1	1	1	1				
5	1	26106-060162	BOLT M 6X 16 PLATED	1	1	1	1				

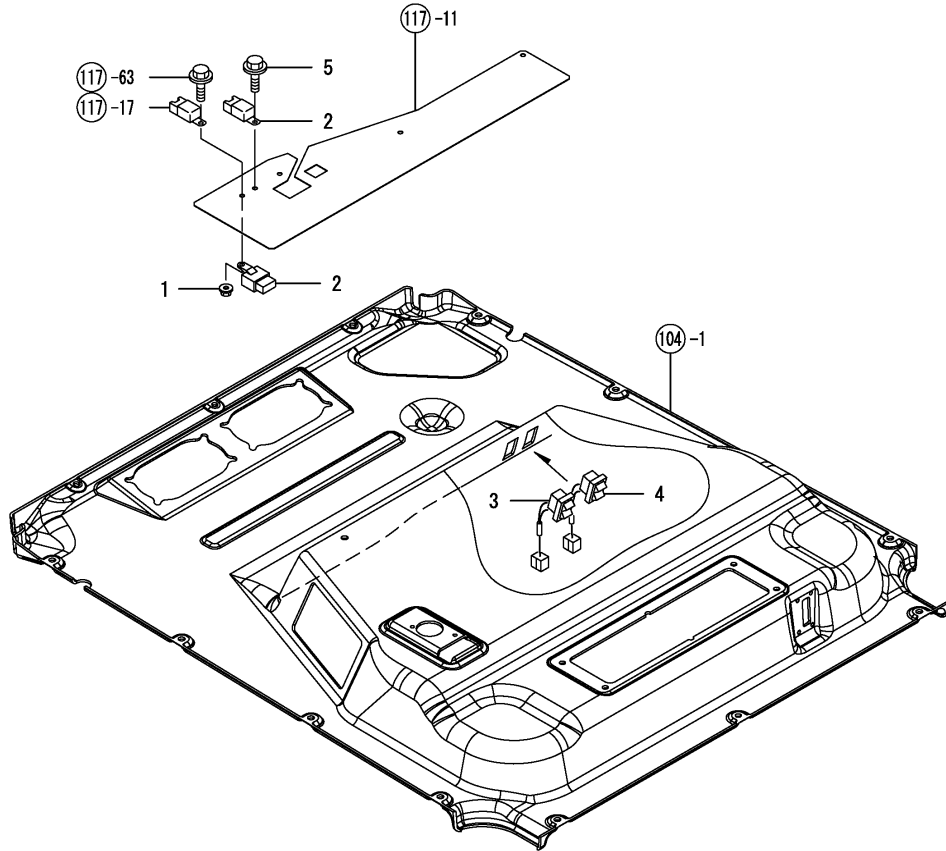
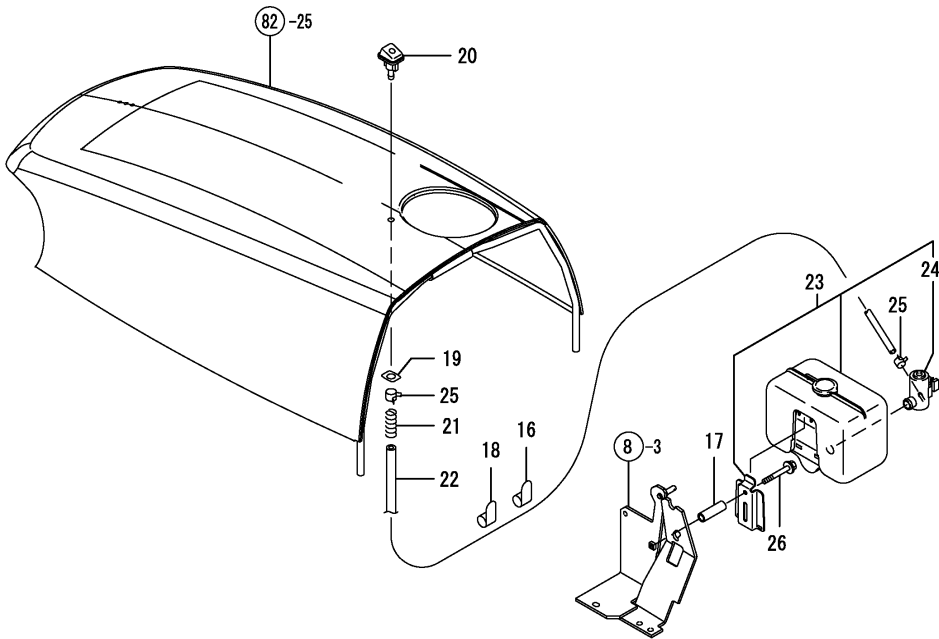
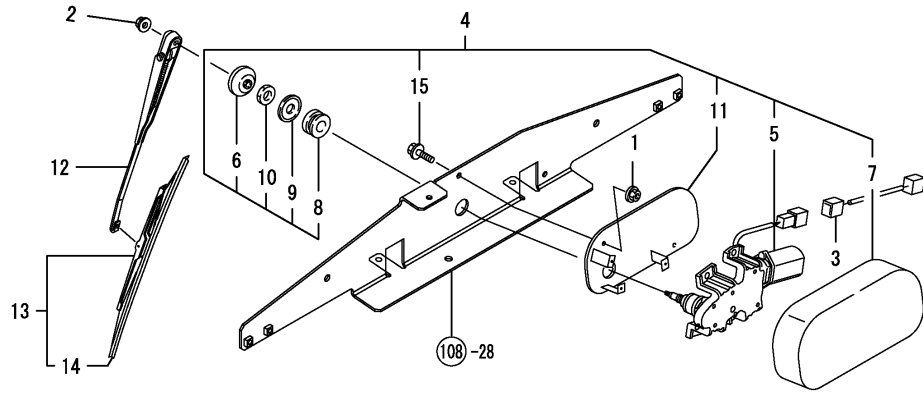


Fig.114. FRONT WIPER

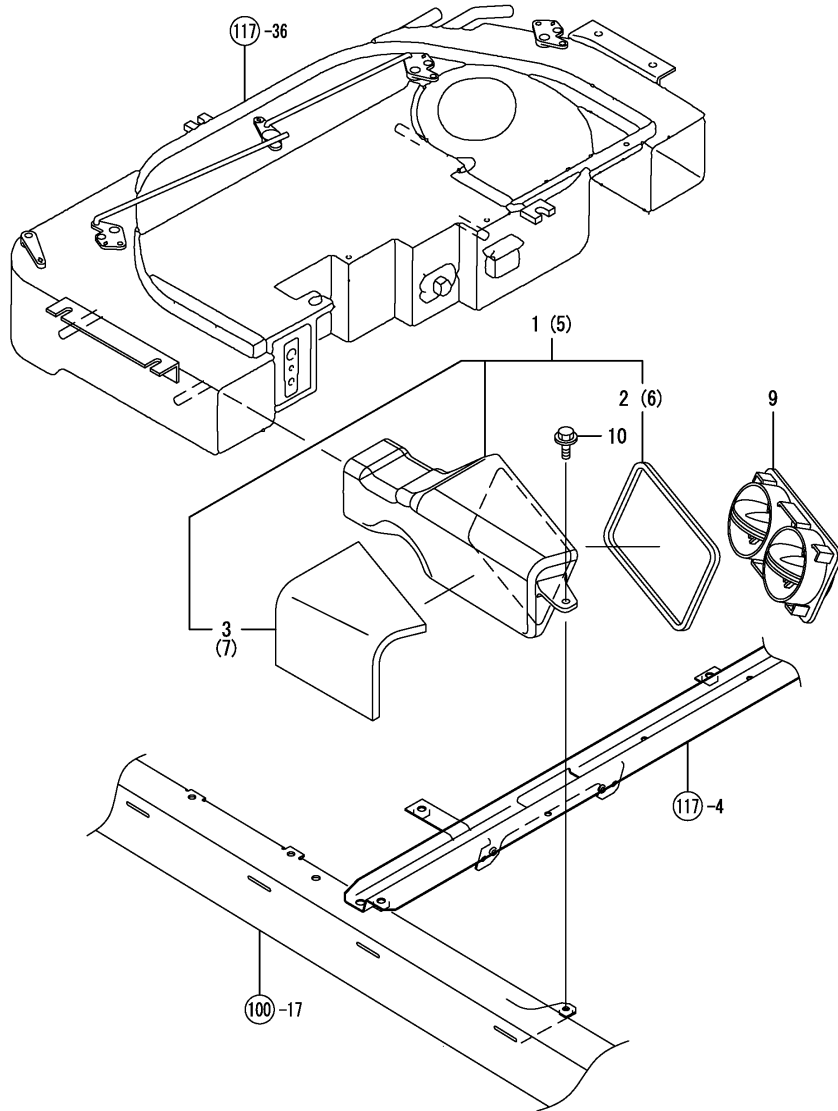
(A)=EF227EH (D)=EF235EH
 (B)=EF230EH (E)=
 (C)=EF233EH (F)=



REF.	LEV.	PARTS NO.	DESCRIPTION	QTY						I	R
				(A)	(B)	(C)	(D)	(E)	(F)		
1	1	194990-22130	NUT W/WASHER 6	2	2	2	2				
2	1	194990-22130	NUT W/WASHER 6	1	1	1	1				
3	1	198287-51270	EXTENSION HARNESS100	1	1	1	1				
4	1	1A7320-86300	MOTOR ASSY, WIPER	1	1	1	1				
5	2	1A7320-86310	MOTOR ASSY,	1	1	1	1				
6	2	198535-86320	CAP	1	1	1	1				
7	2	198535-86340	COVER	1	1	1	1				
8	2	198535-86370	SEAL	1	1	1	1				
9	2	198535-86380	WASHER	1	1	1	1				
10	2	198535-86390	NUT, SLEEVE	1	1	1	1				
11	2	198535-86400	PLATE	1	1	1	1				
12	1	198550-86540	WIPER ARM	1	1	1	1				
13	1	198550-86590	WIPER BLADE	1	1	1	1				
14	2	198550-86570	RUBBER	1	1	1	1				
15	1	26106-060162	BOLT M 6X 16 PLATED	2	2	2	2				
16	1	172010-07810	STICKER, WIRE	1	1	1	1				
17	1	195715-22590	COLLER, LEVER STAY	1	1	1	1				
18	1	194242-51660	CLAMP, HARNESS	1	1	1	1				
19	1	1A7320-61140	SPASA (WASHER-NOZZLE	1	1	1	1				
20	1	198094-86060	WASHER,NOZZLE	1	1	1	1				
21	1	198094-86560	SPRING	1	1	1	1				
22	1	198287-86570	HOSE, FRONT WASHER	1	1	1	1				
23	1	1A7030-86651	WASHER TANK ASSY	1	1	1	1				
24	2	198127-86710	PUMP,WASHER	1	1	1	1				
25	1	23080-007000	HOSE CLAMP 7	1	1	1	1				
26	1	26106-060452	BOLT M 6X 45 PLATED	1	1	1	1				

Fig.115. DUCT

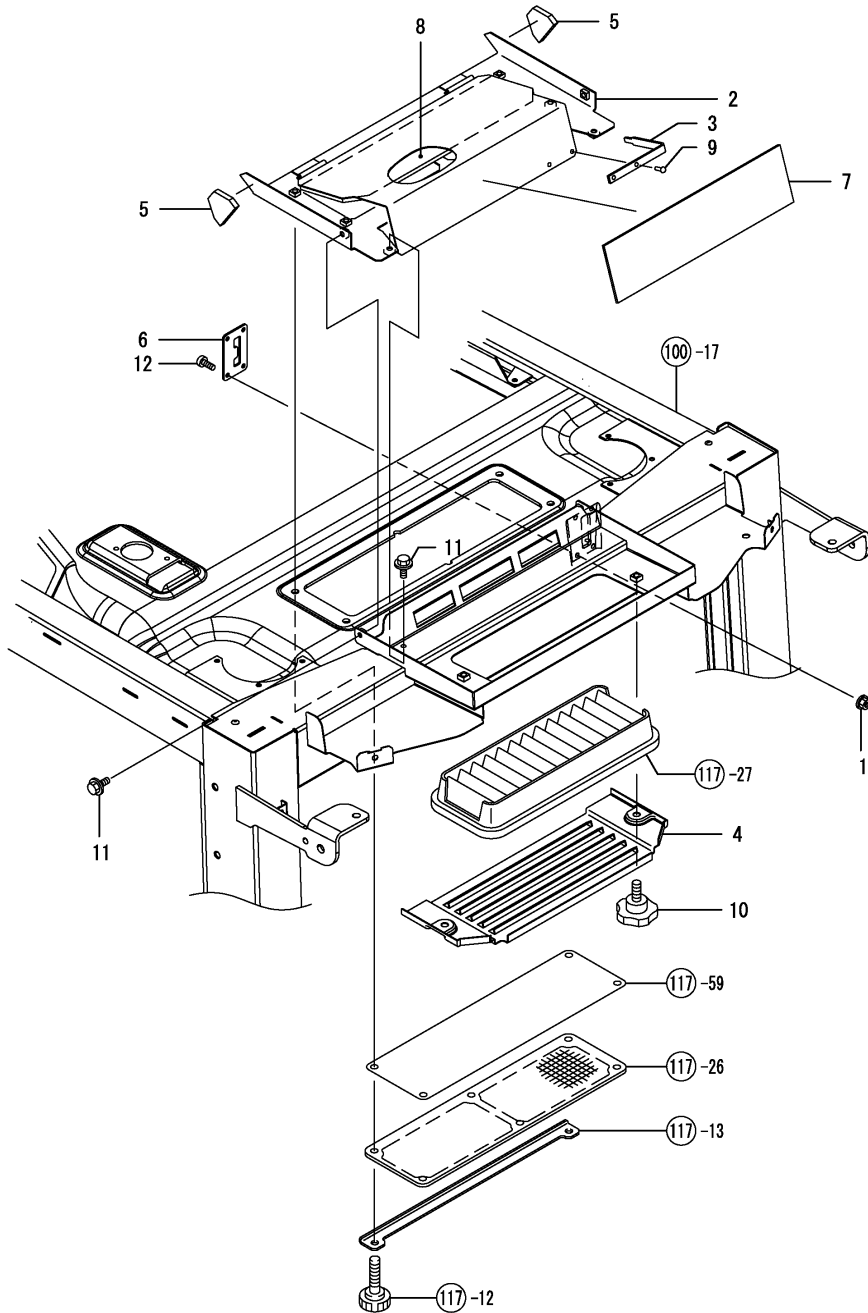
(A)=EF227EH (D)=EF235EH
 (B)=EF230EH (E)=
 (C)=EF233EH (F)=



REF.	LEV.	PARTS NO.	DESCRIPTION	QTY						I	R
				(A)	(B)	(C)	(D)	(E)	(F)		
1	1	198208-87360	DUCT ASSY, SIDE L	1	1	1	1				
2	2	1A7030-87320	SEAL, DUCT SIDE	1	1	1	1				
3	2	198208-87380	FORM, DUCT SIDE L	1	1	1	1				
5	1	198208-87370	DUCT ASSY, SIDE R	1	1	1	1				
6	2	1A7030-87320	SEAL, DUCT SIDE	1	1	1	1				
7	2	198208-87390	FORM, DUCT SIDE R	1	1	1	1				
9	1	1A7030-87411	AIR-CON GRILL CMP	2	2	2	2				
10	1	26106-060162	BOLT M 6X 16 PLATED	2	2	2	2				

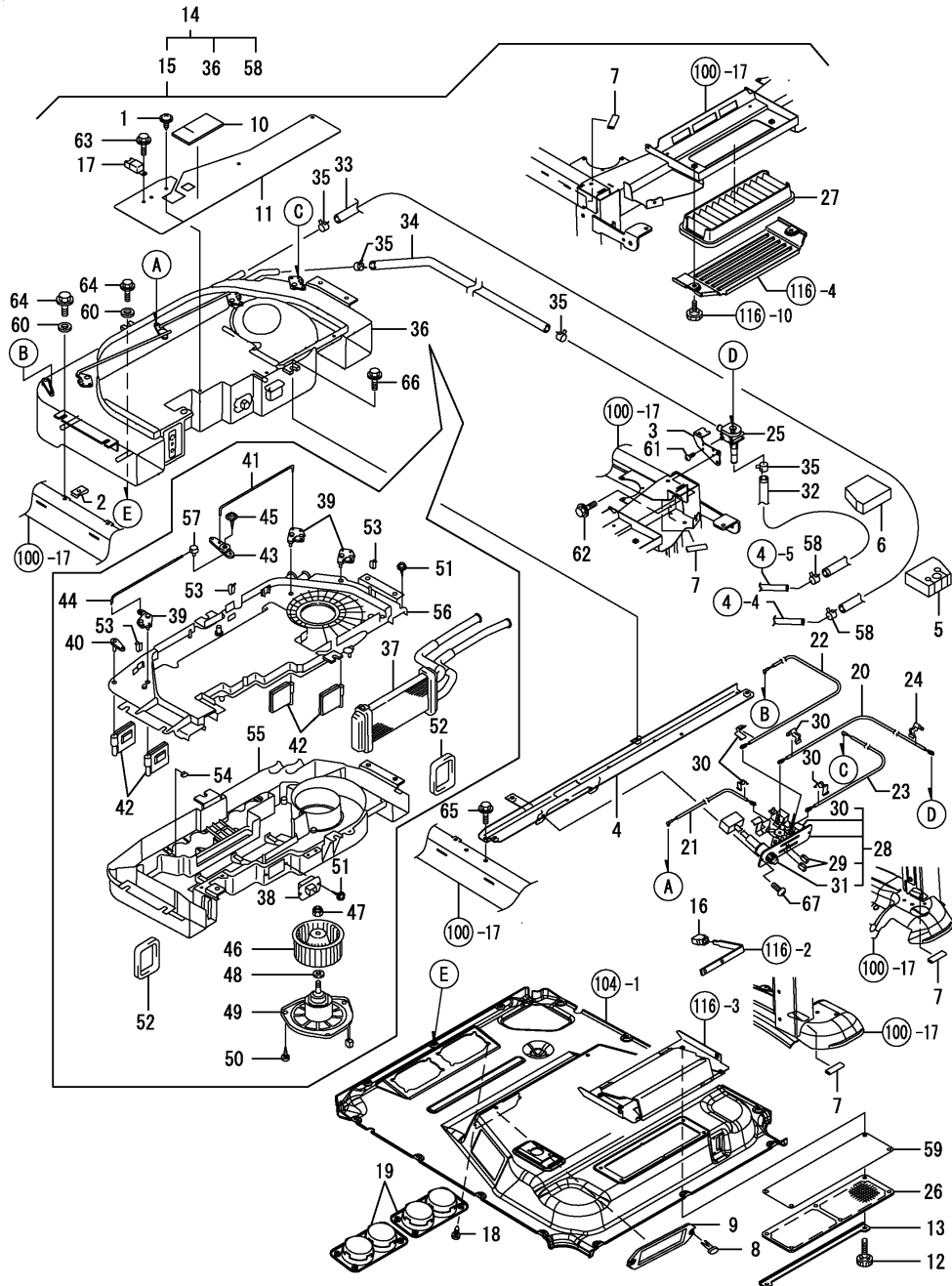
Fig.116. OUTSIDE AIR INTAKE

(A)=EF227EH (D)=EF235EH
 (B)=EF230EH (E)=
 (C)=EF233EH (F)=



REF.	LEV.	PARTS NO.	DESCRIPTION	QTY						I	R
				(A)	(B)	(C)	(D)	(E)	(F)		
1	1	194990-22120	NUT W/WASHER 5	4	4	4	4				
2	1	198208-87560	SHUTTER ASSY,	1	1	1	1				
3	1	198208-87610	ARM, OUTSIDE AIR	1	1	1	1				
4	1	1A7030-87650	COVER, FILTER	1	1	1	1				
5	1	198208-87840	URETHANE, SHUTTER	2	2	2	2				
6	1	198208-87850	GUIDE,	1	1	1	1				
7	1	198208-87860	URETHANE, OUTSIDE	1	1	1	1				
8	1	198208-87870	URETHANE,	1	1	1	1				
9	1	22697-480641	RIVET, 4.8 X 6.4	2	2	2	2				
10	1	26064-080201	WING BOLT M 8X 20	2	2	2	2				
11	1	26106-060122	BOLT M 6X 12 PLATED	4	4	4	4				
12	1	26559-050162	SCREW	4	4	4	4				

Fig.117. HEATER



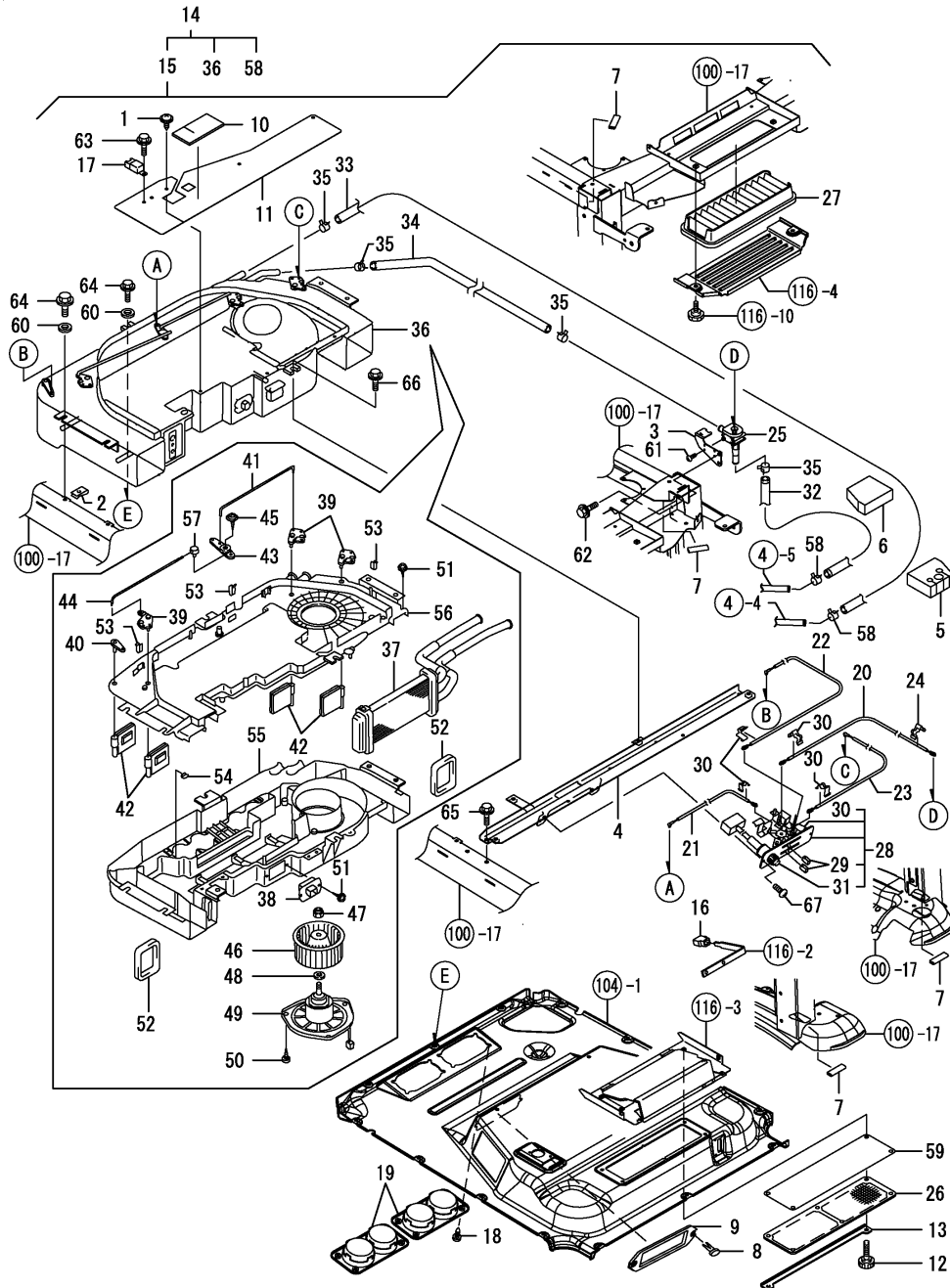
(A)=EF227EH (D)=EF235EH
 (B)=EF230EH (E)=
 (C)=EF233EH (F)=

REF.	LEV.	PARTS NO.	DESCRIPTION	QTY						I	R
				(A)	(B)	(C)	(D)	(E)	(F)		
1	1	194940-61790	SCRFW 5X16	3	3	3	3				
2	1	198071-61890	NUT 6,SPEED	4	4	4	4				
3	1	198208-80950	BRACKET ASSY, VALVE	1	1	1	1				
4	1	198208-81190	STAY ASSY,	1	1	1	1				
5	1	198208-84170	BOOT, STOP LEVER	2	2	2	2				
6	1	198287-84170	SEAL, A/C HOSE	1	1	1	1				
7	1	198093-84810	SEAL,FENDER	3	3	3	3				
8	1	198010-85810	RIVET	2	2	2	2				
9	1	1A7030-86870	COVER, AIR-CON PANEL	1	1	1	1				
10	1	198208-87280	SEAL, AIR CON PANEL	1	1	1	1				
11	1	198208-87450	PLATE, SEAL AIR CON	1	1	1	1				
12	1	198463-87630	KNOB, FILTER	4	4	4	4				
13	1	1A7030-87720	STAY, FILTER	1	1	1	1				
14	1	198287-88000	HEATER SYSTEM KIT,	1	1	1	1				
15	2	198287-88030	HEATER ASSY, B	1	1	1	1				
16	3	1E8545-80080	KNOB,CONTROL	1	1	1	1				
17	3	1A7030-86980	RELEY, AIR-CON	1	1	1	1				
18	3	1A7030-87040	SCREW, TAPPING 5X20	8	8	8	8				
19	3	198208-87410	GRILL ASSY, AIR CON	2	2	2	2				
20	3	198208-87740	CABLE, M/V	1	1	1	1				
21	3	198208-87760	CABLE, MIX	1	1	1	1				
22	3	198208-87770	CABLE, FACE L	1	1	1	1				
23	3	198208-87780	CABLE, FACE R	1	1	1	1				
24	3	1A7030-87790	CLAMP	1	1	1	1				
25	3	198208-87810	VALVE ASSY, WATER	1	1	1	1				
26	3	1A7030-87970	FILTER	1	1	1	1				
27	3	1A7030-87990	FILTER,	1	1	1	1				
28	3	198287-88150	CONTROL ASSY,	1	1	1	1				
29	4	1E8545-80080	KNOB,CONTROL	2	2	2	2				
30	4	1A7030-87790	CLAMP	4	4	4	4				
31	4	198287-88180	SWITCH ASSY, HEATER	1	1	1	1				
32	3	198208-88630	HOSE, HEATER W/V-E/G	1	1	1	1				
33	3	198208-88640	HOSE, HEATER E/G-A/U	1	1	1	1				
34	3	198208-88650	HOSE, HEATER A/U-W/V	1	1	1	1				
35	3	1A7030-88710	CLIP, HOSE HEATER	4	4	4	4				
36	2	198287-88200	HEATER UNIT ASSY,	1	1	1	1				
37	3	1A7030-87240	CORE,HEATER	1	1	1	1				
38	3	1A7030-87250	RESISTOR	1	1	1	1				
39	3	1A7030-87270	LEVER ASSY, MIX DOOR	3	3	3	3				
40	3	1A7030-87280	LEVER ASSY, MODE DOO	1	1	1	1				
41	3	1A7030-87290	SHAFT	1	1	1	1				
42	3	1A7030-87300	DOOR ASSY	4	4	4	4				
43	3	1A7030-87310	LEVER ASSY, MIX LINK	1	1	1	1				
44	3	1A7030-87330	SHAFT	1	1	1	1				
45	3	1A7030-87340	SCREW, TAPPING WASHE	1	1	1	1				
46	3	1A7030-87350	FAN, BLOWER	1	1	1	1				
47	3	1A7030-87360	NUT	1	1	1	1				
48	3	1A7030-88070	WASHER	1	1	1	1				
49	3	198287-88080	MOTOR ASSY, BLOWER	1	1	1	1				
50	3	1A7030-88090	SCREW, TAPPING WASHE	3	3	3	3				
51	3	1A7030-88130	SCREW,TAPPING	22	22	22	22				
52	3	1A7030-88140	GASKET	2	2	2	2				
53	3	1A7030-88150	CLAMP, LOCK D 6	3	3	3	3				
54	3	1A7030-88170	NUT, SPEED GRILL	8	8	8	8				

++ CONTINUE ++

(A)=EF227EH (D)=EF235EH
 (B)=EF230EH (E)=
 (C)=EF233EH (F)=

Fig.117. HEATER



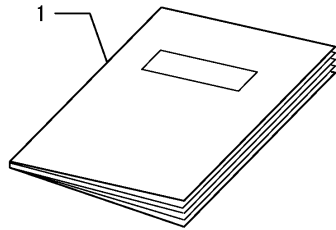
REF.	LEV.	PARTS NO.	DESCRIPTION	QTY						I	R
				(A)	(B)	(C)	(D)	(E)	(F)		
55	3	198287-88210	CASE, LOWER	1	1	1	1				
56	3	198287-88220	CASE, UPPER	1	1	1	1				
57	3	1A7030-88250	CLAMP	1	1	1	1				
58	2	1A7030-88710	CLIP, HOSE HEATER	4	4	4	4				
59	1	1A7030-88680	FILTER	1	1	1	1				
60	1	22157-060000	WASHER 6	5	5	5	5				
61	1	22857-400100	SCREW 4X10	2	2	2	2				
62	1	26106-060122	BOLT M 6X 12 PLATED	2	2	2	2				
63	1	26106-060162	BOLT M 6X 16 PLATED	1	1	1	1				
64	1	26106-060202	BOLT M 6X 20 PLATED	5	5	5	5				
65	1	26106-080162	BOLT M 8X 16 PLATED	2	2	2	2				
66	1	26106-080202	BOLT M 8X 20 PLATED	2	2	2	2				
67	1	26559-050162	SCREW	2	2	2	2				

Fig.118. ACCESSORIES

NPC-4322 118. ACCESSORIES

(A)=EF227EH (D)=EF235EH
 (B)=EF230EH (E)=
 (C)=EF233EH (F)=

REF.	LEV.	PARTS NO.	DESCRIPTION	QTY						I	R
				(A)	(B)	(C)	(D)	(E)	(F)		
1	1	41812-011980	MANUAL, OPERATOR	1	1	1	1				

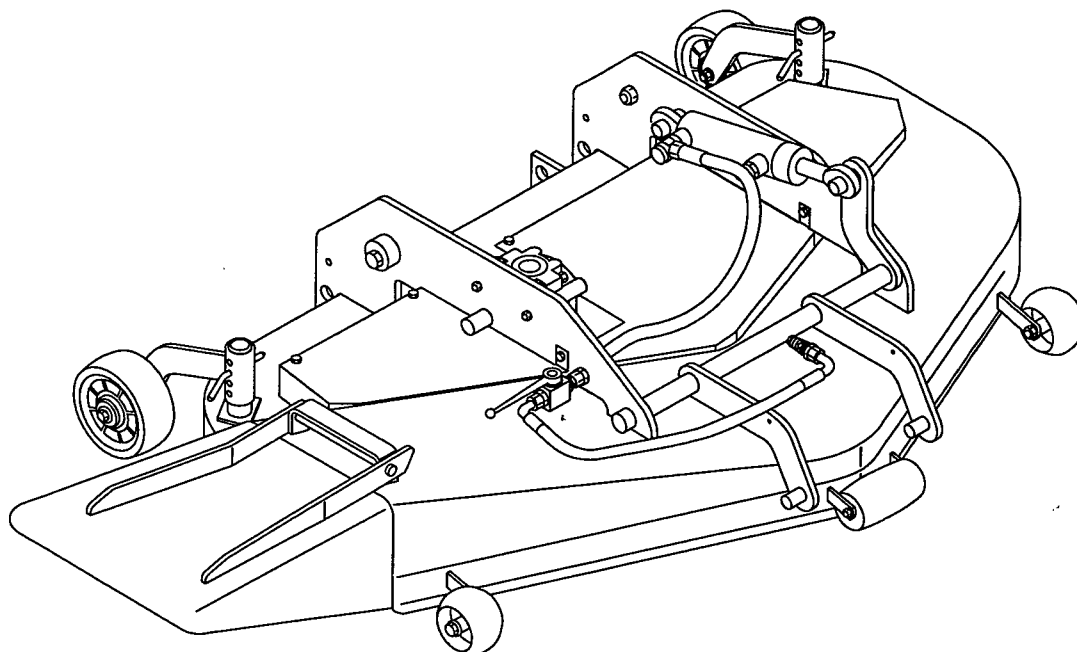


Ersatzteilliste
Spare parts list
Liste de pièces de rechange

YANMAR

A1 - A22

**Hako-Zwischenachsmäher (8185)
für Hakotrac 2100 DA und
YANMAR-Trac Ke 200H**



88-60-1051

Bestellbedingungen

D

Bestellen Sie Ersatzteile grundsätzlich bei Ihrer Hako-Werksvertretung und machen Sie folgende Angaben:

1. Gerätetyp, Motor- und Gerätenummer.
2. Genaue Bezeichnung des gewünschten Teiles sowie die **Bestellnummer**. Keine Bildnummer angeben.
3. Art des Versandes: z. B. Post, Fracht oder Expreß.
4. Genaue Anschrift mit Postleitzahl; bei Bahnversand Stationsbezeichnung.
5. In Zweifelsfällen Muster einsenden. Lieferschein oder Begleitschreiben begeben.
6. Rückgabe der Musterteile erfolgt nur, wenn ausdrücklich verlangt.

Verwenden Sie nur Original-Ersatzteile!

GB

Spare parts orders should be sent to your Hako agency. When ordering spare parts please state the following:

1. Type of machine, serial number of machine and engine.
2. Exact designation of the required spare parts as well as **part number**, but without picture number
3. Mode of transport: post, railway etc.
4. Correct and full address, in case of transport by railway indicate name of station.
5. In case of doubt please send the defective part as sample together with a delivery sheet or a letter.
6. The sample will be scrapped if not informed otherwise.

Please use original spare parts only.

F

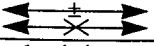
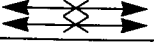
Veillez commander les pièces de rechange chez votre agence Hako. Commandant des pièces il faut indiquer les détails suivants:

1. Type of machine, no. de moteur et de série.
2. Désignation exacte de la pièce demandée ainsi que les **numéros de commande**, mais ne pas les numéros des illustrations.
3. Mode de transport: par poste, chemin de fer etc.
4. Adresse correcte et complète, en cas de transport par chemin de fer: station.
5. En cas de doute, veuillez envoyer la pièce défectueuse comme échantillon, en ajoutant un bon de livraison ou une lettre.
6. Retour de l'échantillon sera seulement effectué sur demande.

Utilisez seulement des pièces de rechange originaux svp.

	Mikrofiche	Seite
Anbauteile Gelenkwelle	A8	3
Mähergehäuse	A10/A12	5/5a
Messerlagerung	A14	7
Getriebe	A16	9
Spannrolle	A18	11
Stützrad	A20	13
Hydraulik	A22	15



Gültig ab : Dezember 1999

N	Alt		Neu	Neues Teil ist austauschbar für altes Teil aber nicht umgekehrt
S	Alt		Neu	Neues Teil ist nicht austauschbar für altes Teil und umgekehrt
W				Neues Teil ergänzt
K				Satzweise austauschbar siehe KUD-Rundschreiben
X				Sicherheitsteil

Achten Sie bei erforderlichen Instandsetzungsarbeiten bitte darauf, daß nur Original-Ersatzteile verwendet werden. Denn nur Original-Ersatzteile geben Ihnen die Gewähr für eine stete und zuverlässige Einsatzbereitschaft Ihres Gerätes.

	Microfiche	Page
Mounting parts cardan shaft	A8	3
Mower housing	A10/A12	5/5a
Blade bearing	A14	7
Gear box.	A16	9
Tensioning sheare	A18	11
Support wheel.	A20	13
Hydraulic.	A22	15


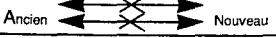
Valid from : December 1999

N	Old  New	New Part is interchangeable for Old Part but not interchangeable conversely
S	Old  New	New Part is not interchangeable for Old Part and vice versa
W		Part newly added
K		Complete sets interchangeable see KUD-Circular letter
X		Safety part

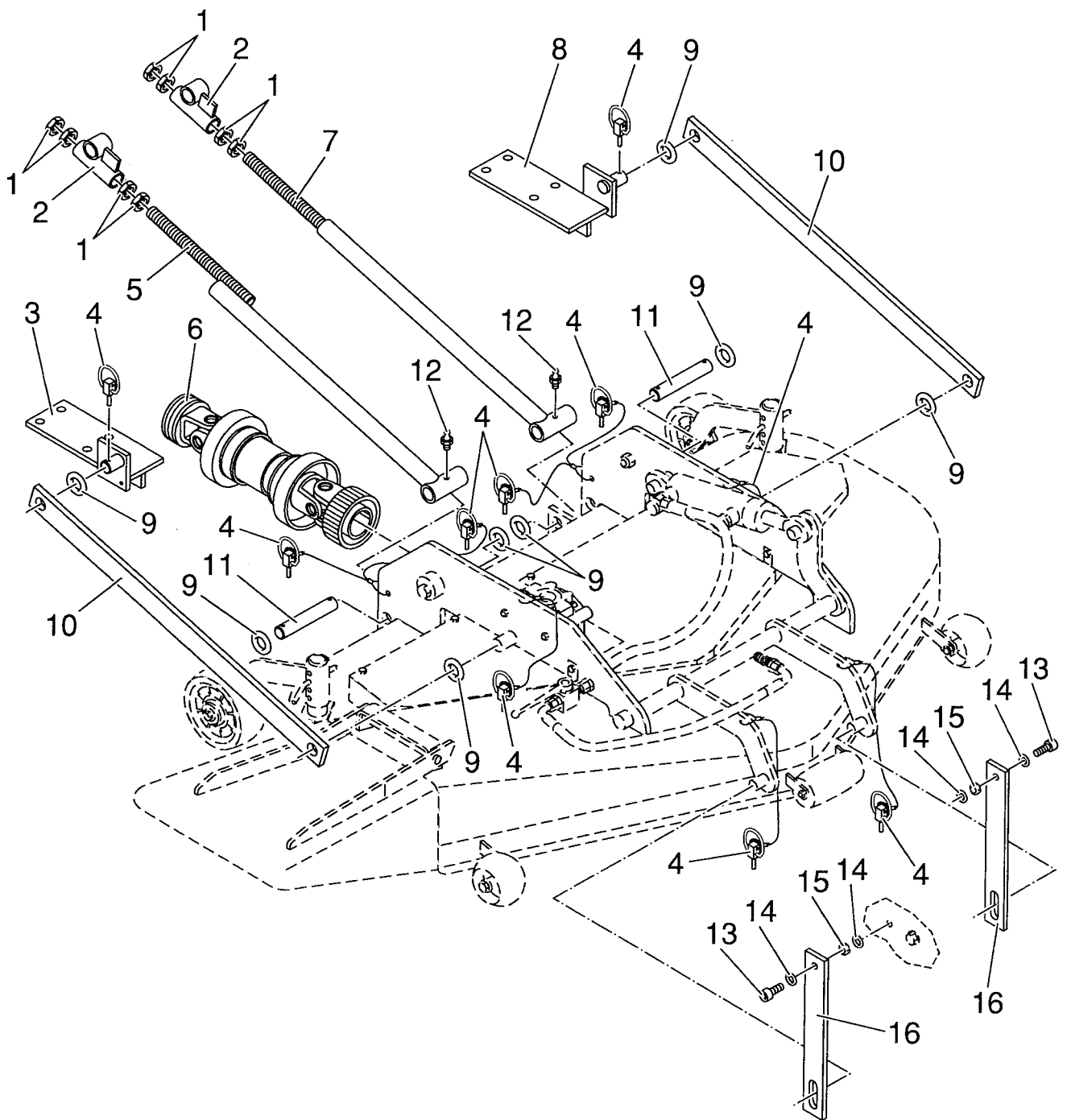
In case of possibly necessary repair works, please pay attention that only original spare parts are used, since only original spare parts will guarantee that your machine is constantly and reliably ready to operate.

	Microfiche	Page
Pièces de montage arbre articulé . A8		3
Carter de tondense A10/A12		5/5a
Palier de lame coupe A14		7
Engrenage A16		9
Galet tendeur A18		11
Roue de appui A20		13
Hydraulique A22		15

Valable à partir : Decembre 1999

N		La nouvelle pièce peut remplacer l'ancienne mais l'inverse n'est pas possible
S		La nouvelle et l'ancienne pièce ne sont pas interchangeable
W		La nouvelle pièce est complétée
K		Pièce peut être remplacée par un kit(voir la circulaire correspondante du Service Après-Vente)
X		Elément de sécurité

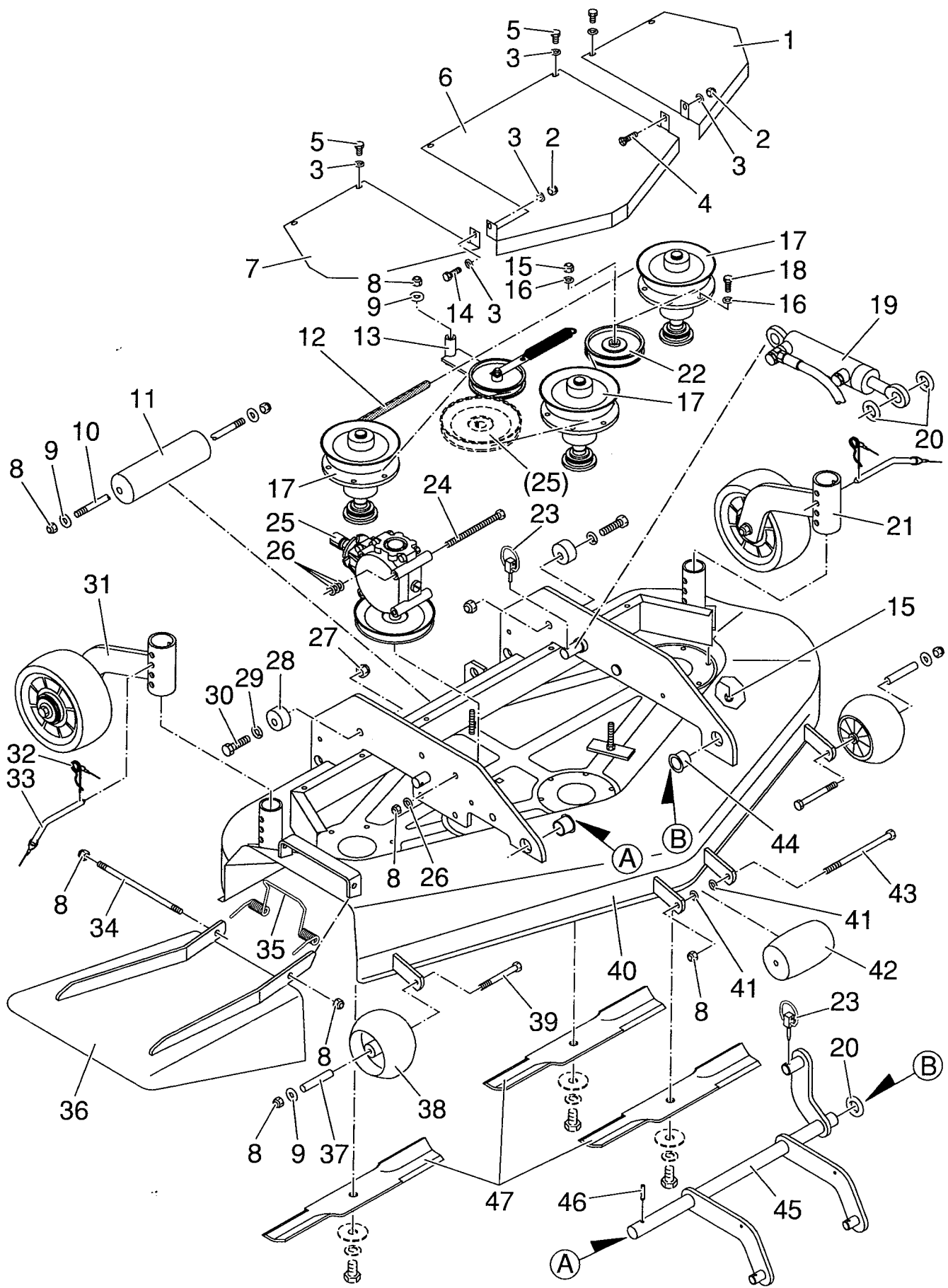
Dans le cas où des réparations deviennent nécessaires, veillez à ce que seulement des pièces de rechange originales soient utilisées. Car seulement les pièces de rechange originales vous garantissent que vous pouvez compter constamment à ce que votre machine est prête à fonctionner.



Anbauteile Gelenkwelle
Mounting parts cardan shaft
Pièces de montage arbre articulé

8

Bild Item Rép.	Best.-Nr. PN Réf. No.	Stck. Qty. Qté.	Teilbezeichnung	Description	Désignation	Abmessungen Measurement Mesurage	DIN ISO
1	105-614	8	Sechskantmutter	Hexagon nut	Ecrou à 6 pans	M 20	934
2	105-615	2	Kreuzgelenk	Cardan joint	Cardan		
3	105-616	1	Koppelhalter, re.	Coupling retainer, right hand side	Module de couplage, droit		
4	71-009	8	Klappstecker	Folding plug	Broche	5 x 32	11023
5	105-617	1	Koppel, re	Coupling module, right hand side	Module de couplage, droit		
6	105-618	1	Gelenkwelle	Cardan shaft	Arbre articulé		
7	105-619	1	Koppel, li	Coupling module, left hand side	Module de couplage, à gauche		
8	105-620	1	Koppelhalter, li	Coupling retainer, left hand side	Module de couplage, à gauche		
9	05-381	8	Scheibe	Washer	Rondelle	B 21	125
10	105-621	2	Koppel, oben	Upper coupling	Bielle supérieure		
11	105-622	2	Bolzen	Bolt	Boulon		
12	02-591	2	Schmiernippel	Grease nipple	Graisser	AM 8 x 1	71412
13	15-099	2	Zylinderschraube	Cylinder screw	Vis à cylindre	M 10 x 40	7984
14	05-376	4	Scheibe	Washer	Rondelle	B 10,5	125
15	05-336	2	Sechskantmutter	Hexagon nut	Ecrou à 6 pans	M 10	934
16	105-623	2	Stütze	Support	Support		



Mähergehäuse - Prallblech - Verkleidung - Mähmesser
Mower housing - Protective plate - Covering - Mowerblade
Carter de tondense - Tôle de protection - Revêtement - Lame coupe

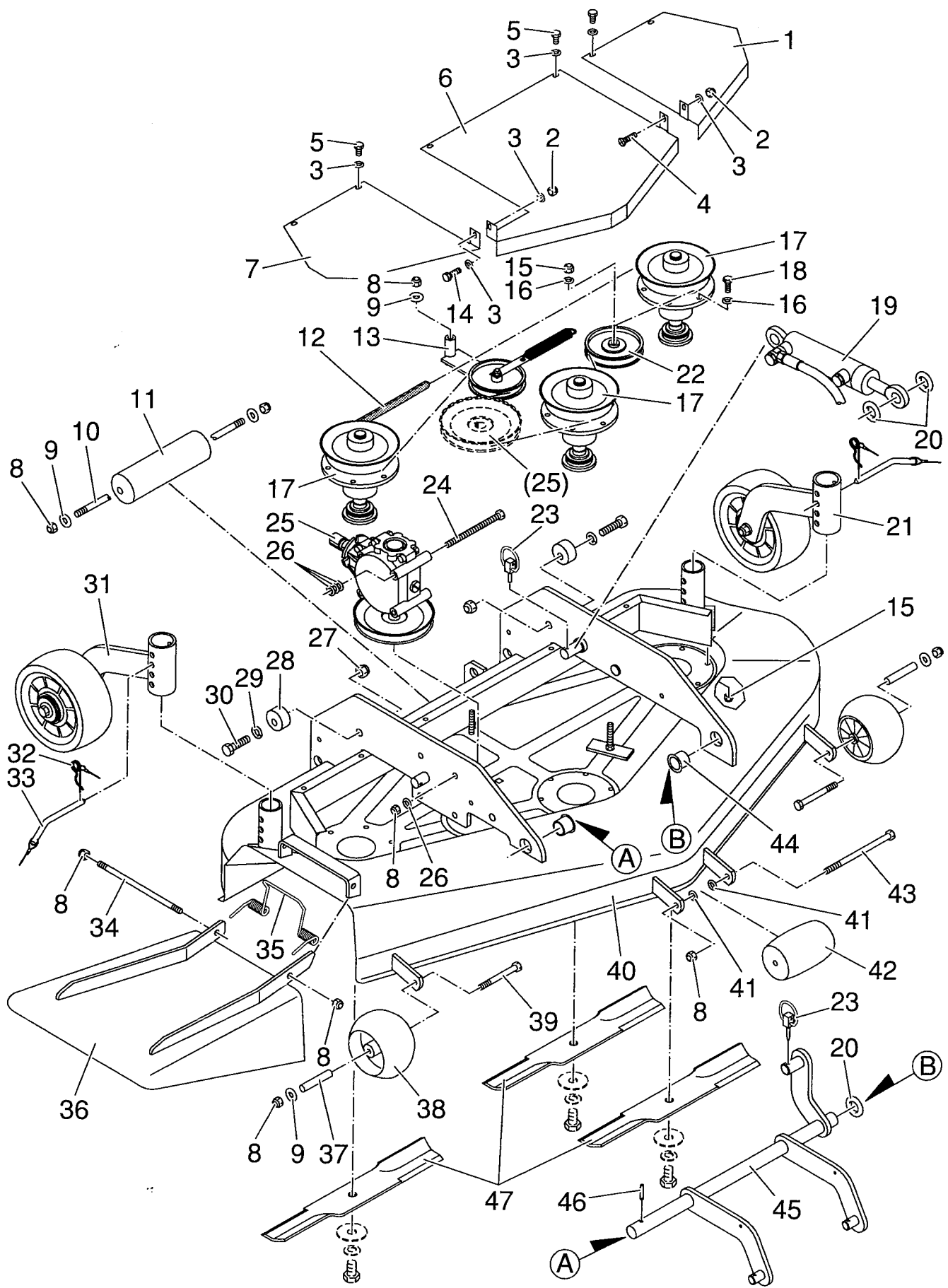
10

Bild Item Rép.	Best.-Nr. PN Réf. No.	Stck. Qty. Qté.	Teilbezeichnung	Description	Désignation	Abmessungen Measurement Mesurage	DIN ISO
1		1	Verkleidung, links	Covering, left hand side	Revêtement, à gauche		
2	05-152	2	Sechskantmutter	Hexagon nut	Ecrou à 6 pans	M 6	985
3	05-373	9	Scheibe	Washer	Rondelle	B 6,4	125
4	02-131	1	Senkschraube	Countersunk screw	Vis noyée	M 6 x 20	965
5	10-450	6	Sechskantschraube	Hexagon bolt	Vis à 6 pans	M 6 x 12	933
6		1	Verkleidung, mitte	Covering, middle	Revêtement, centre		
7		1	Verkleidung, rechts	Covering, right hand side	Revêtement, droit		
8	05-150	12	Sechskantmutter	Hexagon nut	Ecrou à 6 pans	M 10	985
9	04-652	5	Scheibe	Washer	Rondelle	B 10,5	9021
10	69-325	1	Welle	Shaft	Arbre		
11	69-323	1	Rolle	Roller	Galet		
12	105-107	1	Keilriemen	V-belt	Courroie trapézoïdale	17 x 2850 LI	
13		1	Spannrolle, kpl.	Tensioning sheare, complete	Galet tendeur, complète		
14	05-302	1	Sechskantschraube	Hexagon bolt	Vis à 6 pans	M 6 x 20	933
15	05-151	19	Sechskantmutter	Hexagon nut	Ecrou à 6 pans	M 8	985
16	05-375	19	Scheibe	Washer	Rondelle	B 8,4	125
17		3	Messerlagerung, kpl.	Blade bearing complete	Porte-lame, compl.		
18	05-310	18	Sechskantschraube	Hexagon bolt	Vis à 6 pans	M 8 x 25	933
19		1	Hydraulik	Hydraulic	Hydraulique		
20	05-381	3	Scheibe	Washer	Rondelle	B 21	125
21		1	Rad, kpl. li	Wheel assembly left hand side	Roue, compl. à gauche		
22	105-106	1	Umlenkrolle	Turning roller	Poulie de guidage		
23	71-009	2	Klappstecker	Folding plug	Broche	5 x 32	11023
24	103-155	4	Sechskantschraube	Hexagon bolt	Vis à 6 pans	M 10 x 130	933
25		1	Getriebe, kpl.	Gear box assembly	Engrenage, compl.		
26	05-376	16	Scheibe	Washer	Rondelle	B 10,5	125
27	05-149	2	Sechskantmutter	Hexagon nut	Ecrou à 6 pans	M 12	985
28	105-627	2	Exzenter	Cam	Came		
29	105-628	2	Federring	Spring washer	Rondelle-ressort	12	127
30	12-106	2	Sechskantschraube	Hexagon bolt	Vis à 6 pans	M 12 x 45	933
31		1	Rad, kpl. re.	Wheel assembly, right hand side	Roue, compl. droit		
32	74-127	2	Federstecker	Spring loaded pin	Goupille à ressort	2,5	11024
33	69-328	2	Vorstecker	Setent pin	Goupille de retenue		
34	105-629	1	Stange	Rod	Tige		
35	105-630	1	Biegefeder	Spiral spring	Ressort à spirale		
36	105-631	1	Prallblech	Protective plate	Tôle de protection		
37	105-632	2	Hülse	Sleeve	Douille		
38	105-633	2	Rad	Wheel	Roue		
39	105-634	2	Sechskantschraube	Hexagon bolt	Vis à 6 pans	M 10 x 90	931
40	105-635	1	Mähergehäuse	Mower housing	Carter de tondense		
41	52-578	2	Scheibe	Washer	Rondelle		
42	21-205	1	Rolle	Roller	Galet		

Forts. Seite 5a

Cont. on page 5a

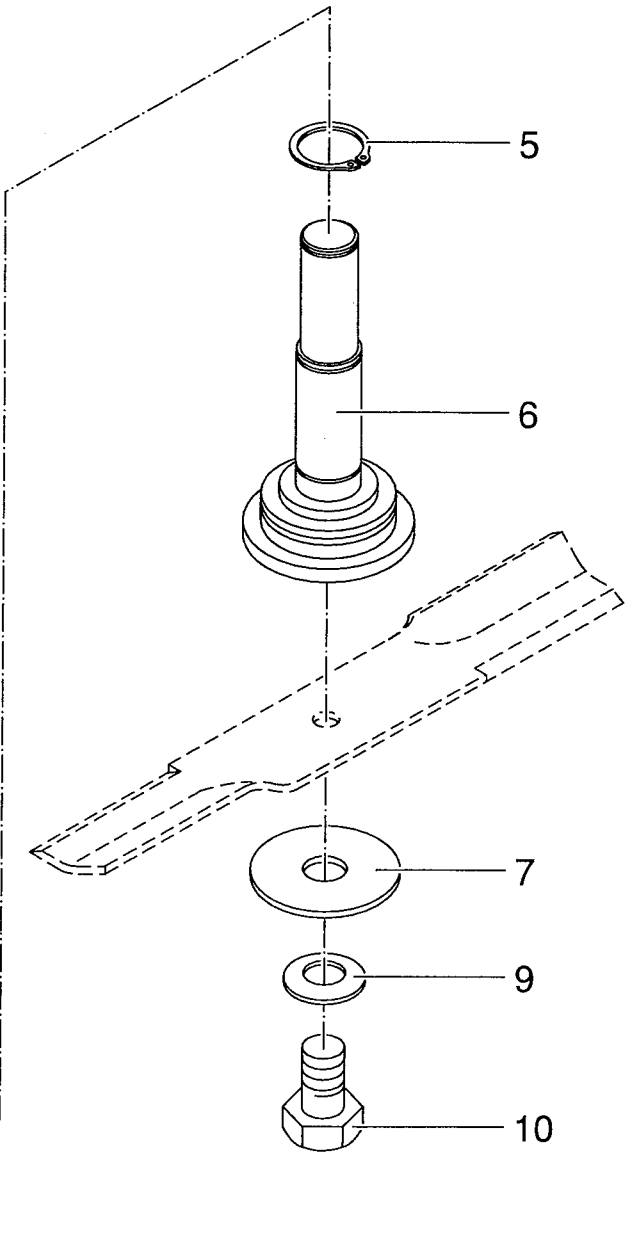
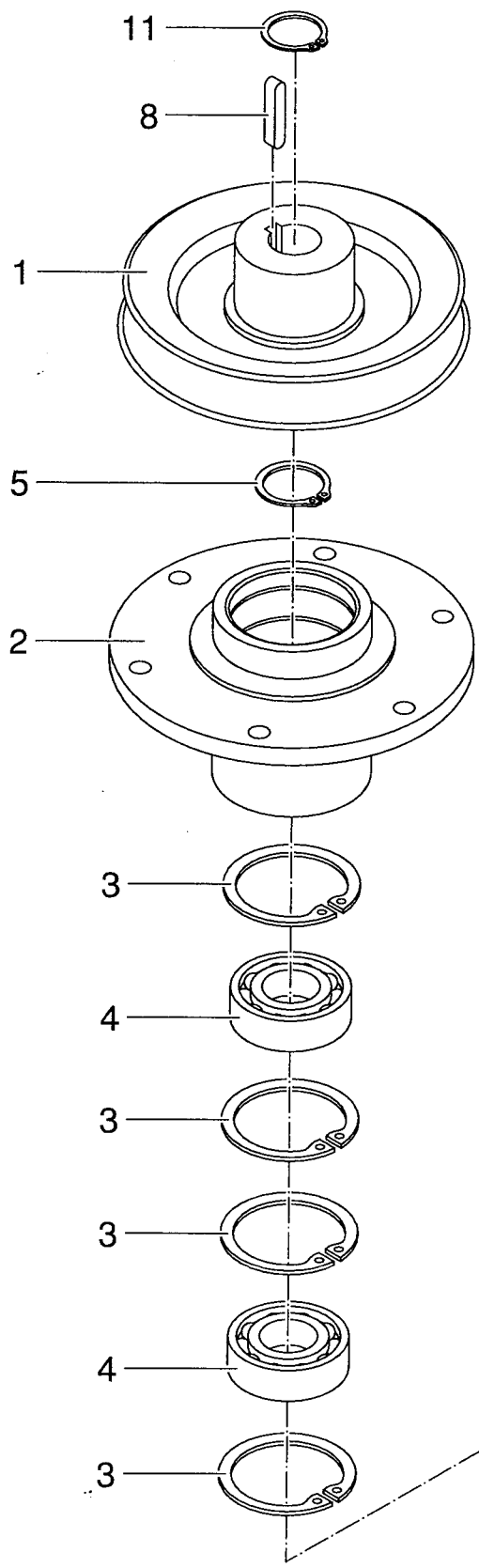
Suite à la page 5a



Mähergehäuse - Prallblech - Verkleidung - Mähmesser
Mower housing - Protective plate - Covering - Mowerblade
Carter de tondense - Tôle de protection - Revêtement - Lame coupe

12

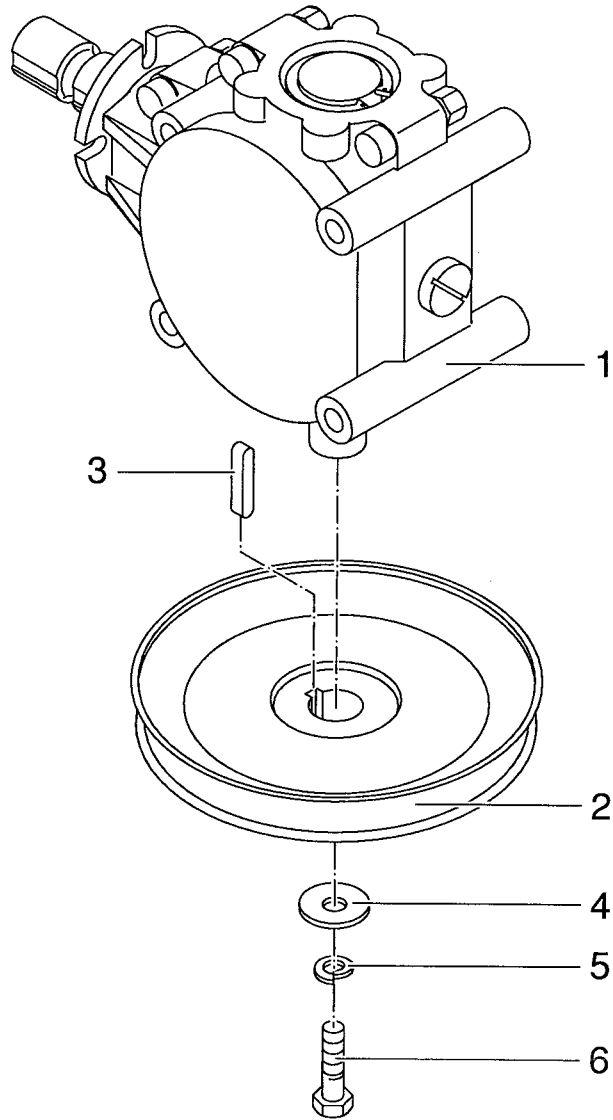
Bild Item Rép.	Best.-Nr. PN Réf. No.	Stck. Qty. Qté.	Teilbezeichnung	Description	Désignation	Abmessungen Measurement Mesurage	DIN ISO
43	12-210	1	Sechskantschraube	Hexagon bolt	Vis à 6 pans	M 10 x 160	931
44	02-210	2	Buchse	Bushing	Bouille	BB 2522 DU-B	
45	105-624	1	Aushub	Excavation	Déblai		
46	105-625	1	Spannstift	Spring dowel sleeve	Goupille de serrage	5 x 30	1481
47	16-151	3	Mähmesser	Mowerblade	Lame coupe		



Messerlagerung
Blade bearing
Palier de lame coupe

14

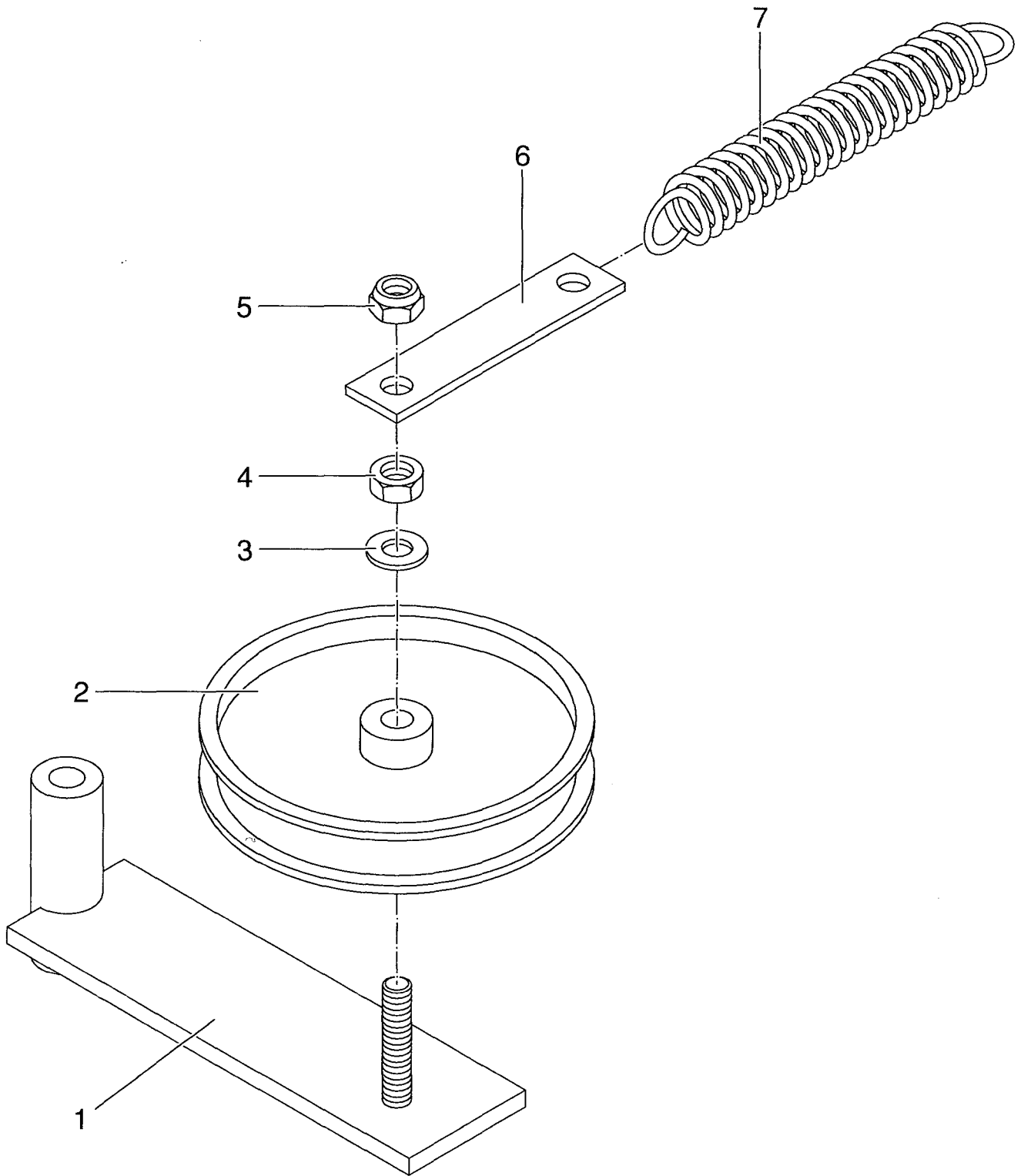
Bild Item Rép.	Best.-Nr. PN Réf. No.	Stck. Qty. Qté.	Teilbezeichnung	Description	Désignation	Abmessungen Measurement Mesurage	DIN ISO
1	105-108	1	Keilriemenscheibe	V-belt pulley	Poulie de la courroie trapézoïdale		
2	102-513	1	Lagergehäuse	Bearing housing	Carter du palier		
3	02-247	4	Sicherungsring	Retaining ring	Circlips	52x2	472
4	07-755	2	Kugellager	Ball bearing	Roulement à billes	6205-2RS	625
5	02-246	2	Sicherungsring	Retaining ring	Circlips	25x1,2	471
6	102-517	1	Messerwelle	Blade shaft	Arbre, lame de coupe		
7	53-986	1	Scheibe	Washer	Rondelle		
8	105-112	1	Paßfelder	Adjust spring	Ressort d'ajustage	A 6x6x32	6885
9	53-989	1	Tellerfelder	Cup spring	Ressort à disque	B 31,5	2093
10	97-407	1	Sechskantschraube	Hexagon bolt	Vis à 6 pans	M16x1,5x30	961
11	12-536	1	Sicherungsring	Retaining ring	Circlips	22x1,2	471



Getriebe
Gear box
Engrenage

16

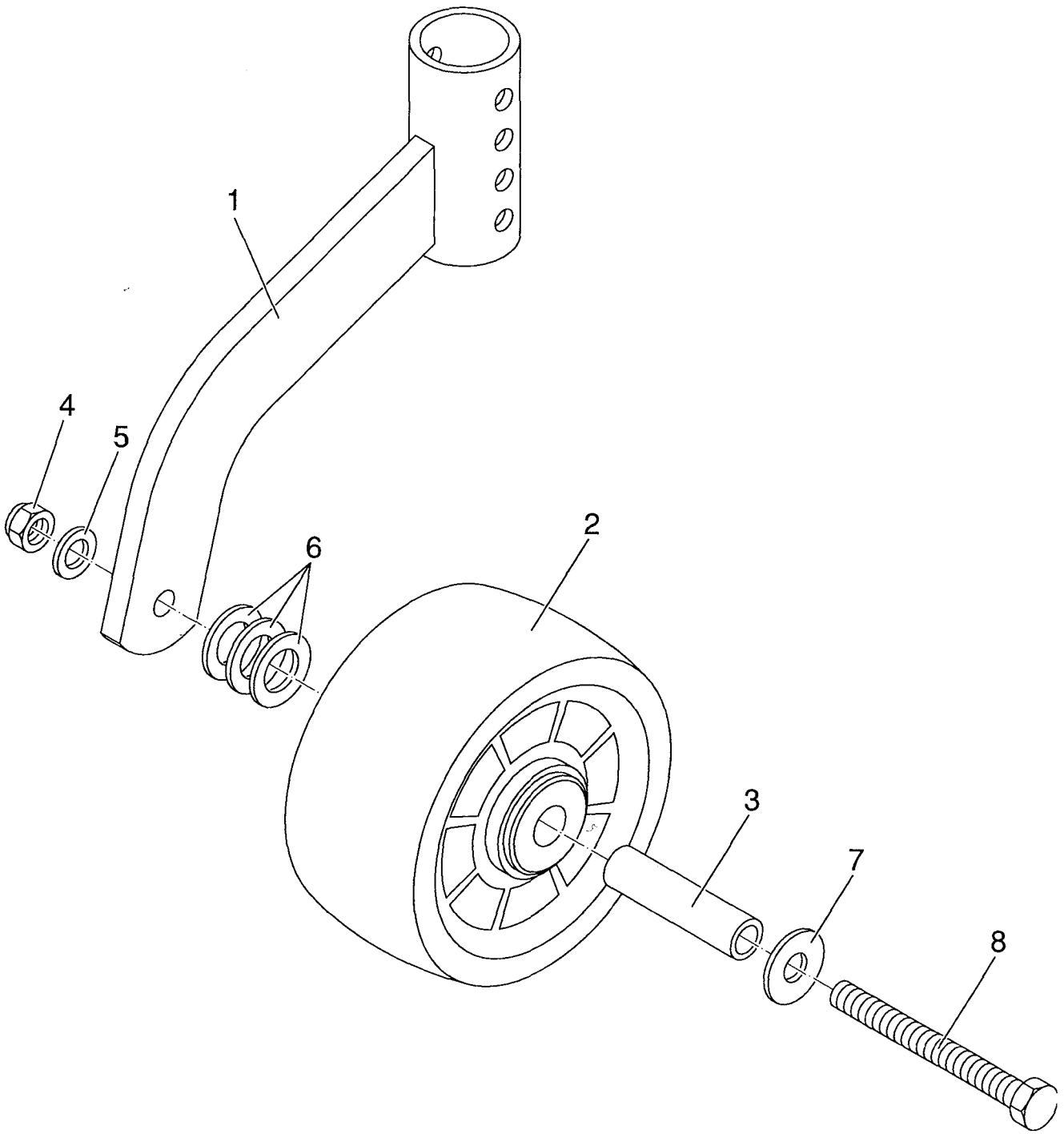
Bild Item Rép.	Best.-Nr. PN Réf. No.	Stck. Qty. Qté.	Teilbezeichnung	Description	Désignation	Abmessungen Measurement Mesurage	DIN ISO
1	105-639	1	Getriebe	Gear box	Engrenage		
2	105-640	1	Keilriemenscheibe	V-belt pulley	Poulie de la courroie trapézoïdale		
3	105-112	1	Paßfelder	Adjust spring	Ressort d'ajustage	A6x6x32	6885
4	02-707	1	Scheibe	Washer	Rondelle	R9	440
5	05-341	1	Federring	Spring washer	Rondelle-ressort	A8	128
6	05-469	1	Sechskantschraube	Hexagon bolt	Vis à 6 pans	M8x35	933



Spannrolle
Tensioning sheare
Galet tendeur

18

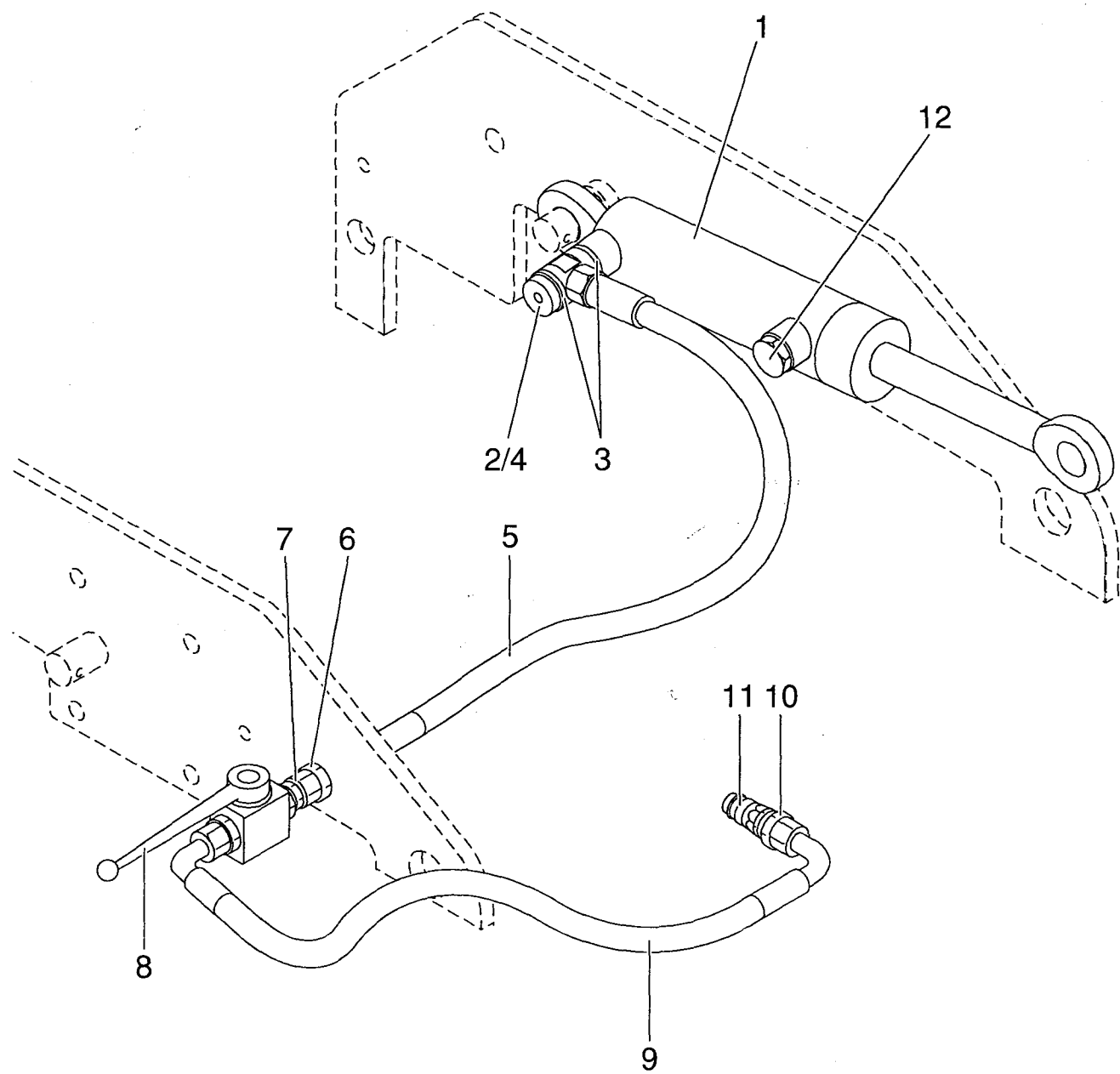
Bild Item Rép.	Best.-Nr. PN Réf. No.	Stck. Qty. Qté.	Teilbezeichnung	Description	Désignation	Abmessungen Measurement Mesurage		DIN ISO
1	105-641	1	Spannhebel	Tensioning lever	Levier de tension			
2	105-106	1	Spannrolle	Tensioning sheare	Galet tendeur			
3	05-375	1	Scheibe	Washer	Rondelle	B 8,4	125	
4	05-335	1	Sechskantmutter	Hexagon nut	Ecrou à 6 pans	M 8	934	
5	05-151	1	Sechskantmutter	Hexagon nut	Ecrou à 6 pans	M 8	985	
6	105-642	1	Spannblech	Tension plate	Tole de serrage			
7	105-120	1	Zugfeder	Pull spring	Ressort de traction			



Stützrad
Support wheel
Roue de appui

20

Bild Item Rép.	Best.-Nr. PN Réf. No.	Stck. Qty. Qté.	Teilbezeichnung	Description	Désignation	Abmessungen Measurement Mesurage	DIN ISO
1	105-643	1	Radhalter	Wheel carrier	Port-roue		
2	105-407	1	Rad	Wheel	Roue		
3	105-644	1	Buchse	Bushing	Bouille		
4	05-149	1	Sechskantmutter	Hexagon nut	Ecrou à 6 pans	M12	985
5	05-377	1	Scheibe	Washer	Rondelle	B13	125
6	05-381	3	Scheibe	Washer	Rondelle	B21	125
7	13-261	1	Scheibe	Washer	Rondelle	B13	9012
8	12-800	1	Sechskantschraube	Hexagon bolt	Vis à 6 pans	M12x110	933



Hydraulik
Hydraulic
Hydraulique

22

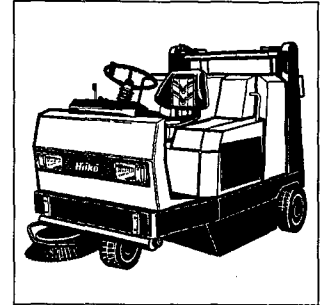
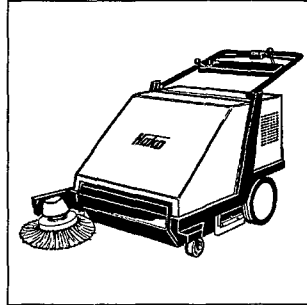
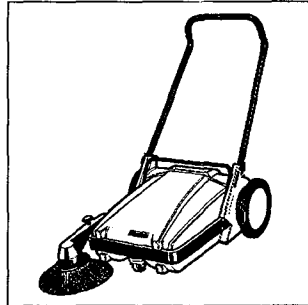
Bild Item Rép.	Best.-Nr. PN Réf. No.	Stck. Qty. Qté.	Teilbezeichnung	Description	Désignation	Abmessungen Measurement Mesurage	DIN ISO
1	105-645	1	Hydraulikzylinder	Hydraulic cylinder	Vérin hydraulique		
2	87-205	1	Scheibe	Washer	Rondelle		
3	07-521	2	Usiring	Usit-ring	Bague Usit	12,7x18x1,5	
4	07-783	1	Hohlschraube	Hollow screw	Vis à creux	A6	7623
5	19-194	1	H.D.-Schlauch	H.P. hose	Tuyau H.P.	NW 6x700	
6	105-647	1	Schottverschraubung	Bulkhead screw fitting	Vissage de cloison		
7	105-648	1	Dichtkegel- verschraubung	Conical nipple screw fitting	Boulonnage conique d'étanchéification		
8	105-649	1	Blockkugelhahn	Block ball valve	Robinet à boisseau sphérique de bloc		
9	105-650	1	Hydraulikschlauch	Hydraulic hose	Tuyau hydraulique		
10	105-651	1	Gewinde- Einschraubverschr.	Threaded screw in fitting	Fermeture vissée		
11	105-652	1	Hydraulikstecker	Hydraulic connector	Connecteur hydraulique		
12	105-654	1	Schraubstopfen	Screwed plug	Bouchon visser	700/M12x1,5	

Hako – der große Spezialist

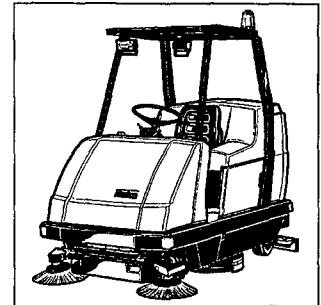
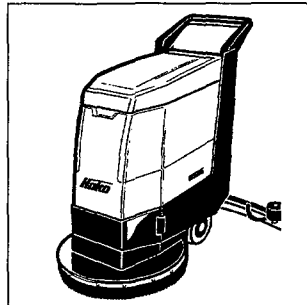
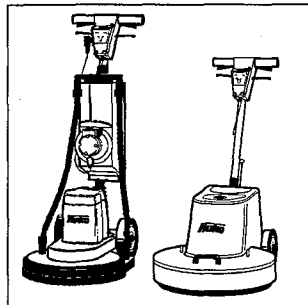
Hako – the great specialist

Hako – le grand spécialiste

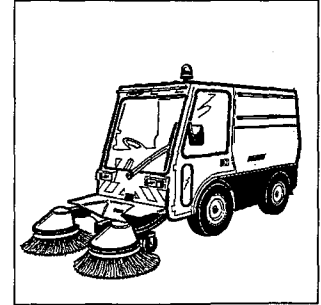
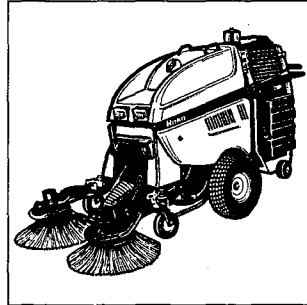
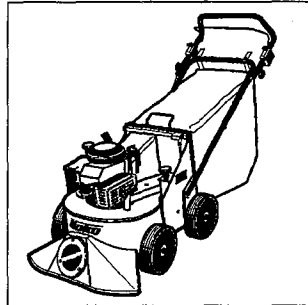
Kehrmaschinen
Power sweepers
Balayeuses



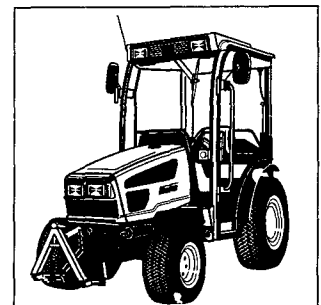
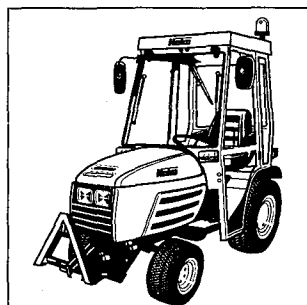
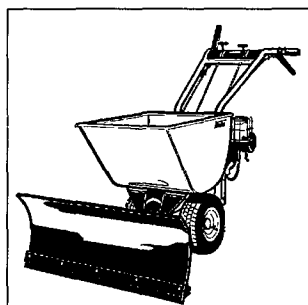
Poliermaschinen
**Schrubb-
automaten**
Polishers
Scrubbers
Lustreuses
Autolaveuses



**Außenreinigungs-
Maschinen**
**Machines for
outdoor cleaning**
**Machines pour
l'entretien des
surfaces urbaines**



**Mehrzweck-
maschinen**
**Multi-purpose
machines**
**Machines
Polyvalentes**



Hako

Hako-Werke GmbH
Stammwerk und Hauptverwaltung
Hamburger Straße 209-239
D-23843 Bad Oldesloe
Telefon (0 45 31) 806-0 · Telefax (0 45 31) 806-338
E-mail: info@hako.com

